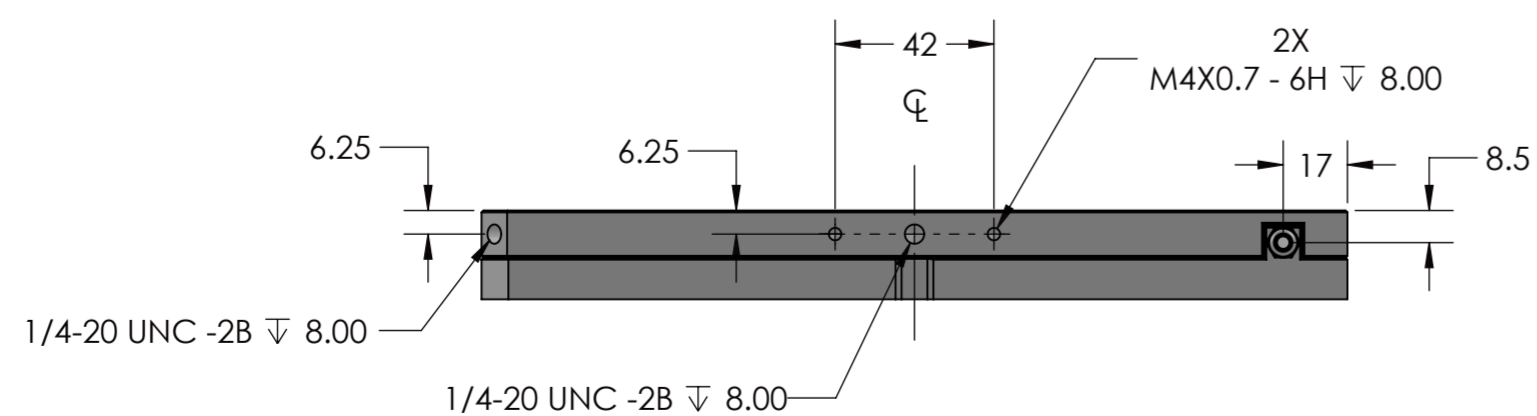
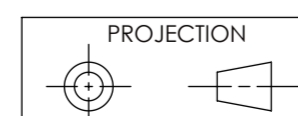


NOTES:  
 1- DIMENSIONS IN mm  
 2- FOR MOUNTING POST



**IMPORTANT:**  
 THIS DOCUMENT IS PROPERTY OF GENTEC ELECTRO-OPTICS, IT CANNOT BE DISTRIBUTED, USED OR REPRODUCED IN WHOLE OR IN PART WITHOUT EXPRESS WRITTEN AUTHORIZATION



| REF.            | REVISION    | DATE                                       | VER | APP |
|-----------------|-------------|--|-----|-----|
| TOLERANCE       |             |  |     |     |
| DEC.            | ±           |  |     |     |
| FRAC.           | ±           |  |     |     |
| ANGLE           | ±           |  |     |     |
| APP.            | L.R. PRR    |  |     |     |
| VER.            | 2024-04-29  |  |     |     |
| APP.            | S.THIVIERGE |  |     |     |
| DATE            | 2024-04-25  |  |     |     |
| SCALE           | 1:2         |  |     |     |
| <b>gentec-ε</b> |             | LAYOUT DRAWING<br>QE195LP-S-MB<br>SÉRIE QE |     |     |
| SK-10457        |             | A2   |     |     |