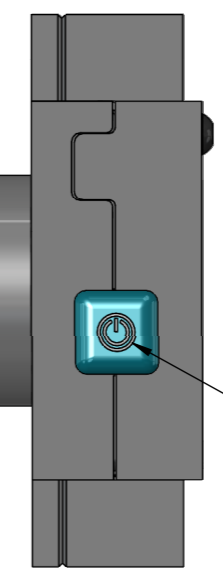
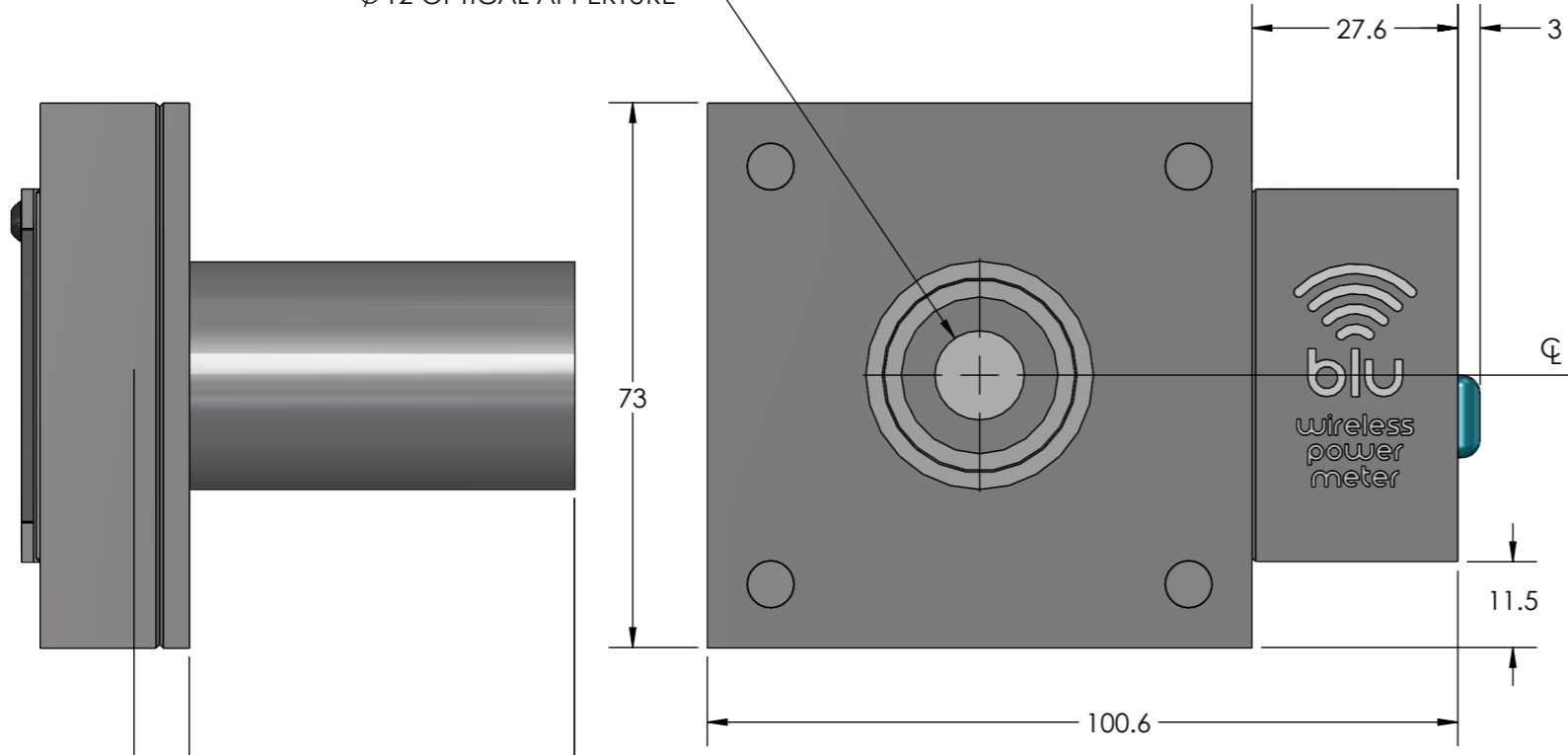
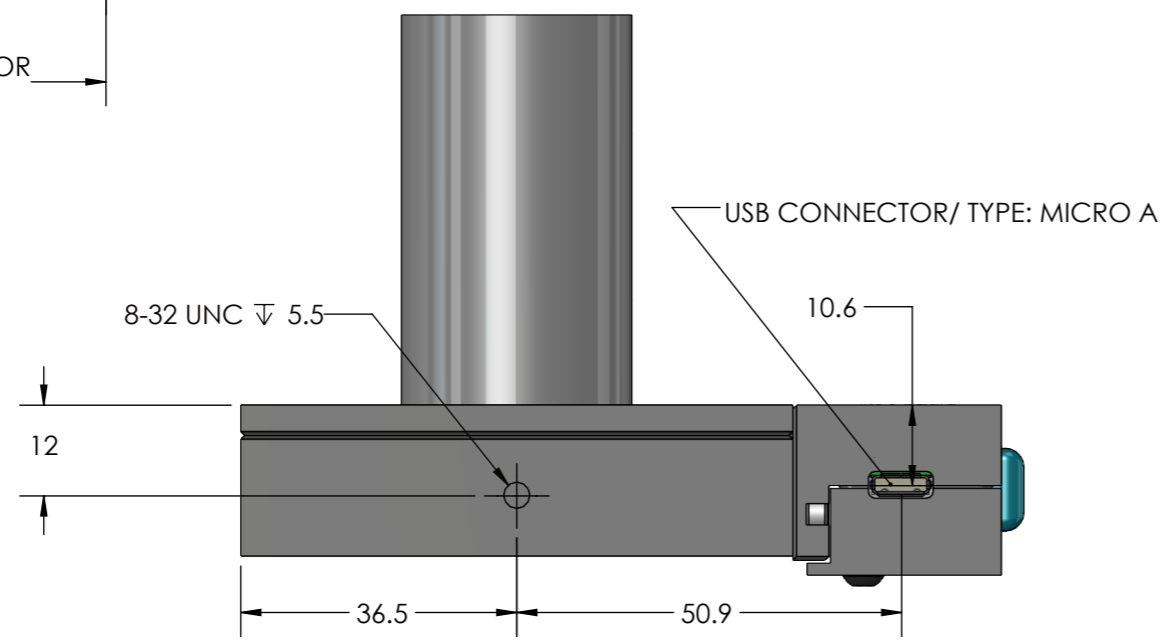
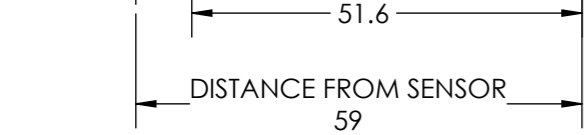


Ø 12 OPTICAL APPERTURE

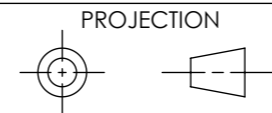


NOTE:  
1-COTE IN mm



8-32 UNC ∇ 5.5

**IMPORTANT:**  
THIS DOCUMENT  
IS PROPERTY OF  
GENTEC ELECTRO-  
OPTICS, IT CANNOT  
BE DISTRIBUTED, USED  
OR REPRODUCED IN  
WHOLE OR IN PART  
WITHOUT EXPRESS  
WRITTEN AUTHORIZATION



REF.	REVISION	DATE	VER	APP
<p>TOLERANCE</p> <p>DEC. ±</p> <p>FRAC. ±</p> <p>ANGLE ±</p> <p>√</p>				
APP.		<p><b>gentec-EO</b></p> <p>LAYOUT DRAWING</p> <p>XLP-12/BLU</p> <p>BLU</p>		
VER.				
DATE 2017/03/30		<p><b>SK-9633</b></p>		<p><b>A3</b></p>
S. BOUCHARD				
DATE 2017/03/30				
1:1				