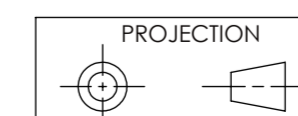


NOTES:  
 1- DIMENSION IN mm.  
 2- THIS IS ONLY AN EXAMPLE. THE COMPLETE ASSEMBLY MAY CHANGE DUE TO SPECIFIC LASER PARAMETERS.  
 3- REFER TO SPECIFIC MANUAL FOR DETECTOR AND BEAMAGE-4M CABLES LENGTH.

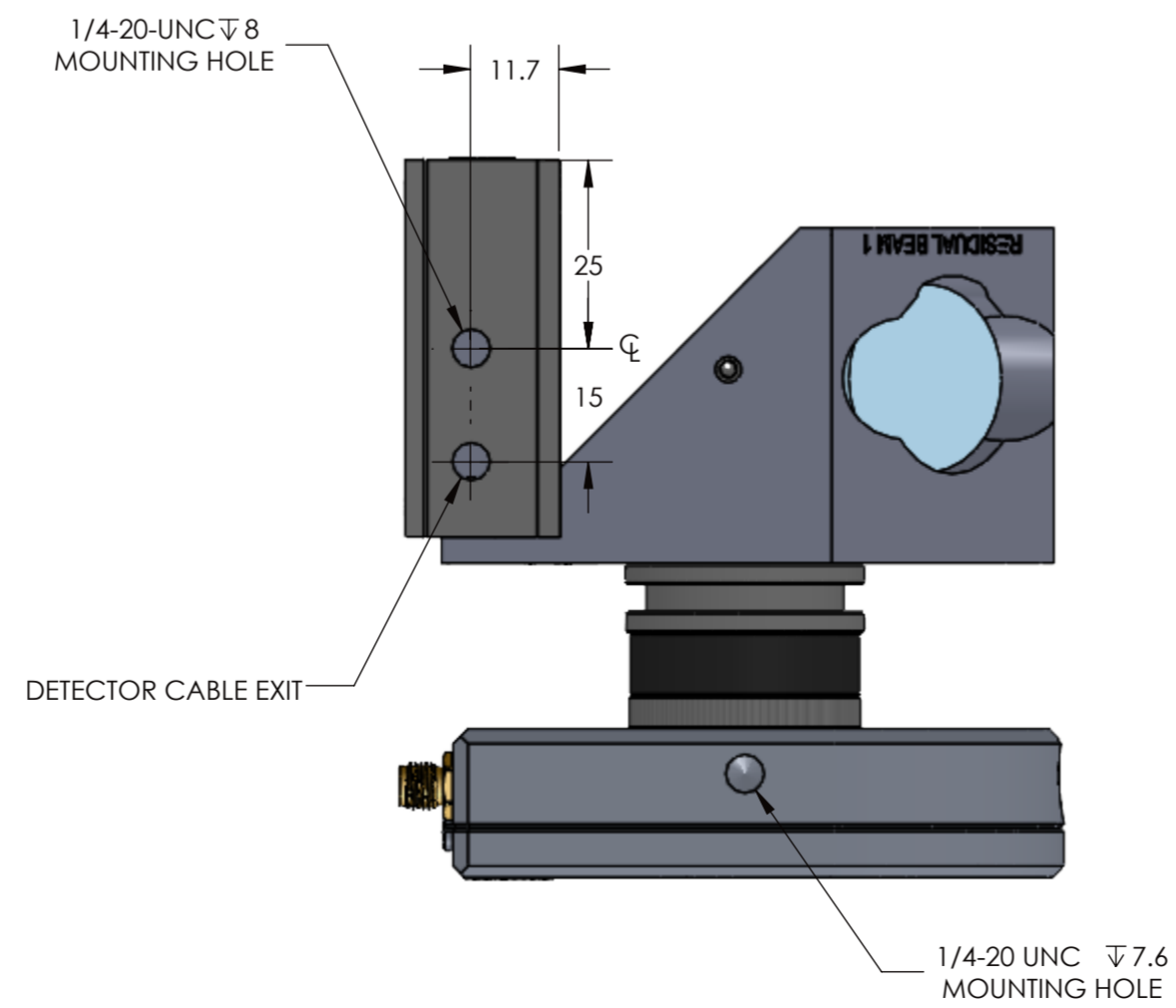
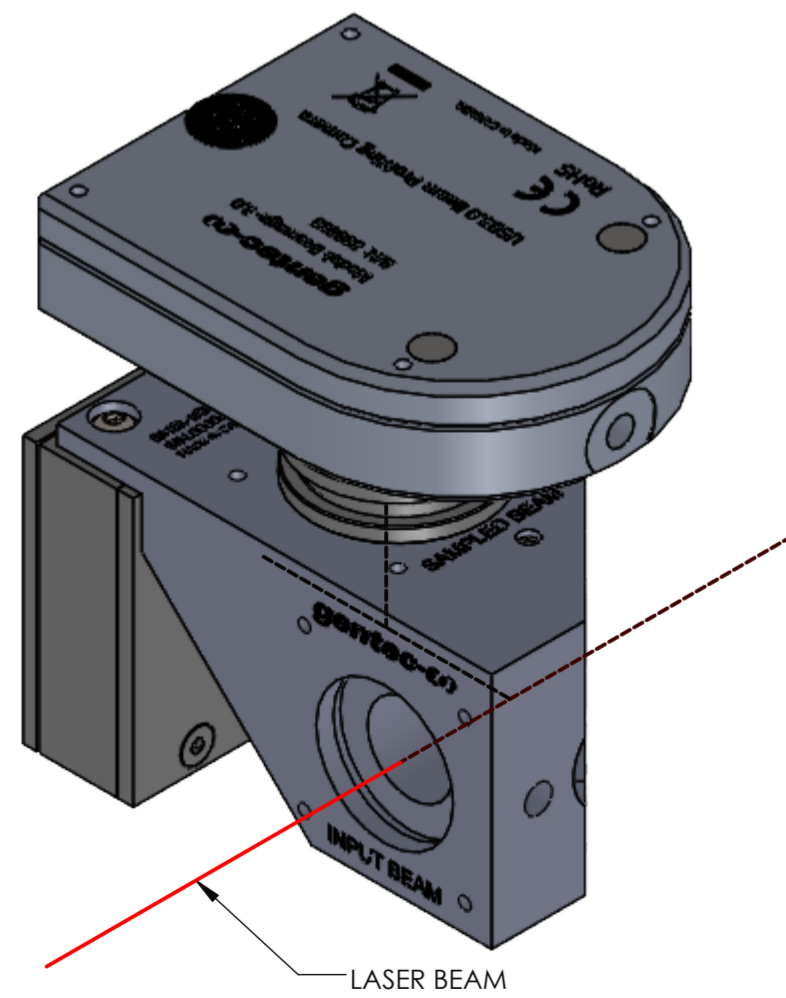
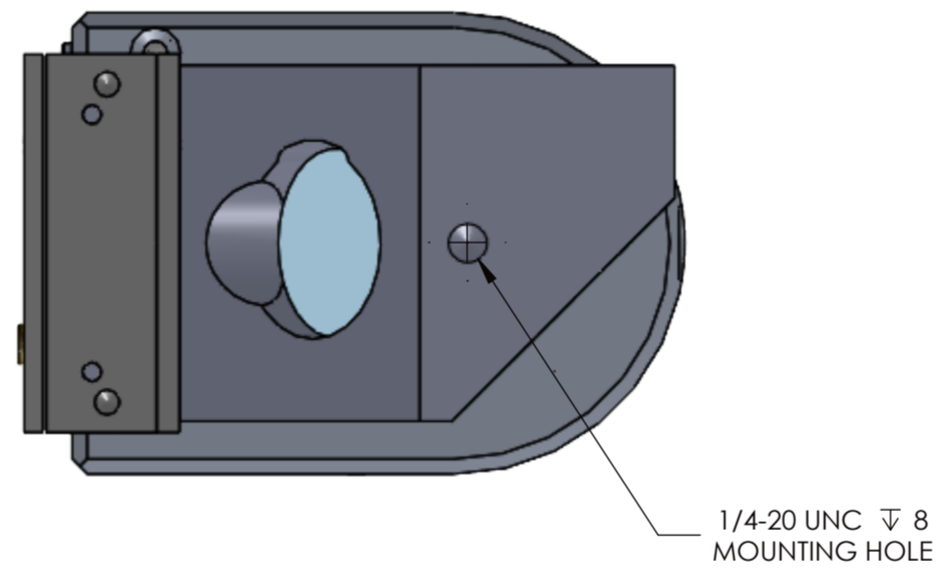
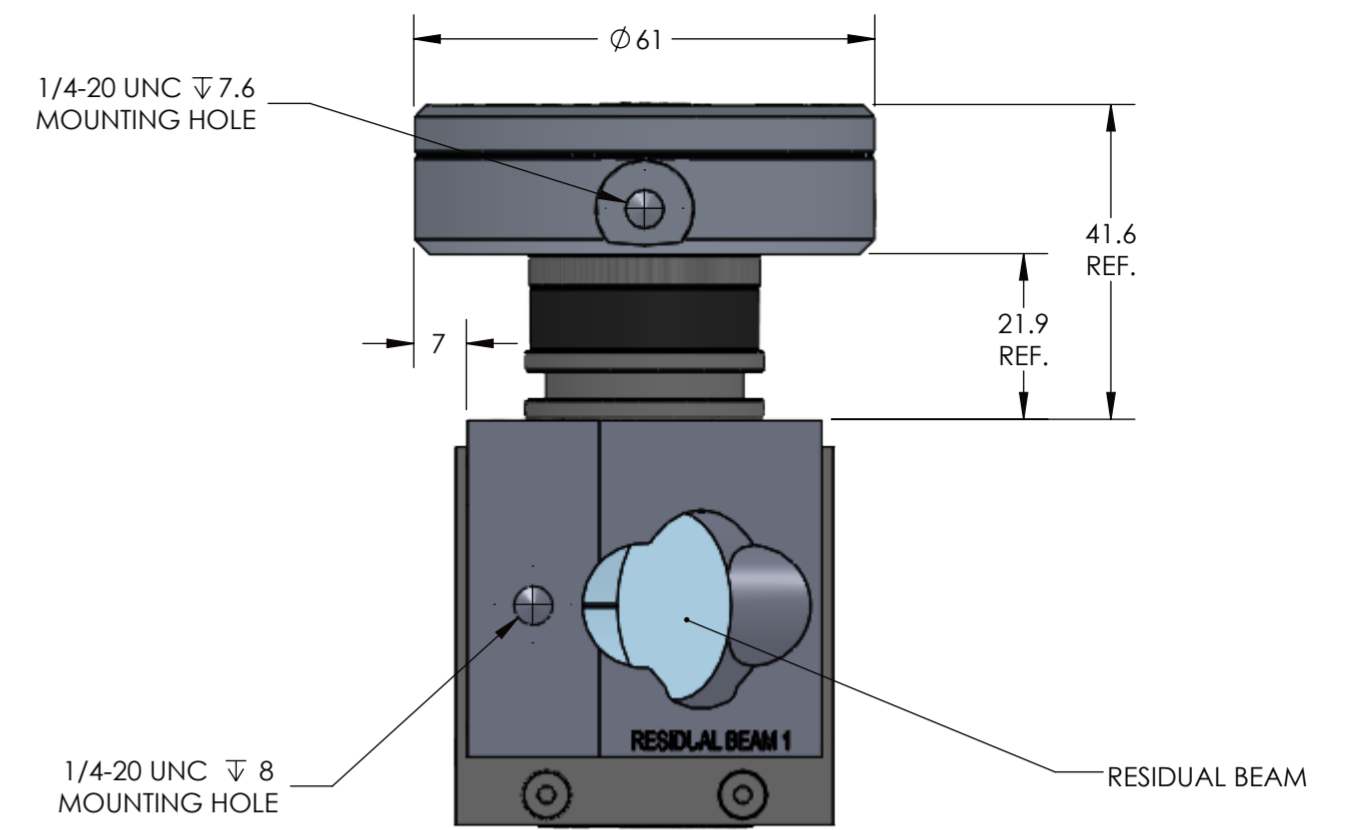
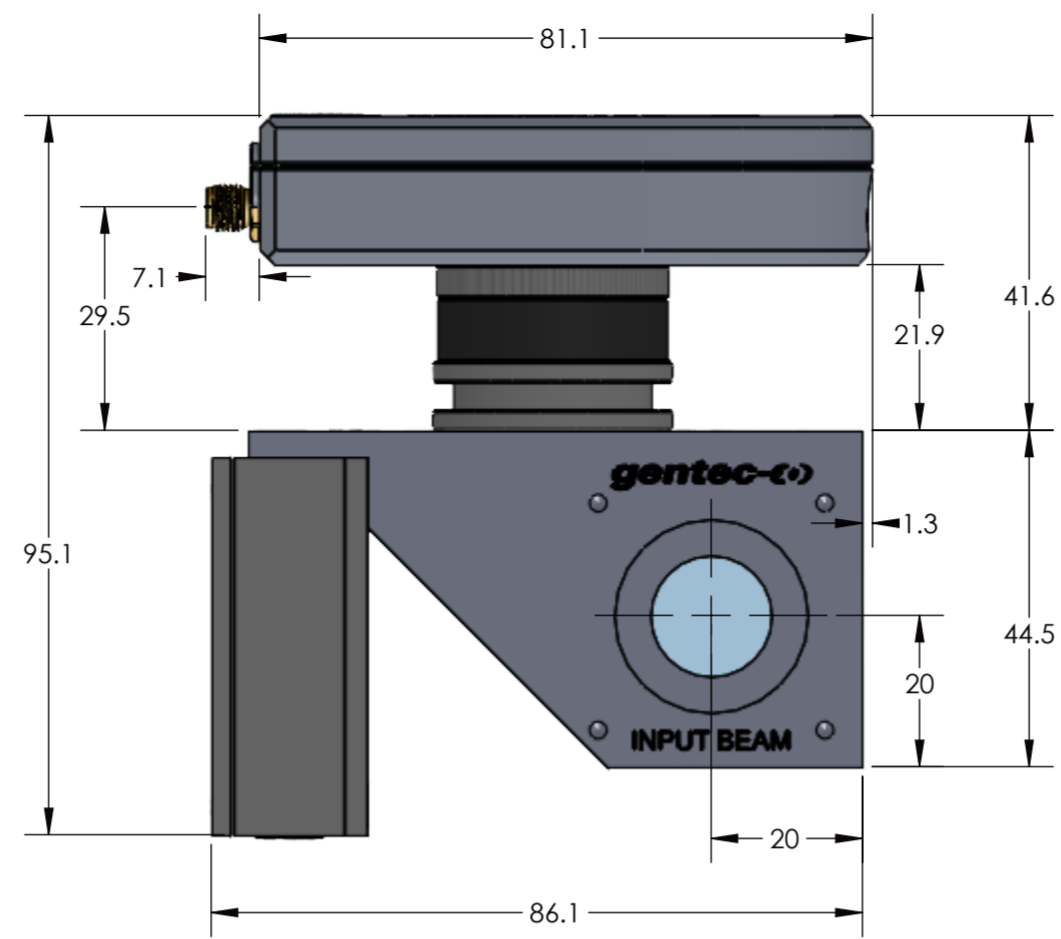
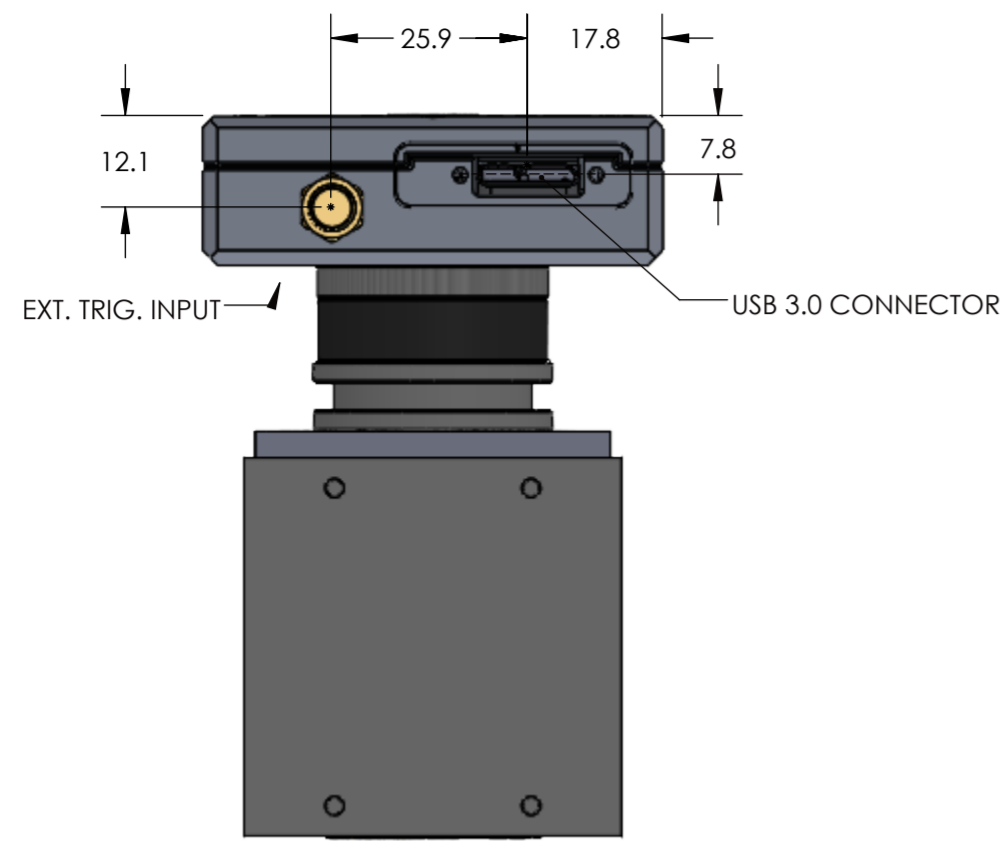
ML 2024-04-24  
 ST 2024-04-17  
 MRS 2024-02-28  
 ST 2024-02-26

REF.	REVISION	DATE	VER	APP
C	MINOR CORRECTION	2024/02/26	ST	MRS
B	SELON DCI-ACI-3459	2022/03/04	ST	
A	SPECIFICATION WITH BEAMAGE-4M ADDED	2018/02/26	SB	

**IMPORTANT:**  
 THIS DOCUMENT IS PROPERTY OF GENTEC ELECTRO-OPTICS, IT CANNOT BE DISTRIBUTED, USED OR REPRODUCED IN WHOLE OR IN PART WITHOUT EXPRESS WRITTEN AUTHORIZATION

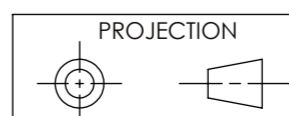


APP. VER.			
S. BOUCHARD		DATE	2018/01/12
		SCALE	1:1
		SK-9790	A2



NOTES:  
 1- DIMENSION IN mm.  
 2- THIS IS ONLY AN EXAMPLE. THE COMPLETE ASSEMBLY MAY CHANGE DUE TO SPECIFIC LASER PARAMETERS.  
 3- REFER TO SPECIFIC MANUAL FOR DETECTOR AND BEAMAGE-4M CABLES LENGTH.

**IMPORTANT:**  
 THIS DOCUMENT IS PROPERTY OF GENTEC ELECTRO-OPTICS, IT CANNOT BE DISTRIBUTED, USED OR REPRODUCED IN WHOLE OR IN PART WITHOUT EXPRESS WRITTEN AUTHORIZATION



REV.	C	SEE PAGE 1 FOR DETAILS
<b>gentec-ε</b>		
APP.	LAYOUT DRAWING	
VER.	BA16K-150S-H5-D0 + BEAMAGE-4M	
	BA ATTENUATOR SERIES	
	S. BOUCHARD	SK-9790
DATE	2018/01/12	A2
	1:1	P 2 OF 2