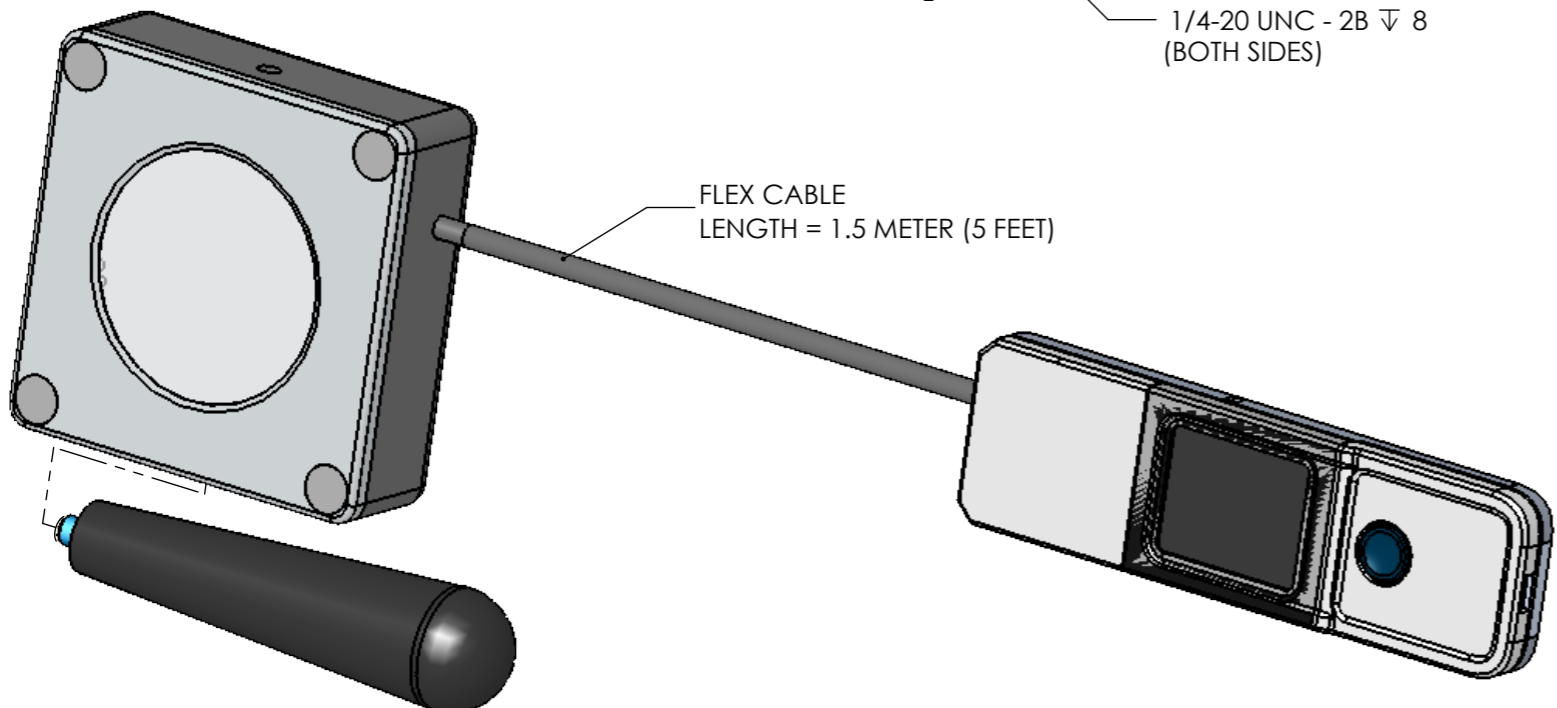
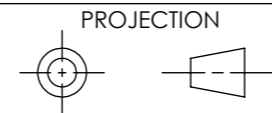


NOTE: DIMENSION IN mm.



**IMPORTANT:**  
THIS DOCUMENT IS PROPERTY OF GENTEC ELECTRO-OPTICS, IT CANNOT BE DISTRIBUTED, USED OR REPRODUCED IN WHOLE OR IN PART WITHOUT EXPRESS WRITTEN AUTHORIZATION



REF.	REVISION	DATE	VER	APP
TOLERANCE				
DEC.	$\pm$			
FRAC.	$\pm$			
ANGLE	$\pm$			
APP.	LAYOUT DRAWING PRONTO-500-IPL			
VER.				
DATE	Ronald VH	SK-9610		
2016/10/07				
3:4		A3		