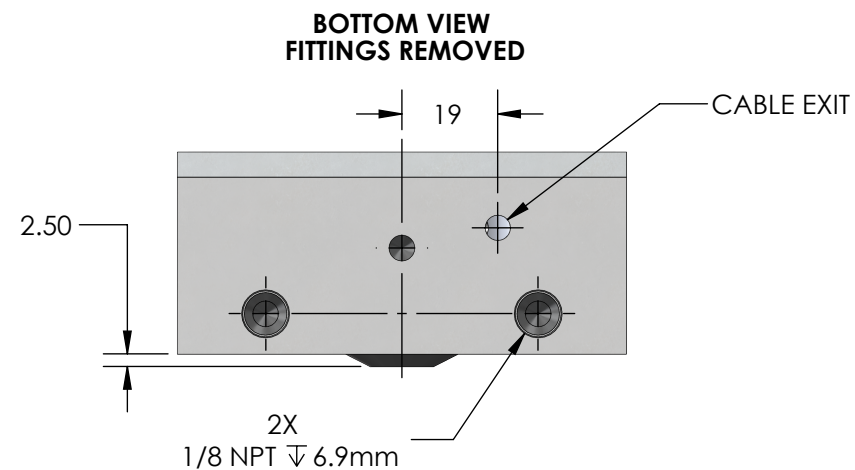
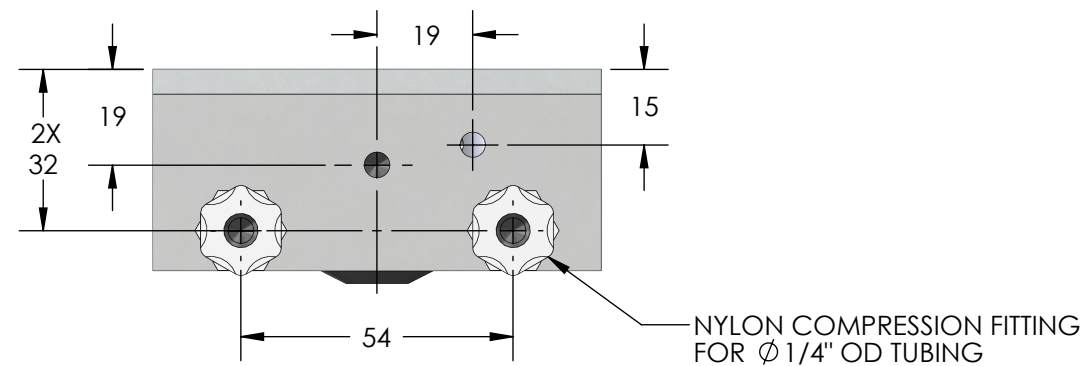
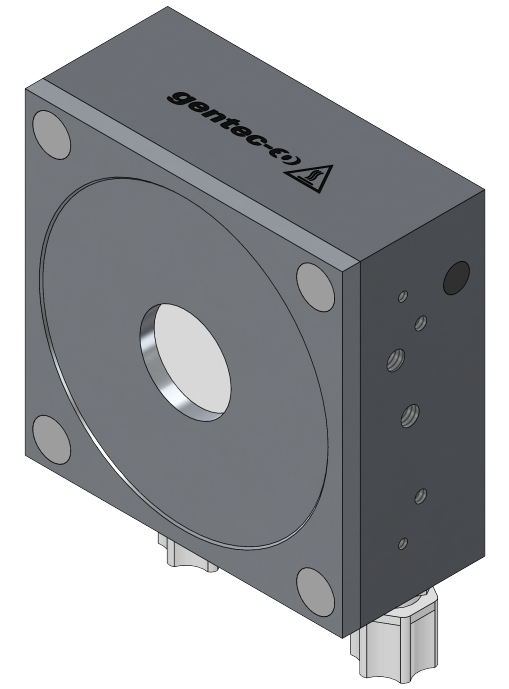
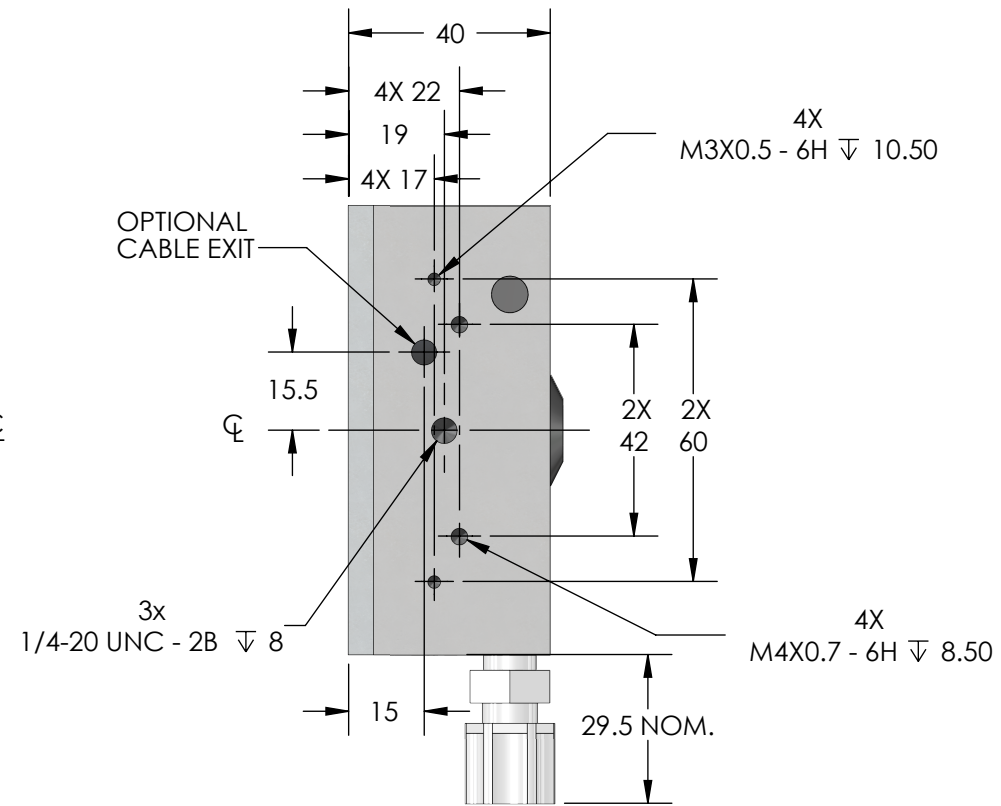
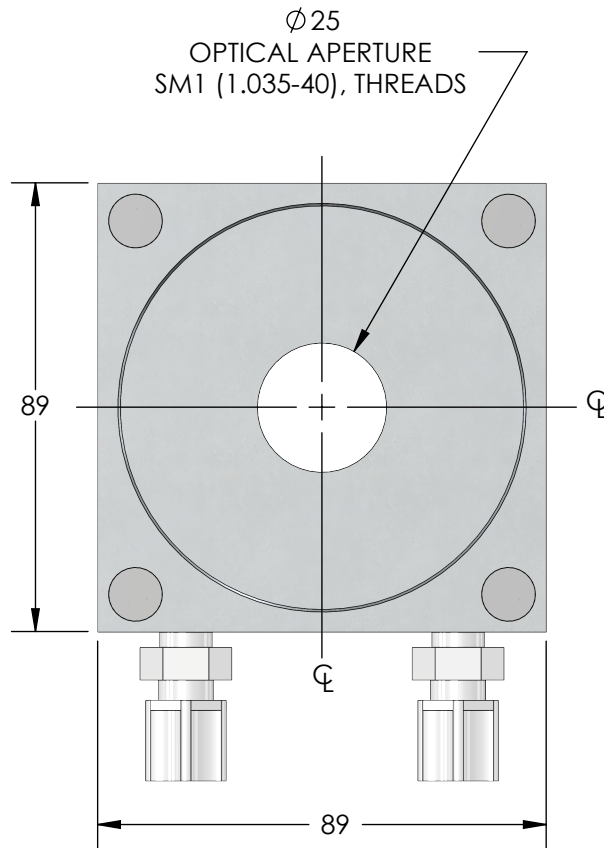
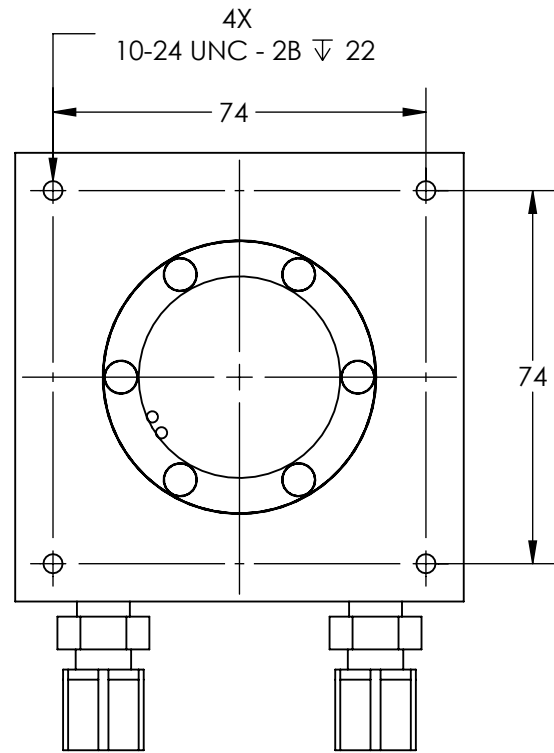
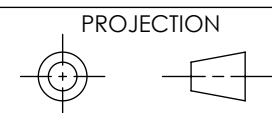


MOUNTING FROM FRONT WITHOUT COVER
SEE NOTE 2



NOTES:
1- DIMENSIONS IN mm
2- FOR MOUNTING FROM THE FRONT WITHOUT A FRONT COVER THE WATTMETER MUST BE FASTENED FROM THE FRONT; USE FOUR 10-24 UNC - 2B FASTENERS.

IMPORTANT:
THIS DOCUMENT IS PROPERTY OF GENTEC ELECTRO-OPTICS, IT CANNOT BE DISTRIBUTED, USED OR REPRODUCED IN WHOLE OR IN PART WITHOUT EXPRESS WRITTEN AUTHORIZATION



			SB	
A	OPTICAL APPERTURE THREAD AS CHANGED	2024-08-21	SB	
REF.	REVISION	DATE	VER	APP
TOLERANCE				
DEC.	±			
FRAC.	±			
ANGLE	±			
APP.	GT J.P.	LAYOUT DRAWING		
VER.	LS			
Ronald VH		UP25M...		
DATE	2011-02-15			
2:3		SK-9101		A3