

**FRONT VIEW, UP55N...**

**UP50/55/60N-40S**

SEE NOTE 4

**UP55/60N-100H**

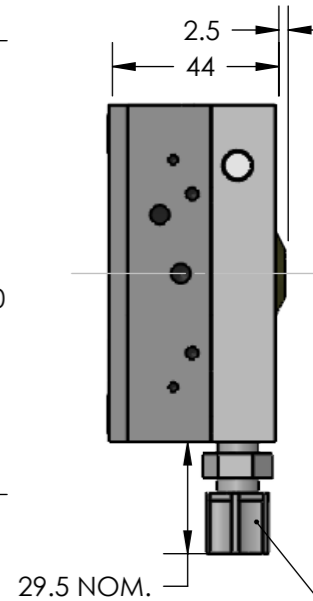
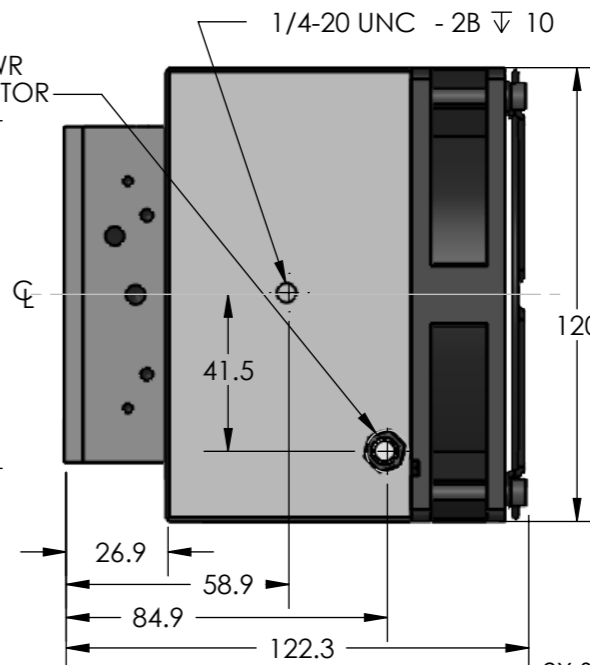
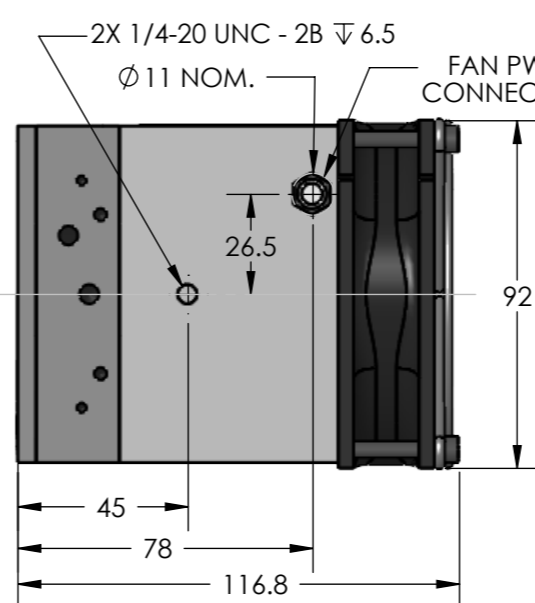
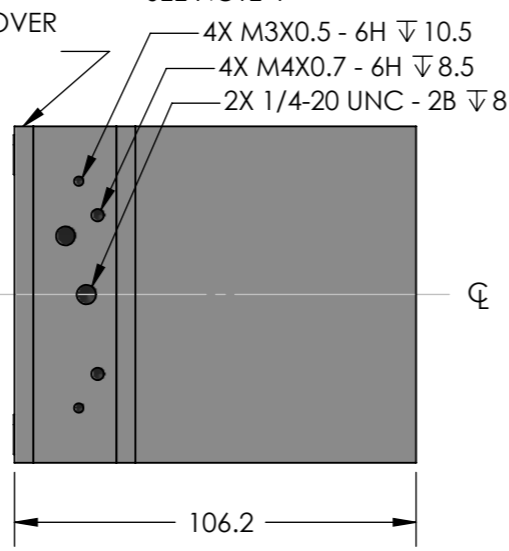
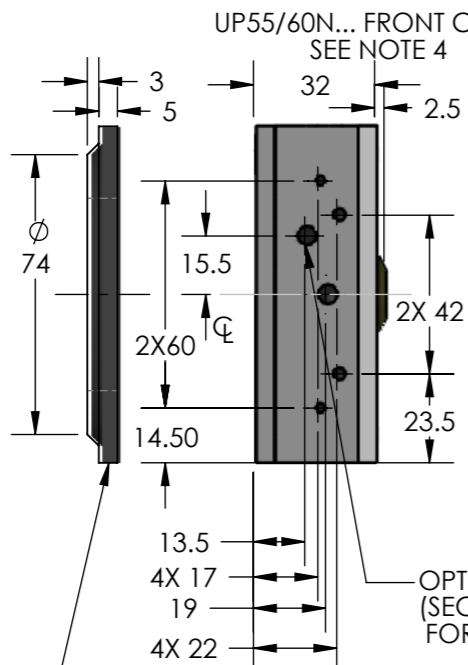
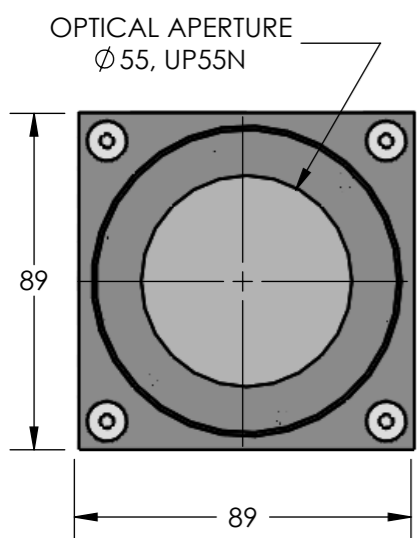
**UP50N-50H**

SEE NOTE 4

**UP55/60N-300F**

**UP55N-xxxF**

**UP55/60N-400W**



UP50N... FRONT COVER SEE P 2 OF 2 FOR DETAILS ALSO SEE NOTE 4

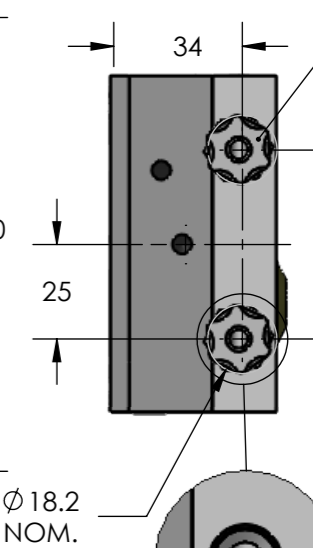
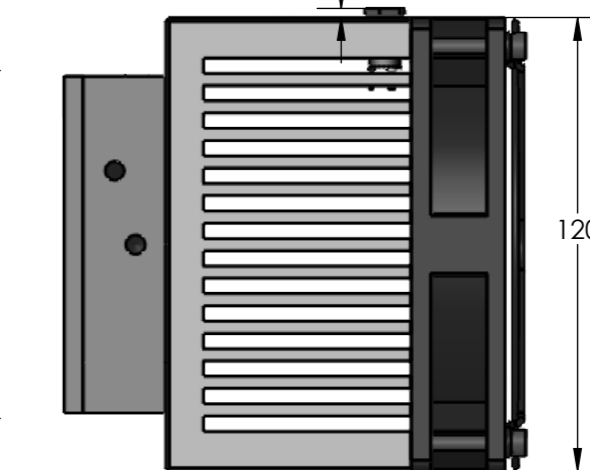
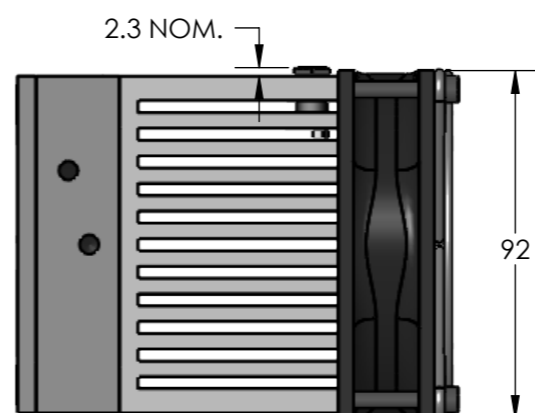
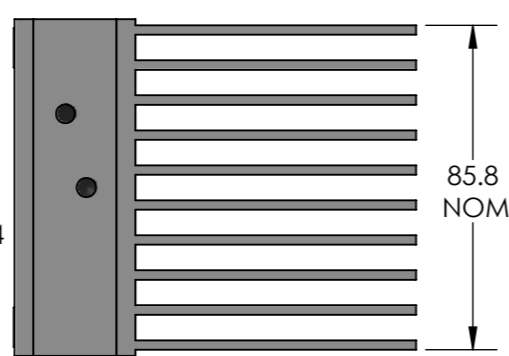
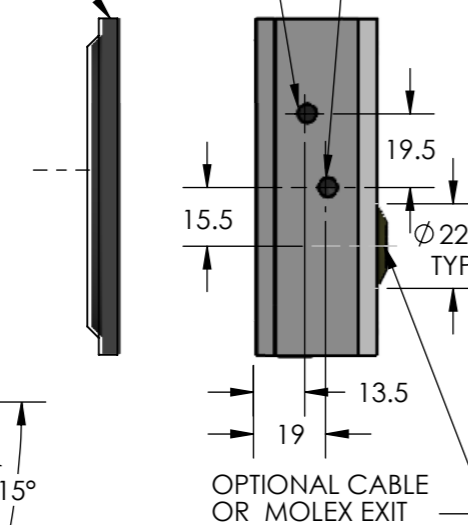
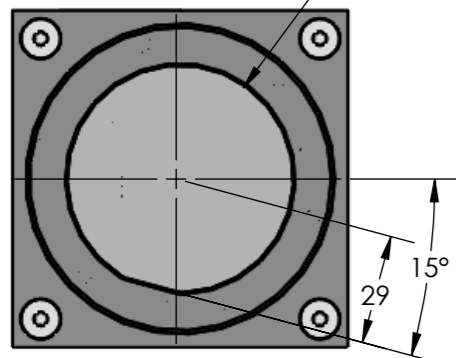
OPTIONAL CABLE EXIT (SECONDARY COAX. CABLE EXIT FOR UP...BT OPTION)

STANDARD CABLE EXIT

1/4-20 UNC - 2B 8

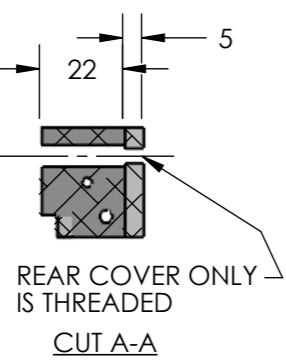
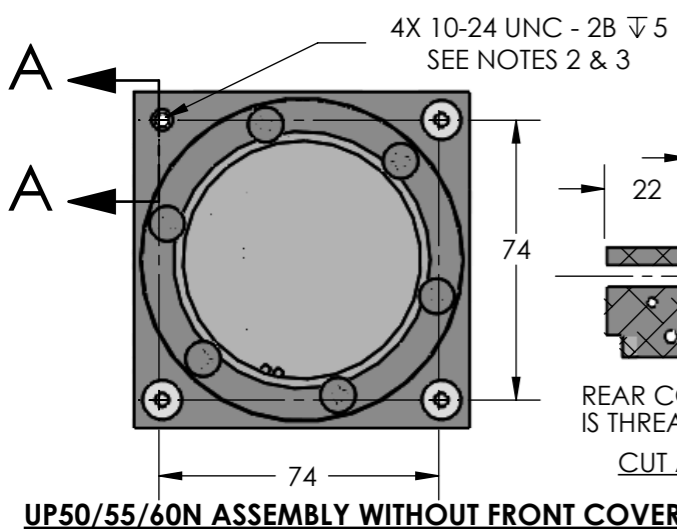
**FRONT VIEW, UP60N**

OPTICAL APERTURE  $\phi 60$  (NO THREAD)



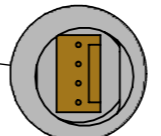
- NOTES:  
 1- DIMENSIONS IN mm [INCHES BETWEEN BRACKETS FOR REFERENCE]  
 2- FASTENER LENGTH = 27mm + THICKNESS OF CUSTOMER SUPPLIED MOUNT  
 3- WATTMETER MUST BE FASTENED FROM THE FRONT IN ORDER TO SUPPORT THE BODY AND THE REAR COVER OR HEATSINK.  
 4- THESE RIGHT SIDE AND BOTTOM VIEWS APPLY TO BOTH UP55/60N AND UP50N CONFIGURATIONS. FOR UP50N CONFIGURATIONS REPLACE UP55/60N FRONT COVERS WITH UP50N FRONT COVER; SEE PAGE 2 OF 2 FOR DETAILS

ML 2024-04-24  
 GT 2024-04-17  
 ST 2024-02-26  
 J.P. 2024-04-22  
 2X 1/8 NPT 11 (COMPRESSION FITTING REMOVED)  
 DETAIL B SCALE 1 : 1



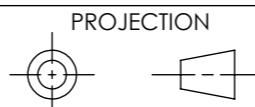
- (1) SIGNAL OUT  
 (2) SUPPLY 12 VDC  
 (3) GROUND / SHIELD  
 (4) N/A

**OPTIONAL UP...MT-B MOLEX CONNECTOR PIN OUT**



DETAIL C SCALE 1 : 1

**IMPORTANT:**  
 THIS DOCUMENT IS PROPERTY OF GENTEC ELECTRO-OPTICS, IT CANNOT BE DISTRIBUTED, USED OR REPRODUCED IN WHOLE OR IN PART WITHOUT EXPRESS WRITTEN AUTHORIZATION



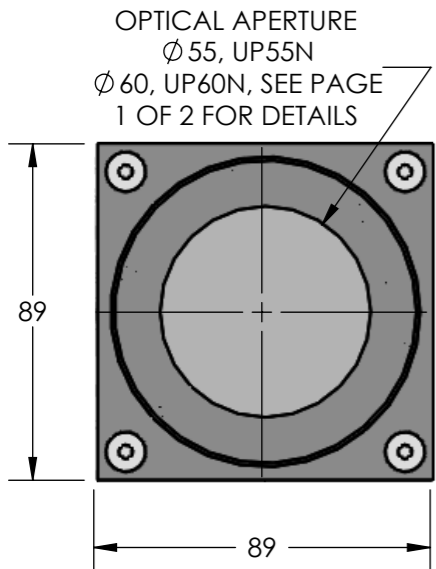
E	SEE PAGE 2 OF 2 FOR DETAILS	2024/02/26	ST		
REF.	REVISION	DATE	VER	APP	
TOLERANCE					
DEC.	±				
FRAC.	±				
ANGLE	±				
APP.					
VER.					
DOMINYK ROY					
DATE	2003/10/24				
1:2					

DESSIN D'ASSEMBLAGE  
 UP50/55/60N  
 UP ULTRA SERIES

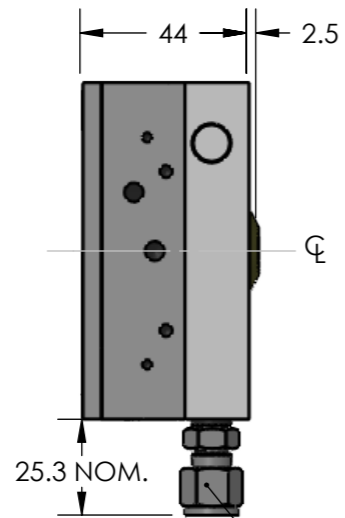
SK-8473
A3

1 OF 2

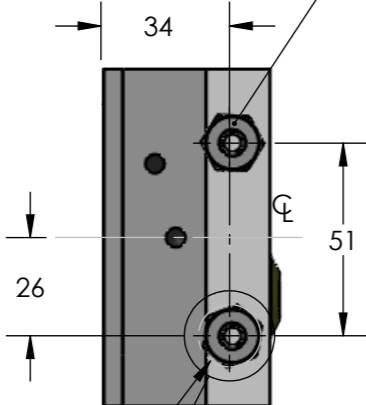
**FRONT VIEW, UP55N...  
UP60N...**



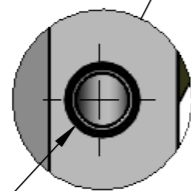
**UP55/60N-xxxDI**



2X STANDARD 1/4" OD TUBE  
SST COMPRESSION FITTINGS



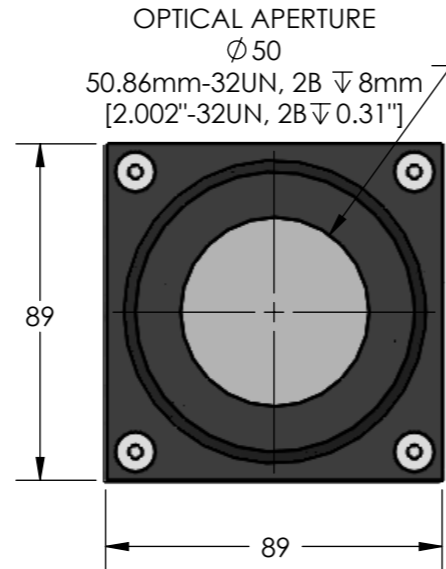
2X  $\phi$  16.50  
NOM.



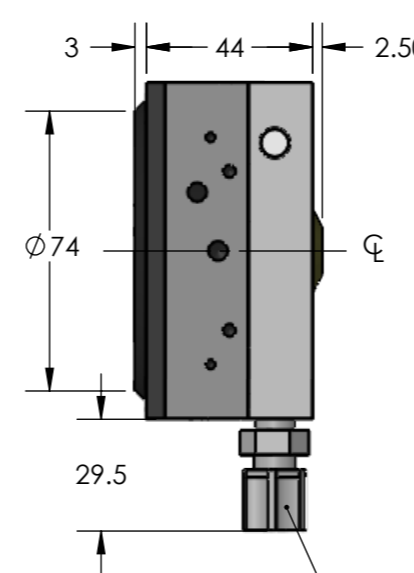
DETAIL D  
SCALE 1 : 1

2X 1/8 NPT  $\nabla$  11  
(COMPRESSION  
FITTING REMOVED)

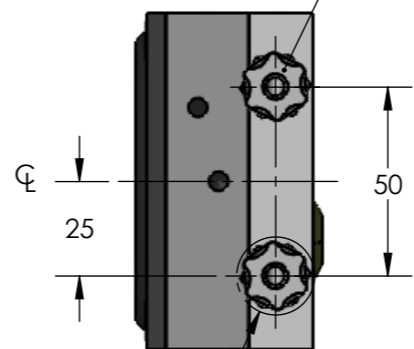
**FRONT VIEW, UP50N...**



**UP50N-50W**

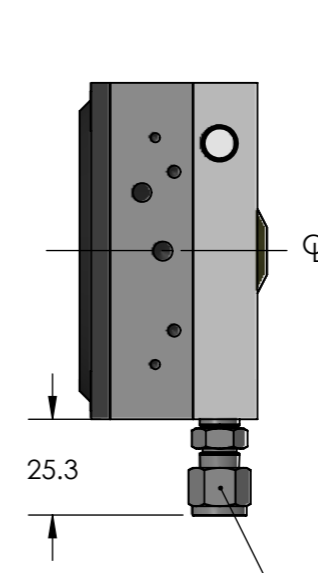


2X STANDARD 1/4" OD TUBE  
NYLON COMPRESSION FITTING

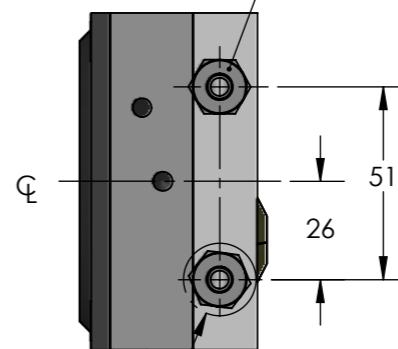


SEE DETAIL B

**UP50N-xxxDI**



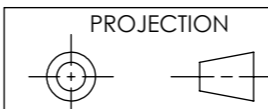
2X STANDARD 1/4" OD TUBE  
SST COMPRESSION FITTINGS



SEE DETAIL D

NOTES:  
1- DIMENSIONS IN mm  
2- SEE P1 OF 2 FOR OTHER DETAILS

**IMPORTANT:**  
THIS DOCUMENT  
IS PROPERTY OF  
GENTEC ELECTRO-  
OPTICS, IT CANNOT  
BE DISTRIBUTED, USED  
OR REPRODUCED IN  
WHOLE OR IN PART  
WITHOUT EXPRESS  
WRITTEN AUTHORIZATION



REF.	REVISION	DATE	VER	APP
E	MINOR CORRECTION	2024/02/26	ST	MAS
D	ACCORDING TO ACI-2721	2018/10/04	RL	
C	APERTURE THREADS QUOTED	2012/02/03	RVH	
B	ACCORDING TO ACI-0623	2006/12/01	RVH	
A	UP5x... DI VERSION ADDED TO P2 OF 2	2006/07/18	RL	

TOLERANCE	
DEC.	$\pm$
FRAC.	$\pm$
ANGLE	$\pm$
$\sqrt{\quad}$	
APP.	
VER.	
DOMINYK ROY	
DATE	2003/10/24
	1:2

**gentec-EO**

DESSIN D'ASSEMBLAGE  
UP50/55/60N  
UP ULTRA SERIES

SK-8473 2 OF 2 A3

J.P. 2024-03-26 MAS 2024-02-28 L.R.