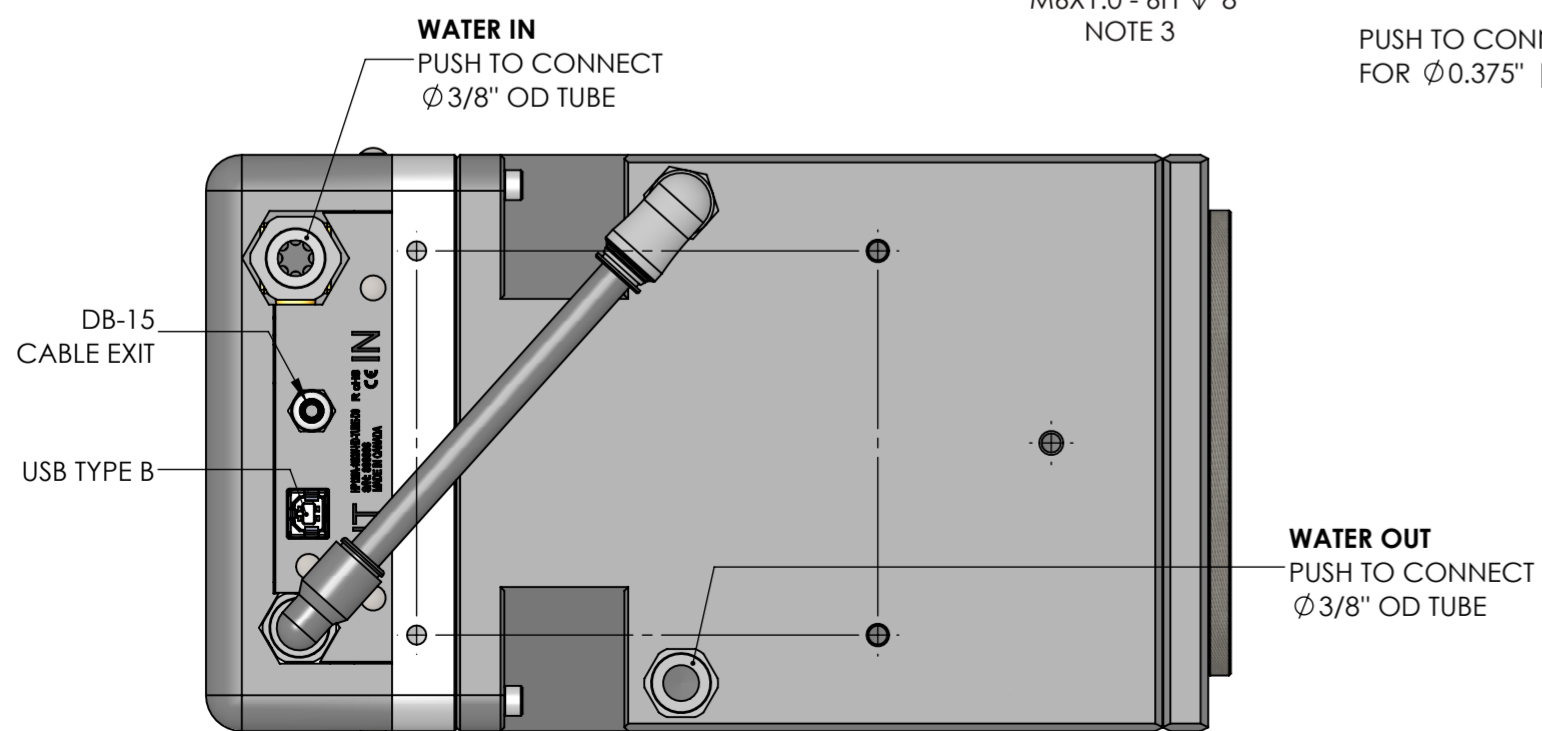
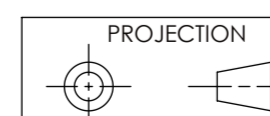


FRONT VIEW: OPTICAL APERTURE REMOVED



- NOTES:
1. DIMENSIONS IN mm.
  2. HOLE PATTERN ON BOTH SIDES VIEW AND BOTTOM VIEW
  3. HOLE PATTERN ON ALL SIDES OF THE EXTENSION TUBE
  4. SLIDING DOOR ON BOTH SIDES

**IMPORTANT:**  
THIS DOCUMENT IS PROPERTY OF GENTEC ELECTRO-OPTICS, IT CANNOT BE DISTRIBUTED, USED OR REPRODUCED IN WHOLE OR IN PART WITHOUT EXPRESS WRITTEN AUTHORIZATION



REF.	REVISION	DATE	VER	APP
TOLERANCE				
DEC.	±			
FRAC.	±			
ANGLE	±			
APP.				
VER.				
R.LABERGE				
DATE 2020-02-03				
1:2				
<b>gentec-ε</b>				
LAYOUT DRAWING HP125A-15KW-HD-TUBE-D0 HP SERIES				
SK-10074				A2