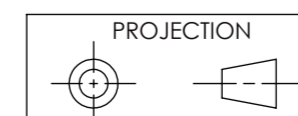


NOTES:  
 1- DIMENSION IN mm.  
 2- THIS IS ONLY AN EXAMPLE. THE COMPLETE ASSEMBLY MAY CHANGE DUE TO SPECIFIC LASER PARAMETERS.  
 3- REFER TO SPECIFIC MANUAL FOR BEAMAGE-4M CABLE LENGTH.

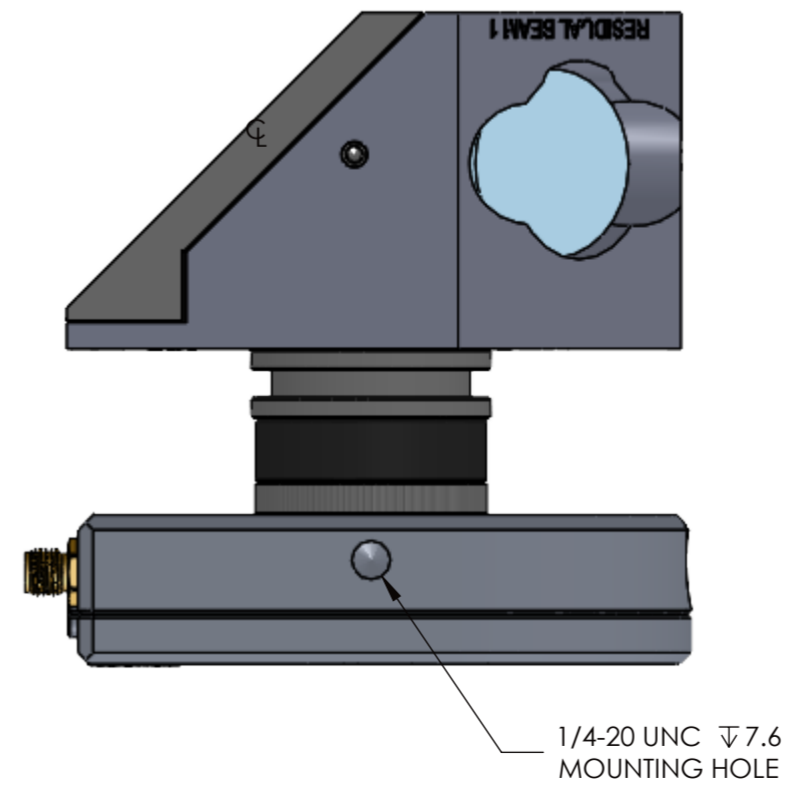
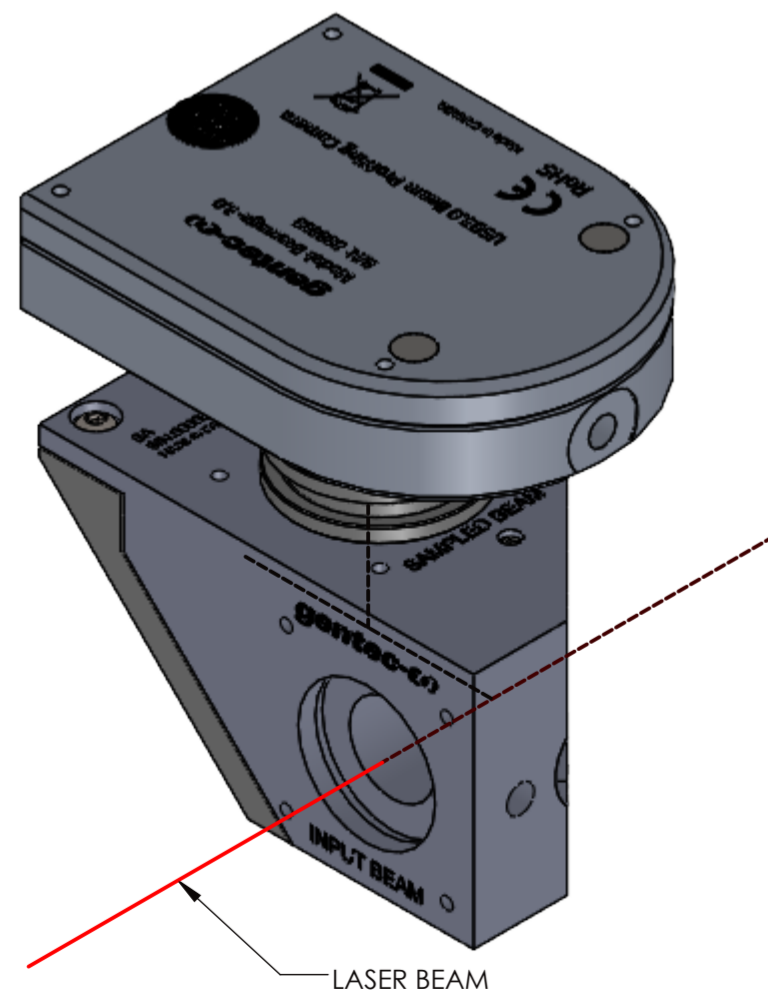
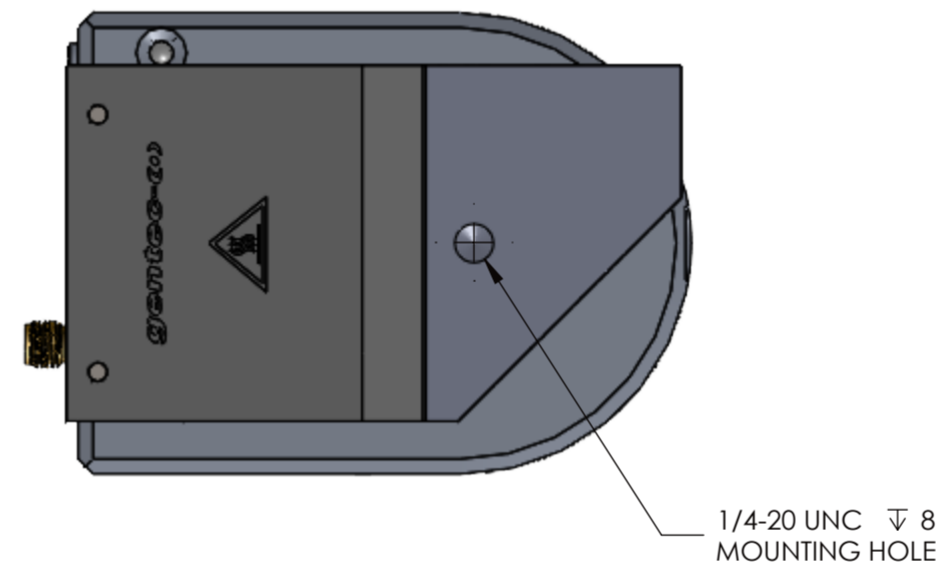
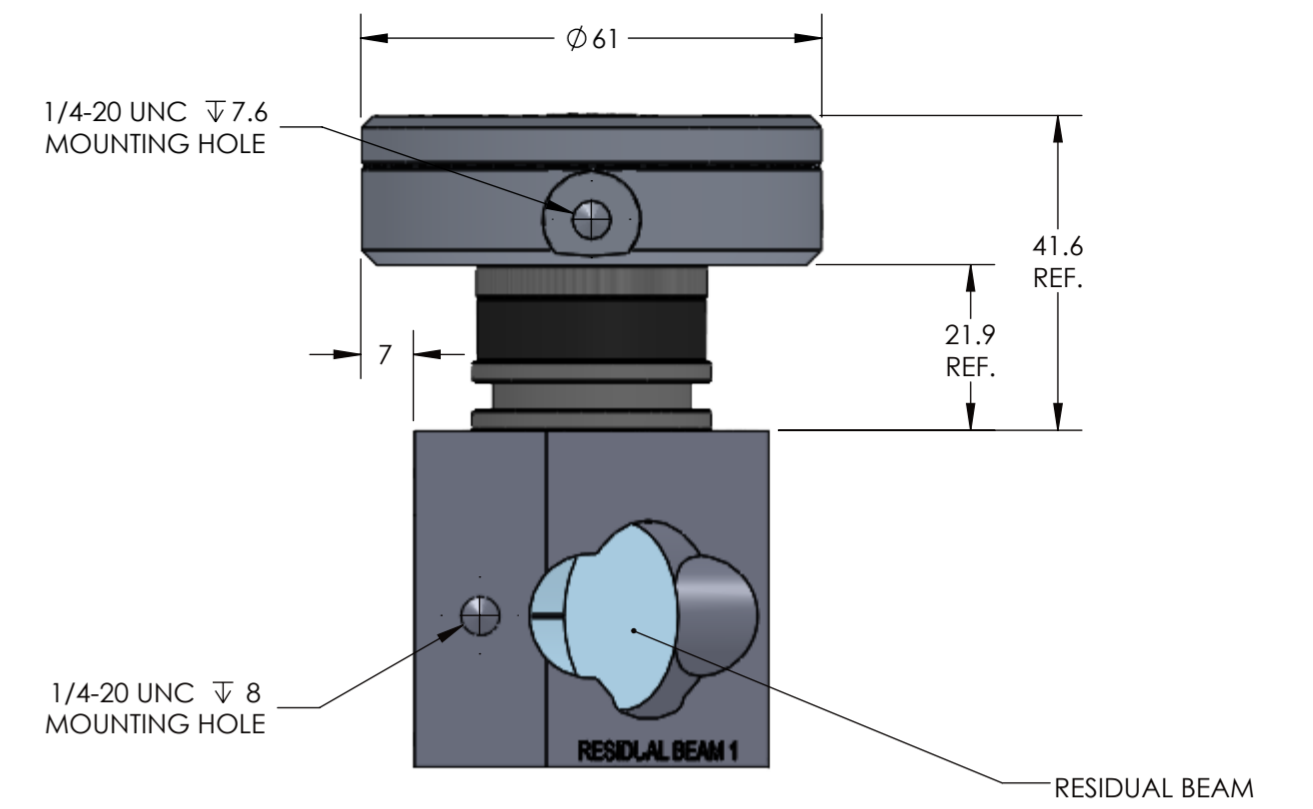
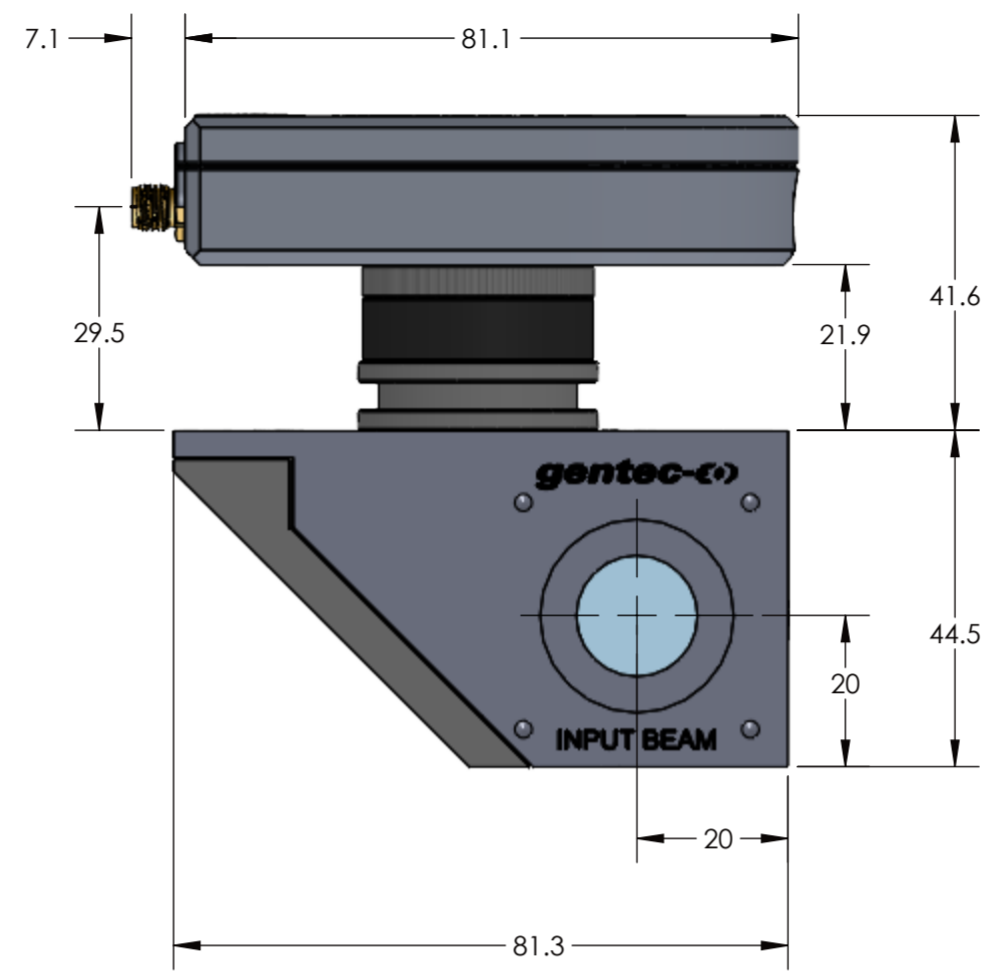
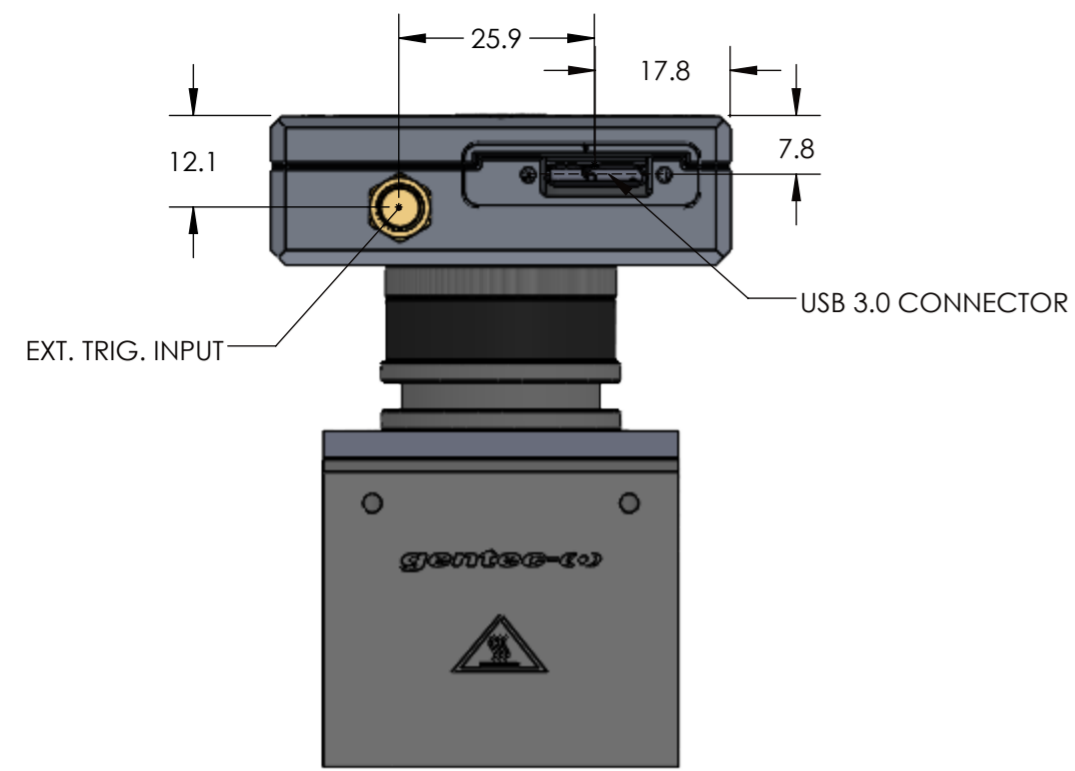
GT 2024-04-17  
 J.P. 2024-03-26  
 MAS 2024-02-28  
 ST 2024-02-26

**IMPORTANT:**  
 THIS DOCUMENT IS PROPERTY OF GENTEC ELECTRO-OPTICS, IT CANNOT BE DISTRIBUTED, USED OR REPRODUCED IN WHOLE OR IN PART WITHOUT EXPRESS WRITTEN AUTHORIZATION



REF.	REVISION	DATE	VER	APP
C	MINOR CORRECTION	2024/02/26	ST	MAS
B	SELON DCI-ACI-3459	2022/03/04	ST	
A	SPECIFICATION WITH BEAMAGE-4M ADDED	2018/02/26	SB	

APP. VER.					
				LAYOUT DRAWING BA16-60S BA ATTENUATOR SERIES	
S. BOUCHARD		DATE	2018/01/12	1:1	<b>SK-9791</b> P 1 OF 2 <b>A2</b>



NOTES:  
 1- DIMENSION IN mm.  
 2- THIS IS ONLY AN EXAMPLE. THE COMPLETE ASSEMBLY MAY CHANGE DUE TO SPECIFIC LASER PARAMETERS.  
 3- REFER TO SPECIFIC MANUAL FOR BEAMAGE-4M CABLE LENGTH.

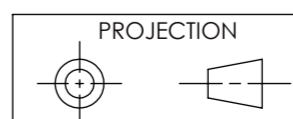
**IMPORTANT:**  
 THIS DOCUMENT IS PROPERTY OF GENTEC ELECTRO-OPTICS, IT CANNOT BE DISTRIBUTED, USED OR REPRODUCED IN WHOLE OR IN PART WITHOUT EXPRESS WRITTEN AUTHORIZATION

REV. C SEE PAGE 1 FOR DETAILS



APP.  
 VER.  
 S. BOUCHARD

LAYOUT DRAWING  
 BA16-60S + BEAMAGE-4M  
 BA ATTENUATOR SERIES



DATE 2018/01/12  
 1:1

SK-9791 P 2 OF 2 A2