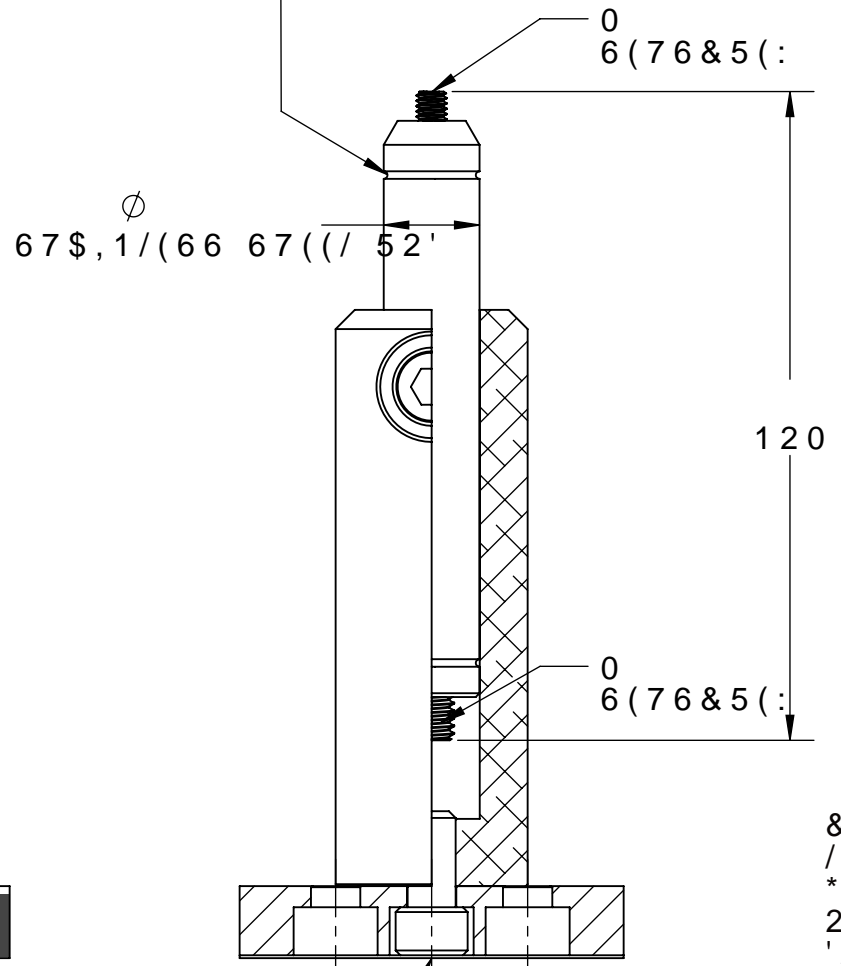


0(75, & 32676 \$5(',67,1*8,6+(
)520 7+(,03(5,\$/ 9(56,216
 %< \$ *5229(\$'--\$&(17 72
 (\$&+ (1' 2) 7+(3267



67\$,1/(66 67((/ 52'

0
6(76&5(:

0
6(76&5(:

02817,1*
326,7,216

127(
,0(16,21 ,1 PP

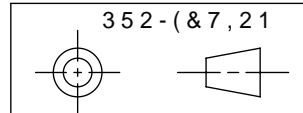
,03257\$17

&('2&80(17 (67)
 /\$ 35235,(7(
 *(17(& (/(&752
 237,48(,/ 1()5\$& "
 '2,7 3\$6 (75(\$1*/("
 '(92,/(87,/,6
 28 5(352'8,7
 (1 7287 28 (1
 3\$57,(6\$16
 \$8725,6\$7,21
 (&5,7(

5(9,6,21 '\$7(| 9(5\$33

\$33
 9(5
 | 6 7+,9,(57(

/\$<287 '5\$:,1*
 6WDQG 6 0
 '(7(&725 67\$1'



'\$7(
 |

6.

\$