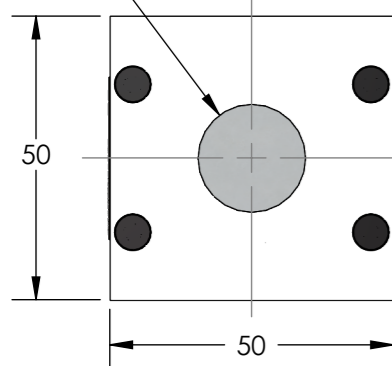
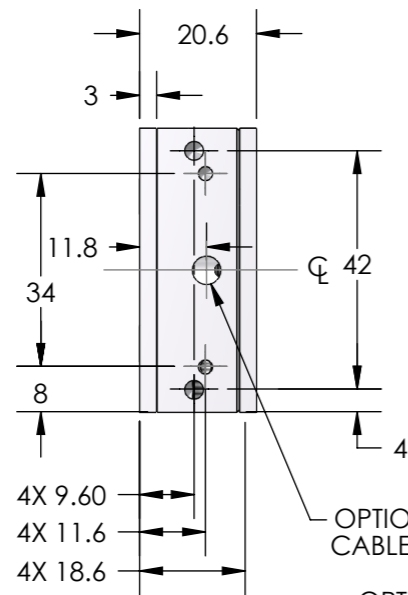


**FRONT VIEW,
UP19K...**

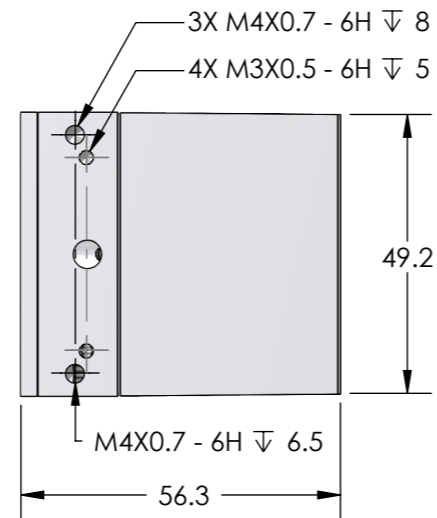
OPTICAL APERTURE
 Ø19, UP19K-xxx-Hx/W5
 Ø18, UP19K-xxx-VM/VR
 SEE NOTE 2



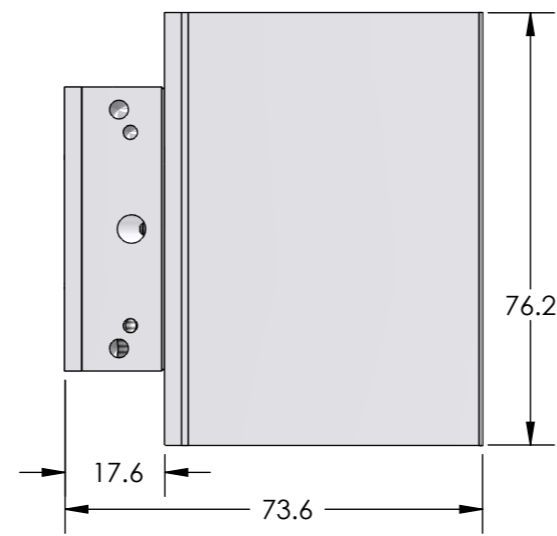
UP19K-15S



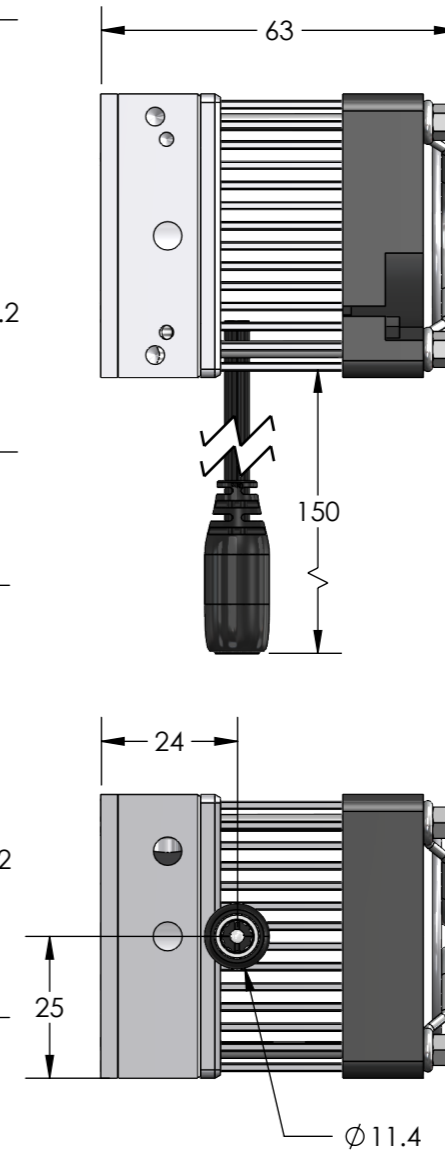
UP19K-30H



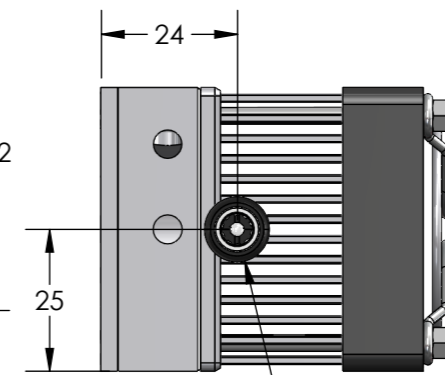
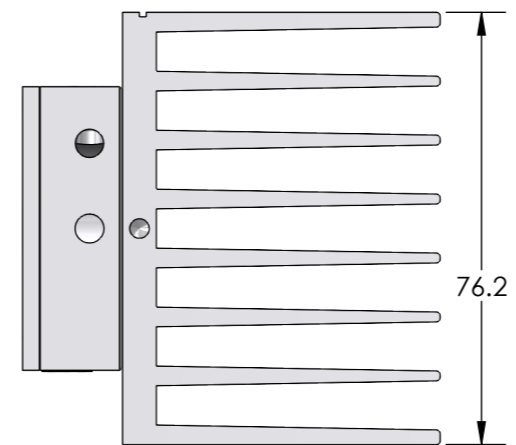
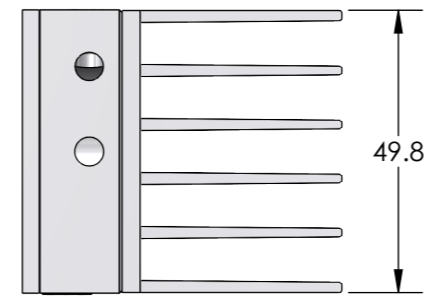
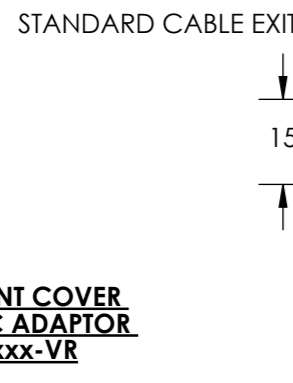
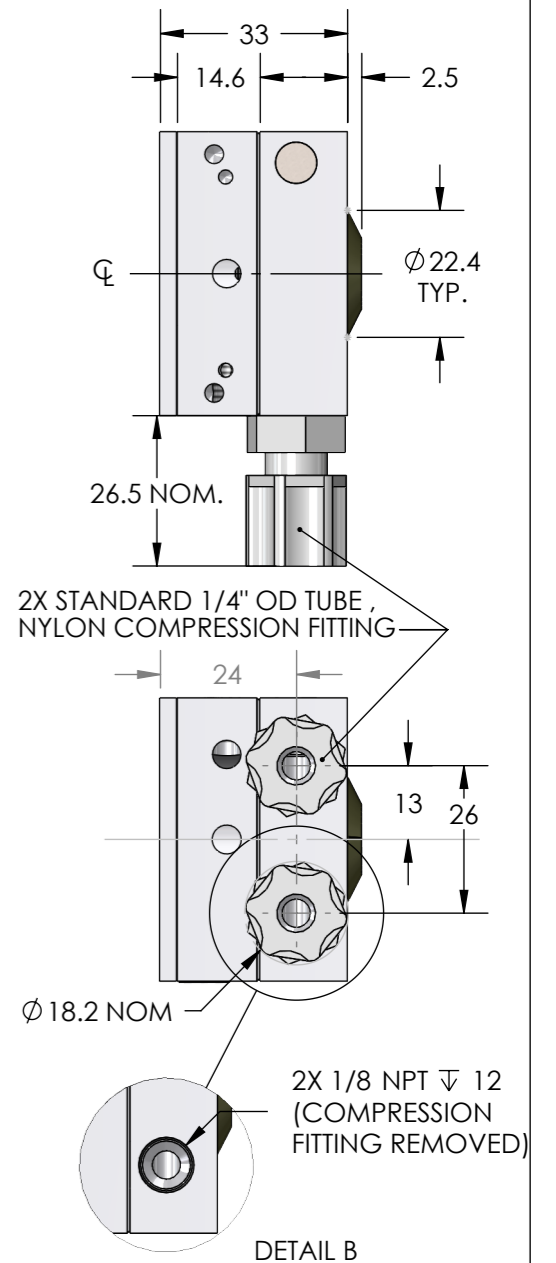
UP19K-50L



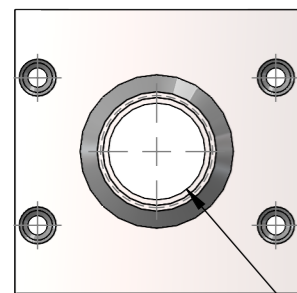
UP19K-110F



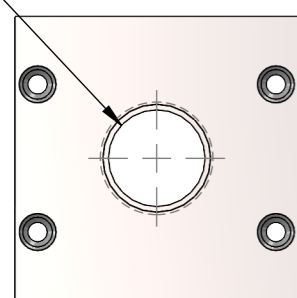
**UP19K-50W/150W/200W
UP19K-50W/150W-DI**



**OPTIONAL FRONT COVER
FOR FIBER OPTIC ADAPTOR
OF UP19K-xxx-VR**

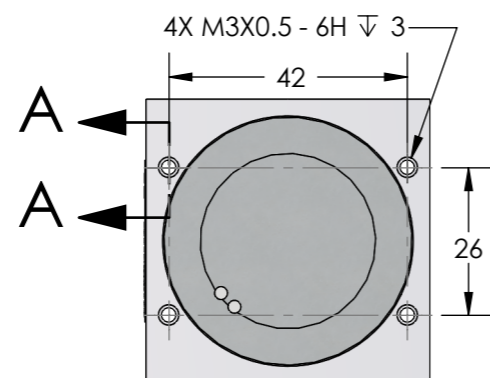


Ø17 OPTICAL APERTURE,
SEE NOTE 2

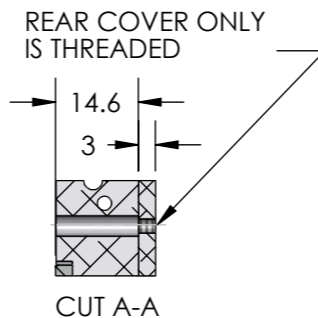


**OPTIONAL FRONT COVER
FOR FIBER OPTIC ADAPTOR
OF UP19K-xxx-VM**

- NOTES:
 1- DIMENSIONS IN mm
 2- THREADED 0.782"-32 UN, 2B
 3- FASTENER LENGTH = 17.6mm + THICKNESS OF CUSTOMER SUPPLIED MOUNT
 4- WATTMETER MUST BE FASTENED FROM THE FRONT IN ORDER TO SUPPORT THE BODY, THE THERMAL DISK AND THE REAR COVER OR HEATSINK.
 5- DOES NOT APPLY TO UP19K-xxx-VM/VR)



MOUNTING WITHOUT FRONT COVER: UP19K-xxx-Hx
SEE NOTES 4 & 5



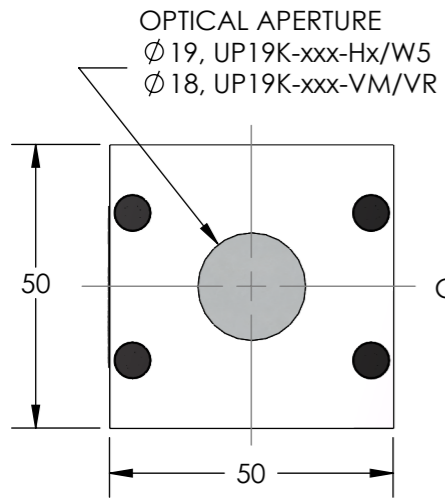
IMPORTANT:

CE DOCUMENT EST LA PROPRIETE DE GENTEC ELECTRO-OPTIQUE. IL NE DOIT PAS ETRE DEVOILE, UTILISE OU REPRODUIT EN TOUT OU EN PARTIE, SANS AUTORISATION ECRITE.

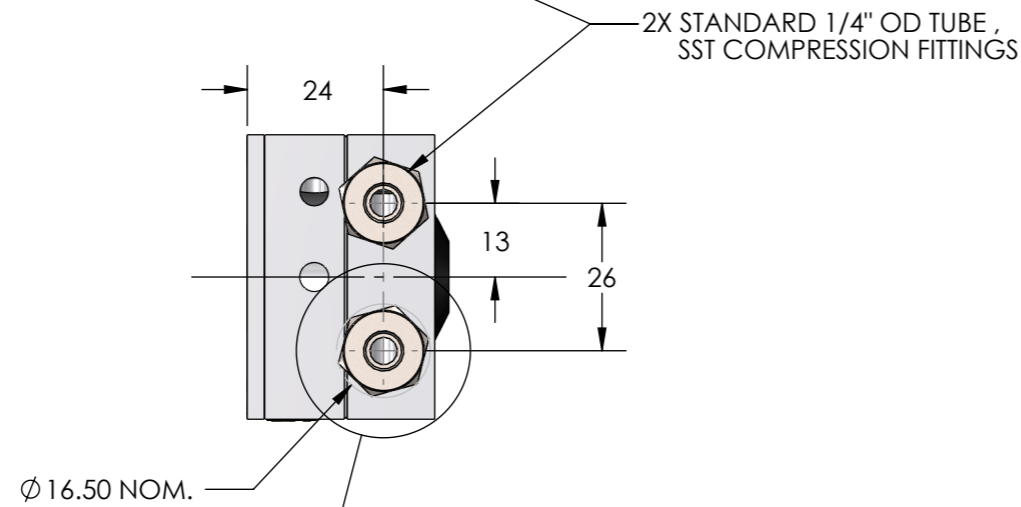
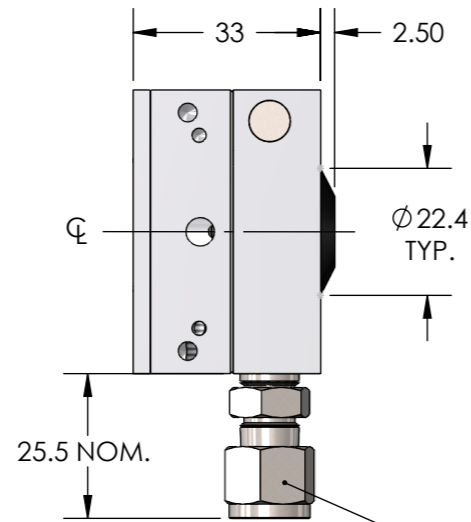


K	SEE PAGE 3 FOR DETAILS				
REF.	REVISION	DATE	VER	APP	
TOLERANCE					
DEC. FRAC. ANGLE	√				
APP.					
VER.					
Ronald VH					
DATE	13/12/2005	LAYOUT DRAWING		UP19K... (WITHOUT PCB)	
3:4		SK-8477		A3	
		1 OF 3			

**FRONT VIEW,
UP19K...**

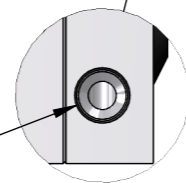


UP19K-100DI/150DI



2X STANDARD 1/4" OD TUBE,
SST COMPRESSION FITTINGS

2X 1/8 NPT ∇ 12
(COMPRESSION
FITTING REMOVED)



DETAIL C

NOTES:
1- DIMENSIONS IN mm
2- SEE P1 OF 3 FOR OTHER DETAILS

IMPORTANT:

**THIS DOCUMENT
IS PROPERTY OF
GENTEC ELECTRO-
OPTICS, IT CANNOT
BE DISTRIBUTED, USED
OR REPRODUCED IN
WHOLE OR IN PART
WITHOUT EXPRESS
WRITTEN AUTHORIZATION**

REVISION	K	SEE PAGE 3 FOR DETAILS
----------	---	------------------------

TOLERANCE	
DEC.	±
FRAC.	±
ANGLE	±
	√

SEE PAGE 3
FOR
APPROVALS

— Ronald VH

DATE 13/12/2005

3:4

gentec-EO

LAYOUT DRAWING

UP19K... (WITHOUT PCB)

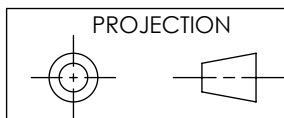
SK-8477

2 OF 3

A3



IMPORTANT:
THIS DOCUMENT
IS PROPERTY OF
GENTEC ELECTRO-
OPTICS, IT CANNOT
BE DISTRIBUTED, USED
OR REPRODUCED IN
WHOLE OR IN PART
WITHOUT EXPRESS
WRITTEN AUTHORIZATION



K	M4 HOLE DEPTH CHANGED	2025/01/17	ST		
J	MINOR CORRECTION	2024/02/27	ST		
I	DIMENSION ADJUSTMENT	2022/03/23	ST		
H	MINOR CORRECTION	2021/07/28	ST		
G	UP19K-50F/110F-... MODEL UPDATE	2020/02/05	RL		
F	0.782" THREAD UPDATE	2019/11/07	RL		
E	UP19K-110F-... MODEL UPDATE	2019/08/29	RL		
D	UP19K-XXX-W5 APERTURE HAVE CHANGED	2019/03/28	SB		
C	VR INFORMATION ADDED	2009/11/18	RVH		
B	NOTE 6 ADDED, RELATIVE TO UP19K-xxx-W5	2007/01/29	RVH		
A	UP19K... DI VERSION ADDED TO P2 OF 2	2006/07/17	RVH		
REF.	REVISION	DATE	VER	APP	

TOLERANCE	
DEC.	±
FRAC.	±
ANGLE	±
√	
APP.	
VER.	
— Ronald VH	
DATE	13/12/2005
	1:1

gentec-EO

LAYOUT DRAWING

UP19K... (WITHOUT PCB)

SK-8477

3 OF 3

A4