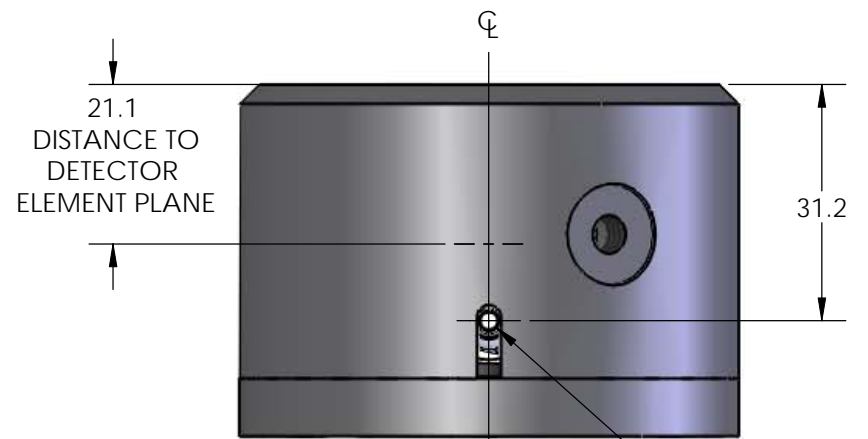
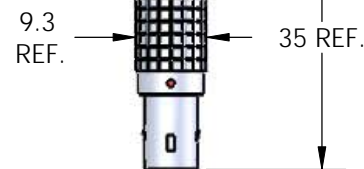
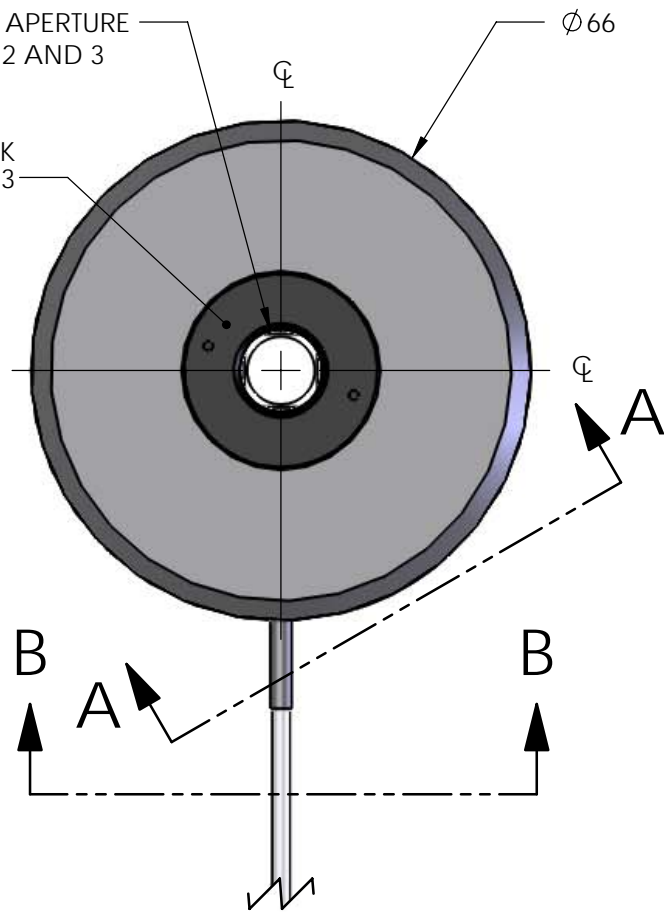
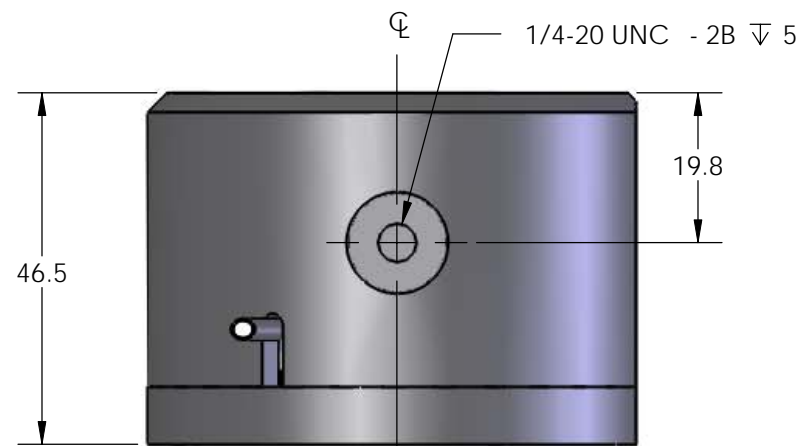


Ø11  
MECHANICAL APERTURE  
SEE NOTES 2 AND 3

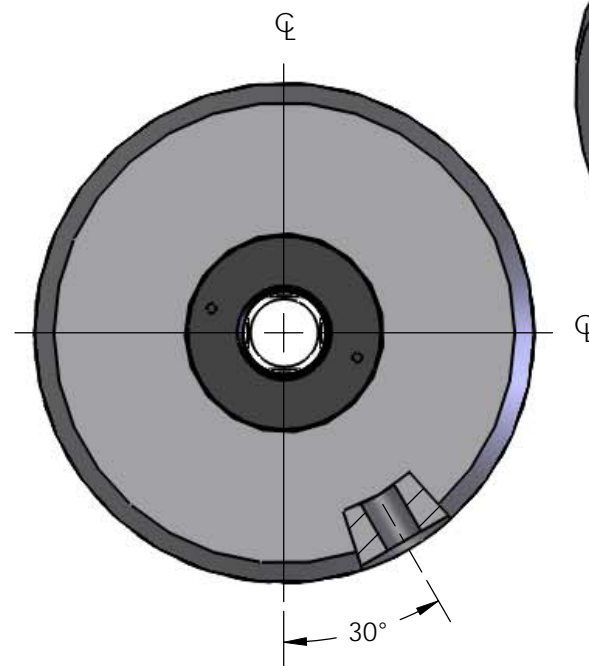
APERTURE DISK  
SEE NOTE 3



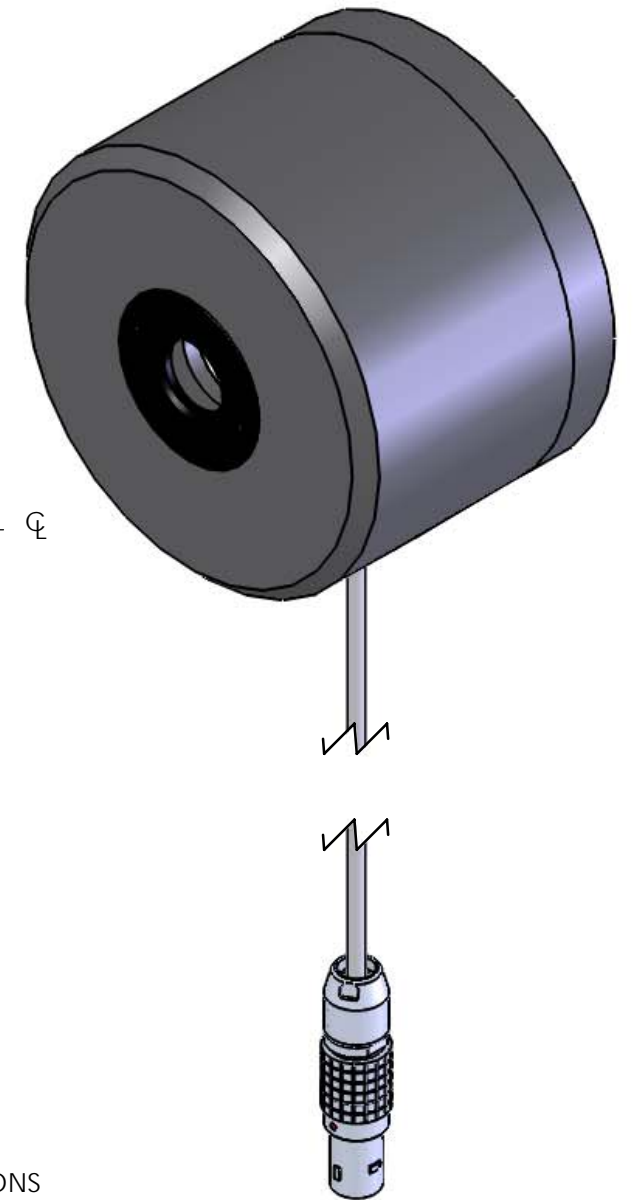
VIEW B-B  
SCALE 1 : 1



VIEW A-A  
SCALE 1 : 1

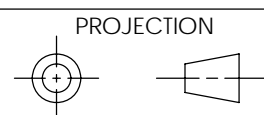


FRONT VIEW WITH CUT-AWAY



- NOTES:  
1- DIMENSIONS IN mm  
2- REFER TO DETECTOR SPECIFICATIONS FOR OPTICAL APERTURE  
3- WITH APERTURE DISK REMOVED; MECHANICAL APERTURE BECOMES Ø15.2mm AND 1.035"-40 ∇ 3.8mm THREAD IS ACCESSIBLE.

**IMPORTANT:**  
THIS DOCUMENT IS PROPERTY OF GENTEC ELECTRO-OPTICS, IT CANNOT BE DISTRIBUTED, USED OR REPRODUCED IN WHOLE OR IN PART WITHOUT EXPRESS WRITTEN AUTHORIZATION



REF.	REVISION	DATE	VER	APP																																							
<table border="0"> <tr> <td style="border: none;">TOLERANCE</td> <td style="border: none;">DEC.</td> <td style="border: none;">±</td> <td colspan="2" rowspan="3" style="text-align: center; vertical-align: middle;"> </td> </tr> <tr> <td style="border: none;">FRAC.</td> <td style="border: none;">±</td> </tr> <tr> <td style="border: none;">ANGLE</td> <td style="border: none;">±</td> </tr> <tr> <td style="border: none;">APP.</td> <td colspan="4" style="text-align: center;">LAYOUT DRAWING</td> </tr> <tr> <td style="border: none;">VER.</td> <td colspan="4" style="text-align: center;">THZ-B</td> </tr> <tr> <td style="border: none;">— Ronald VH</td> <td colspan="4" style="text-align: center;">SK-9169</td> </tr> <tr> <td style="border: none;">DATE</td> <td colspan="4" style="text-align: center;">A3</td> </tr> <tr> <td style="border: none;">2011/02/25</td> <td colspan="4"></td> </tr> <tr> <td style="border: none;">1:1</td> <td colspan="4"></td> </tr> </table>					TOLERANCE	DEC.	±			FRAC.	±	ANGLE	±	APP.	LAYOUT DRAWING				VER.	THZ-B				— Ronald VH	SK-9169				DATE	A3				2011/02/25					1:1				
TOLERANCE	DEC.	±																																									
FRAC.	±																																										
ANGLE	±																																										
APP.	LAYOUT DRAWING																																										
VER.	THZ-B																																										
— Ronald VH	SK-9169																																										
DATE	A3																																										
2011/02/25																																											
1:1																																											