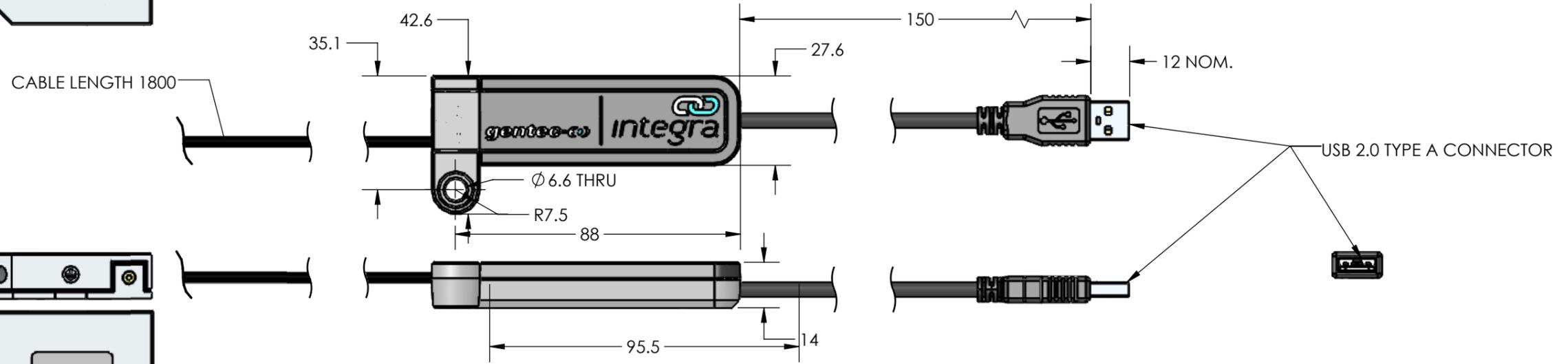


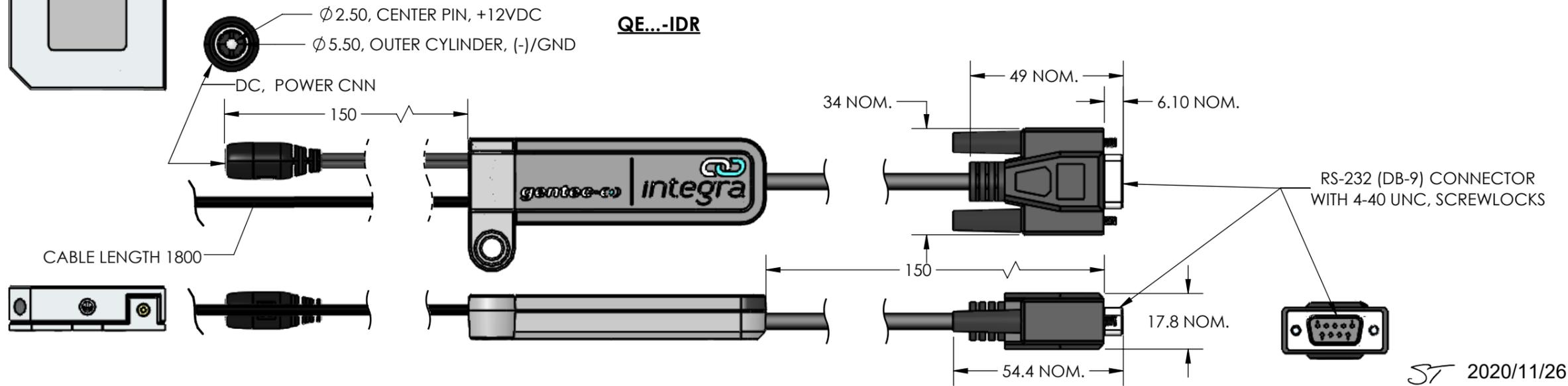
QE SERIES ENERGY METER

SEE DETECTOR DRAWING FOR CABLE EXIT AND OTHER DETAILS.

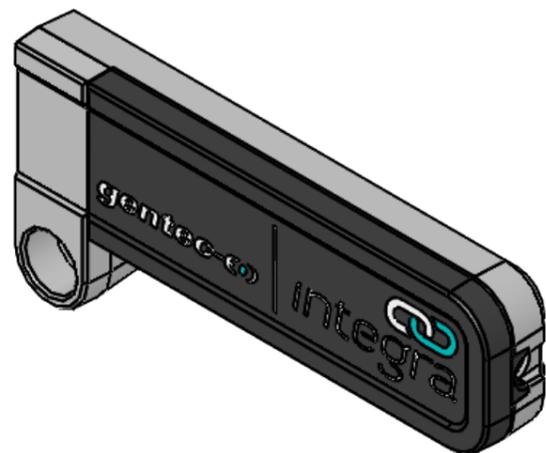
QE...-INT



QE...-IDR

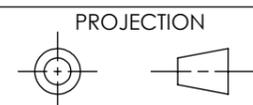


ST 2020/11/26 ML



NOTES:
1- DIMENSIONS IN mm.

IMPORTANT:
THIS DOCUMENT IS PROPERTY OF GENTEC ELECTRO-OPTICS, IT CANNOT BE DISTRIBUTED, USED OR REPRODUCED IN WHOLE OR IN PART WITHOUT EXPRESS WRITTEN AUTHORIZATION



B	DETECTOR INFORMATION ADDED	2020/11/26	ST	ML	ELP
A	DETECTOR INFORMATION ADDED	2016/07/04	SB		
REF.	REVISION	DATE	VER	APP	

TOLERANCE	
DEC.	±
FRAC.	±
ANGLE	±
√	

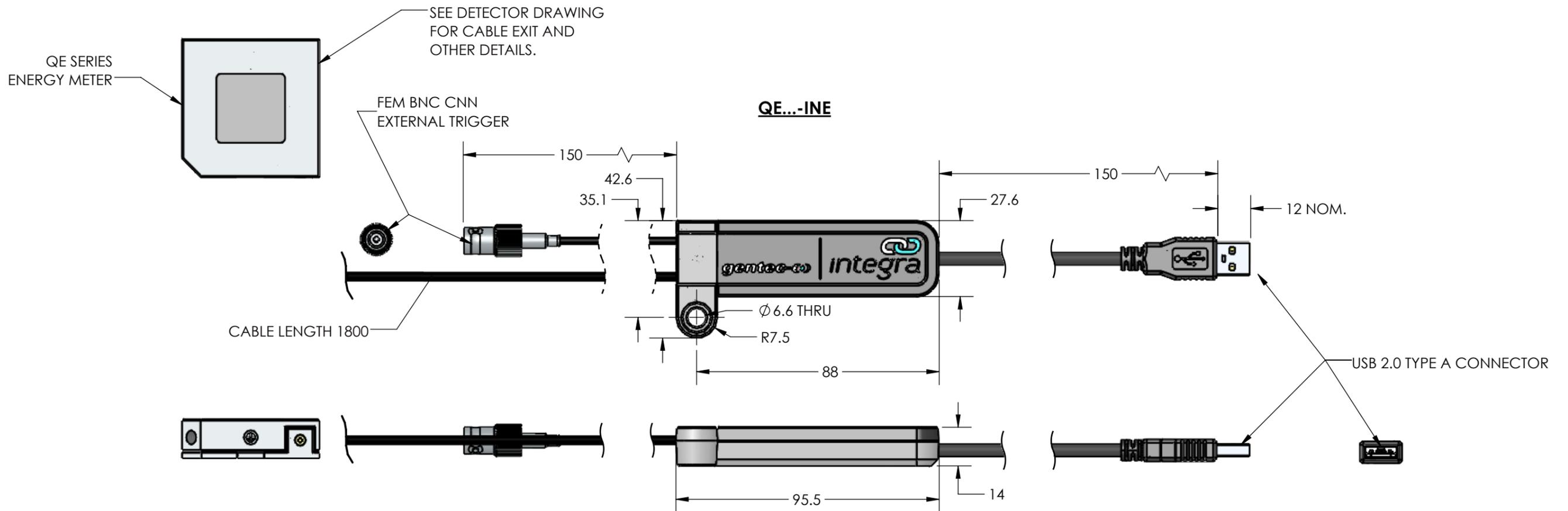
APP.
VER.
Ronald VH

DATE 2016/01/22
2:3



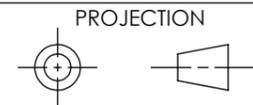
LAYOUT DRAWING
QE...INT / QE...IDR
INTEGRA SERIES ENERGY METERS

SK-9560 P 1 OF 2 A3



NOTES:
1- DIMENSIONS IN mm.

IMPORTANT:
THIS DOCUMENT
IS PROPERTY OF
GENTEC ELECTRO-
OPTICS, IT CANNOT
BE DISTRIBUTED, USED
OR REPRODUCED IN
WHOLE OR IN PART
WITHOUT EXPRESS
WRITTEN AUTHORIZATION



REVISION	B	SEE PAGE 1 FOR DETAILS
TOLERANCE		
DEC.	±	
FRAC.	±	
ANGLE	±	LAYOUT DRAWING QE...INE INTEGRA SERIES ENERGY METERS
SEE PAGE 1 FOR APPROVALS		
DATE		SK-9560
Ronald VH		