

**FRONT VIEW,
UP19K...**

UP19K-15S

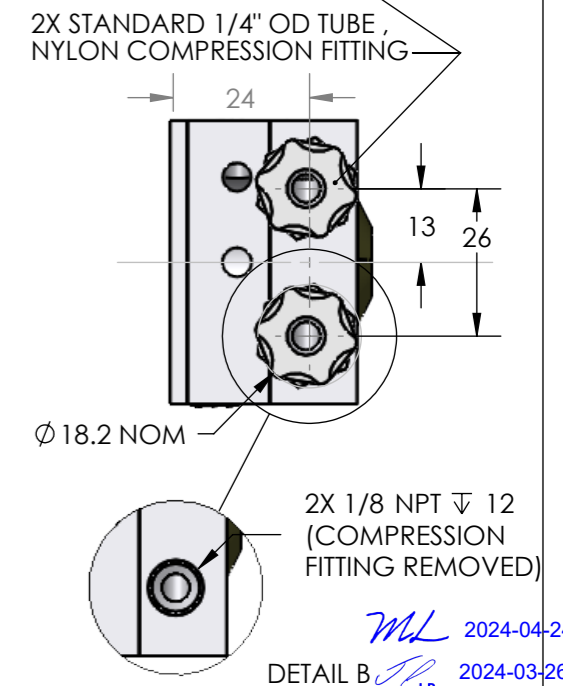
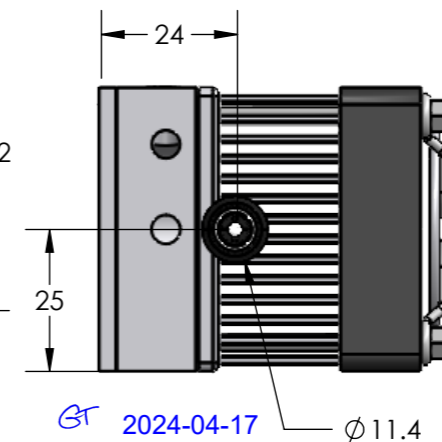
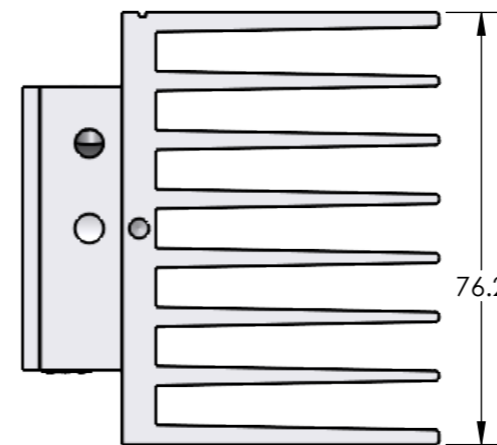
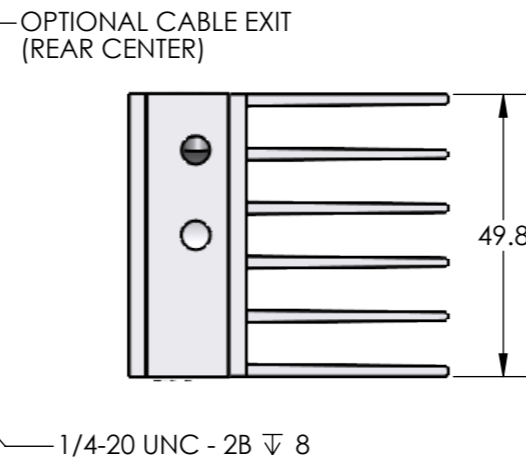
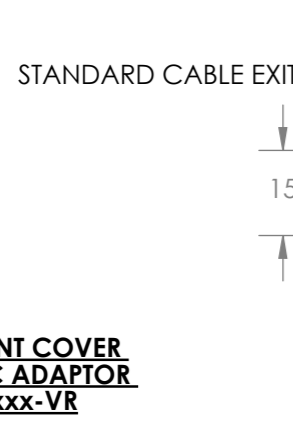
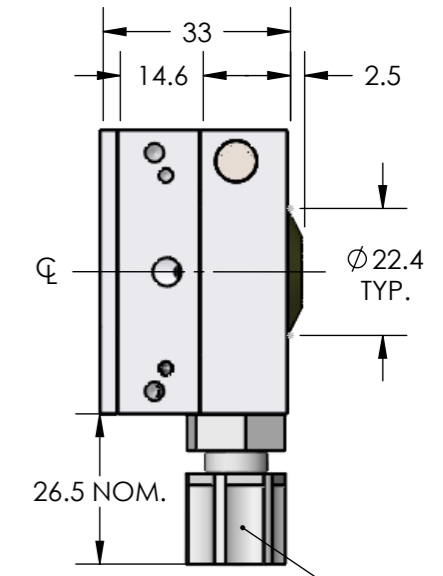
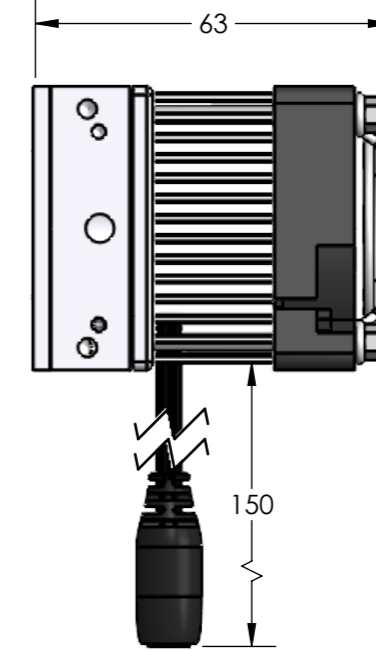
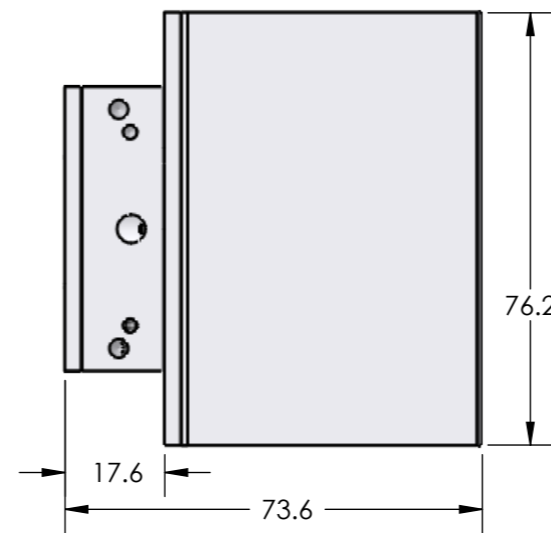
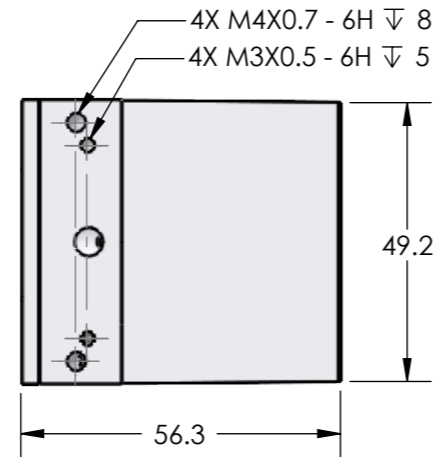
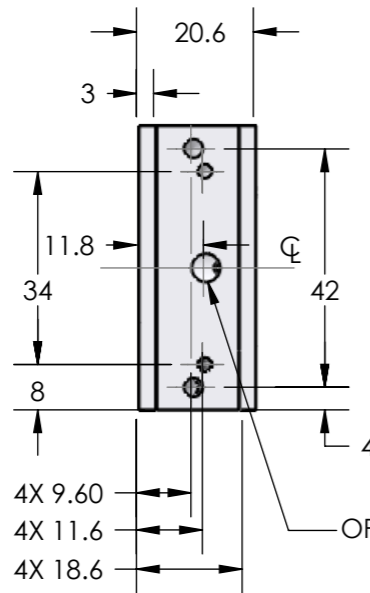
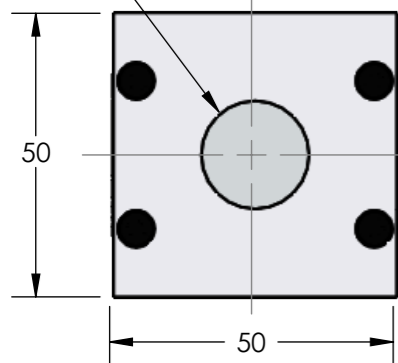
UP19K-30H

UP19K-50L

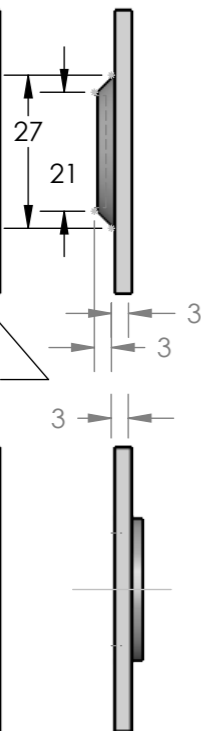
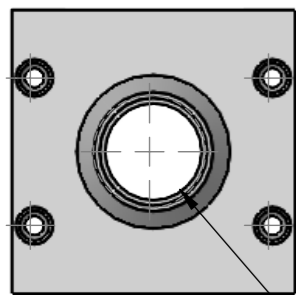
UP19K-110F

**UP19K-50W/150W/200W
UP19K-50W/150W-DI**

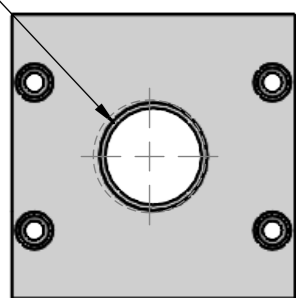
OPTICAL APERTURE
 $\varnothing 19$, UP19K-xxx-Hx/W5
 $\varnothing 18$, UP19K-xxx-VM/VR
 SEE NOTE 2



**OPTIONAL FRONT COVER
FOR FIBER OPTIC ADAPTOR
OF UP19K-xxx-VR**

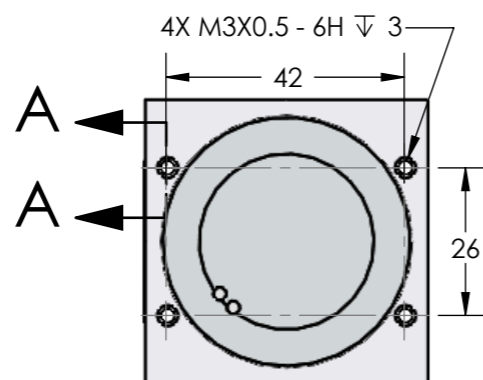


$\varnothing 17$ OPTICAL APERTURE,
SEE NOTE 2

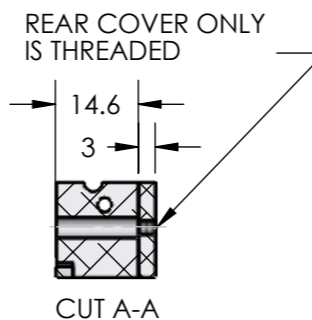


**OPTIONAL FRONT COVER
FOR FIBER OPTIC ADAPTOR
OF UP19K-xxx-VM**

- NOTES:
 1- DIMENSIONS IN mm
 2- THREADED 0.782"-32 UN, 2B
 3- FASTENER LENGTH = 17.6mm + THICKNESS OF CUSTOMER SUPPLIED MOUNT
 4- WATTMETER MUST BE FASTENED FROM THE FRONT IN ORDER TO SUPPORT THE BODY, THE THERMAL DISK AND THE REAR COVER OR HEATSINK.
 5- DOES NOT APPLY TO UP19K-xxx-VM/VR)

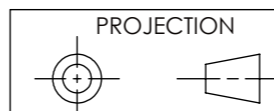


MOUNTING WITHOUT FRONT COVER: UP19K-xxx-Hx
SEE NOTES 4 & 5



IMPORTANT:

CE DOCUMENT EST LA PROPRIETE DE GENTEC ELECTRO-OPTIQUE. IL NE DOIT PAS ETRE DEVOILE, UTILISE OU REPRODUIT EN TOUT OU EN PARTIE, SANS AUTORISATION ECRITE.

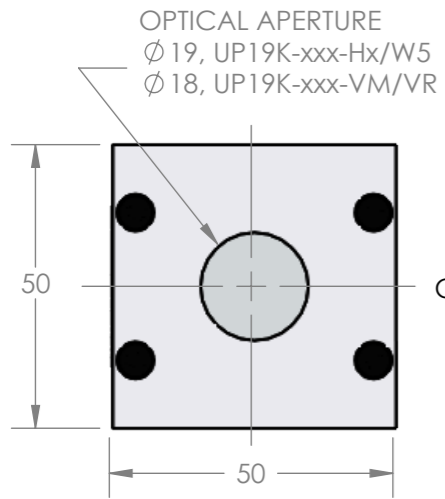


GT 2024-04-17
 MAS 2024-02-28
 ST 2024-02-27

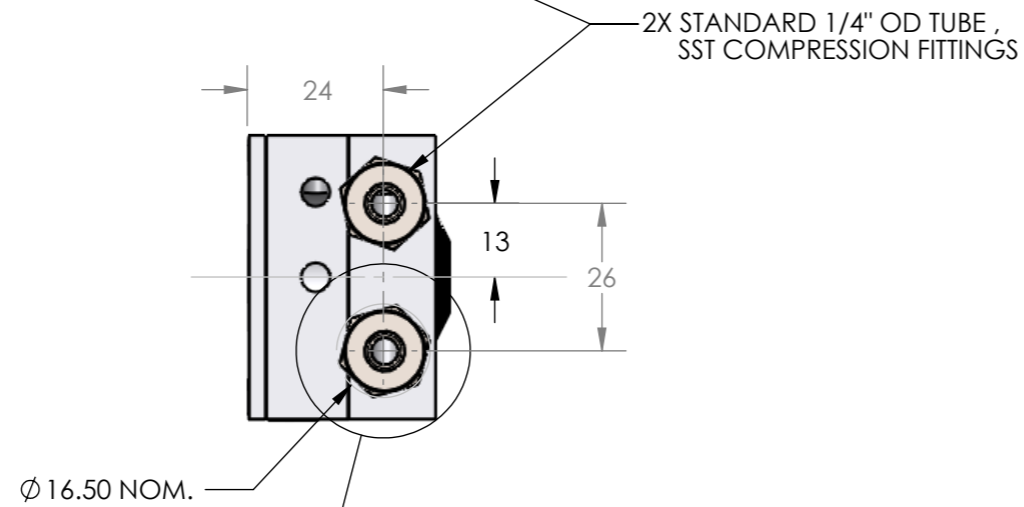
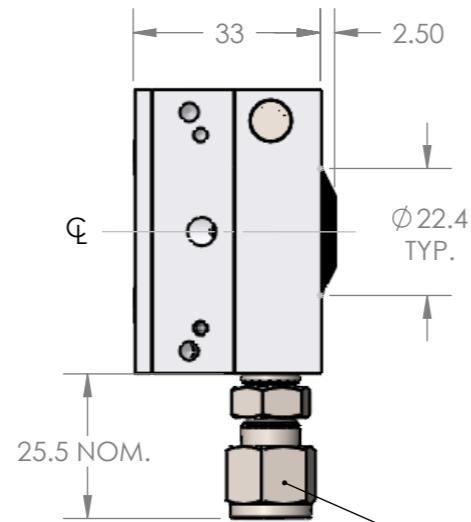
ML 2024-04-24
 J.P. 2024-03-26
 DETAIL B

J	MINOR CORRECTION	2024/02/27	ST	MAS		
REF.	REVISION	DATE	VER	APP		
TOLERANCE						
DEC. FRAC. ANGLE	√					
APP.	LAYOUT DRAWING					
VER.	UP19K... (WITHOUT PCB)					
Ronald VH						
DATE	13/12/2005	SK-8477		A3		
	3:4	1 OF 3				

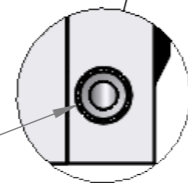
**FRONT VIEW,
UP19K...**



UP19K-100DI/150DI



2X 1/8 NPT ∇ 12
(COMPRESSION
FITTING REMOVED)



DETAIL C

NOTES:
 1- DIMENSIONS IN mm
 2- SEE P1 OF 3 FOR OTHER DETAILS

IMPORTANT:
 THIS DOCUMENT
 IS PROPERTY OF
 GENTEC ELECTRO-
 OPTICS, IT CANNOT
 BE DISTRIBUTED, USED
 OR REPRODUCED IN
 WHOLE OR IN PART
 WITHOUT EXPRESS
 WRITTEN AUTHORIZATION

REVISION	J	SEE PAGE 1 FOR DETAILS
----------	---	------------------------

TOLERANCE	
DEC.	\pm
FRAC.	\pm
ANGLE	\pm
	$\sqrt{\quad}$

SEE PAGE 1
FOR
APPROVALS

Ronald VH

DATE 13/12/2005

3:4

gentec- ϵ

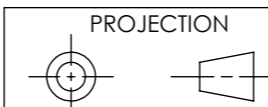
LAYOUT DRAWING

UP19K... (WITHOUT PCB)

SK-8477


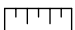
2 OF 3

A3



IMPORTANT:
THIS DOCUMENT
IS PROPERTY OF
GENTEC ELECTRO-
OPTICS, IT CANNOT
BE DISTRIBUTED, USED
OR REPRODUCED IN
WHOLE OR IN PART
WITHOUT EXPRESS
WRITTEN AUTHORIZATION

J	MINOR CORRECTION	2024/02/27	ST		
I	DIMENSION ADJUSTMENT	2022/03/23	ST		
H	MINOR CORRECTION	2021/07/28	ST		
G	UP19K-50F/110F-... MODEL UPDATE	2020/02/05	RL		
F	0.782" THREAD UPDATE	2019/11/07	RL		
E	UP19K-110F-... MODEL UPDATE	2019/08/29	RL		
D	UP19K-XXX-W5 APERTURE HAVE CHANGED	2019/03/28	SB		
C	VR INFORMATION ADDED	2009/11/18	RVH		
B	NOTE 6 ADDED, RELATIVE TO UP19K-xxx-W5	2007/01/29	RVH		
A	UP19K... DI VERSION ADDED TO P2 OF 2	2006/07/17	RVH		
REF.	REVISION	DATE	VER	APP	

<p>TOLERANCE</p> <p>DEC. ±</p> <p>FRAC. ±</p> <p>ANGLE ±</p> <p>√</p>		
APP.	LAYOUT DRAWING	
VER.	UP19K... (WITHOUT PCB)	
— Ronald VH		
DATE 13/12/2005	SK-8477	
 1:1	3 OF 3	A4

