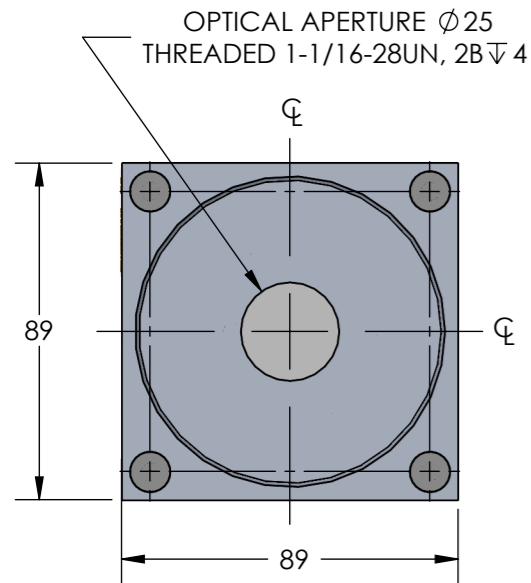
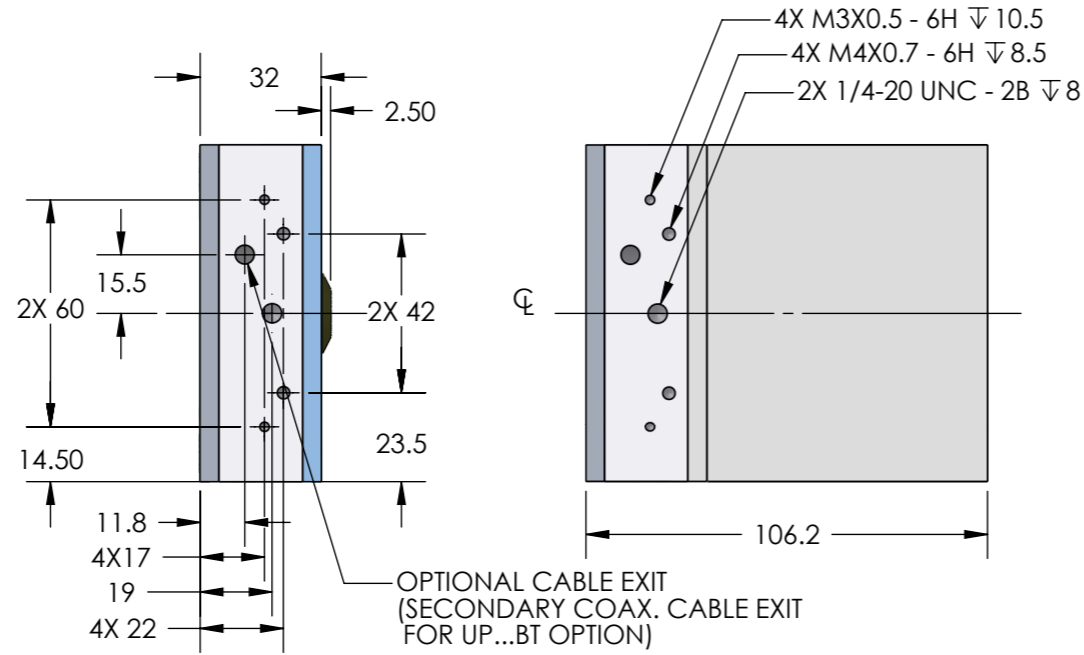


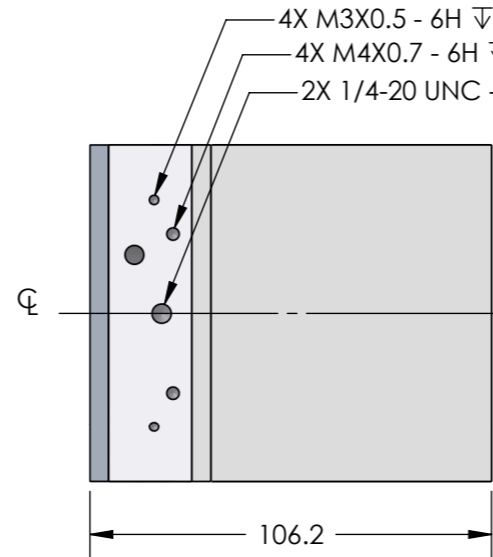
FRONT VIEW, UP25N...



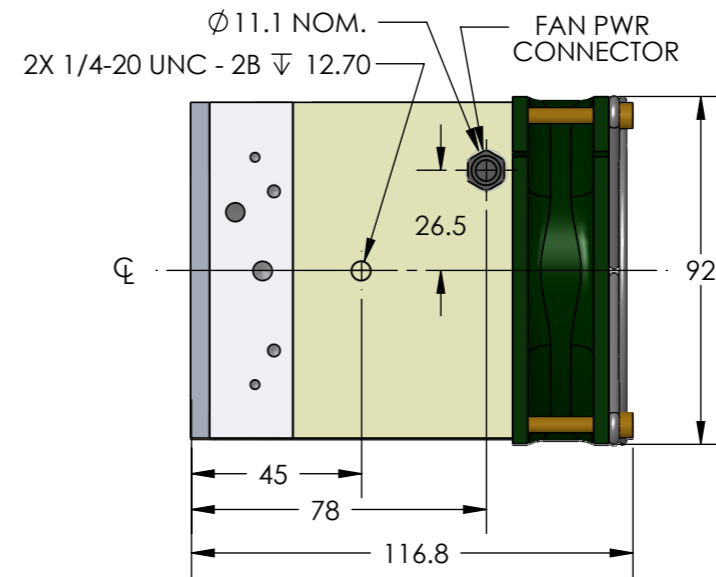
UP25N-40S



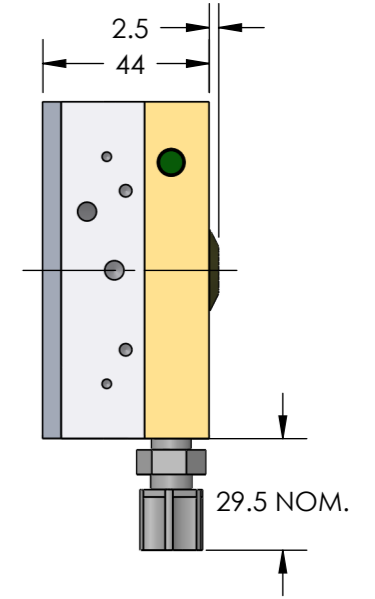
UP25N-100H



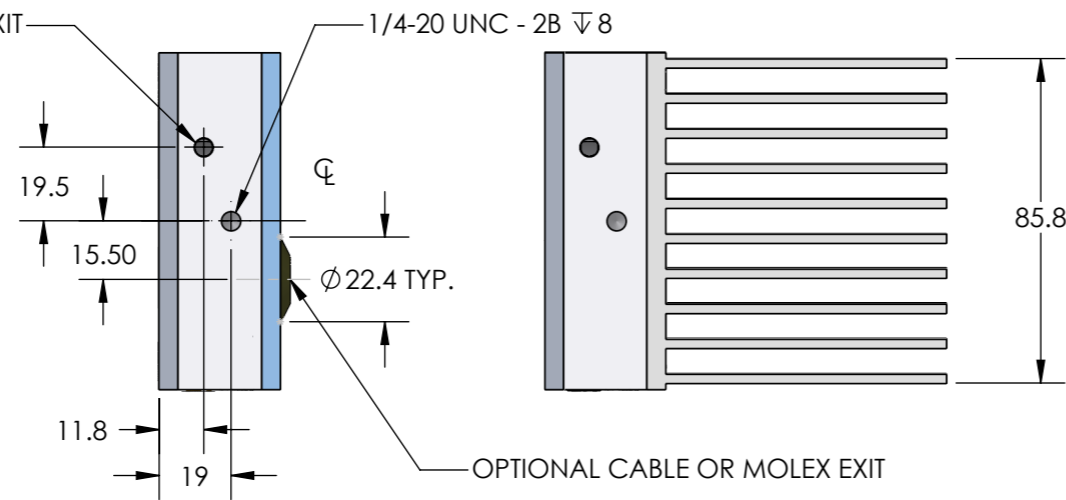
UP25N-250F



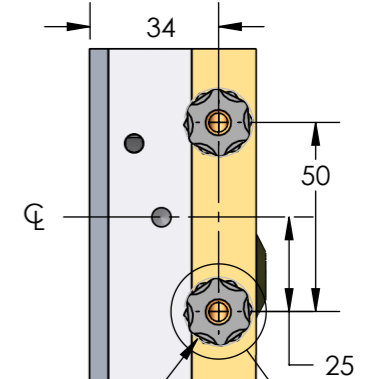
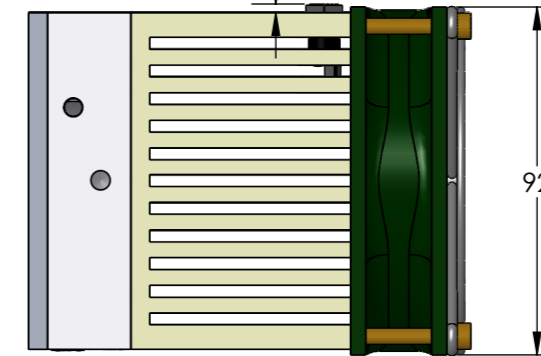
UP25N-300W



STANDARD CABLE EXIT



2.3 NOM.



2X Ø 18.2 NOM.

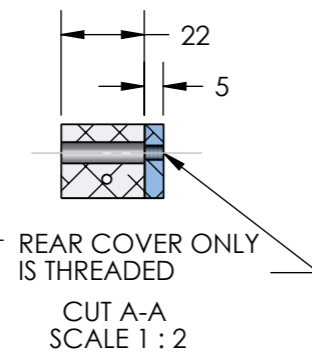
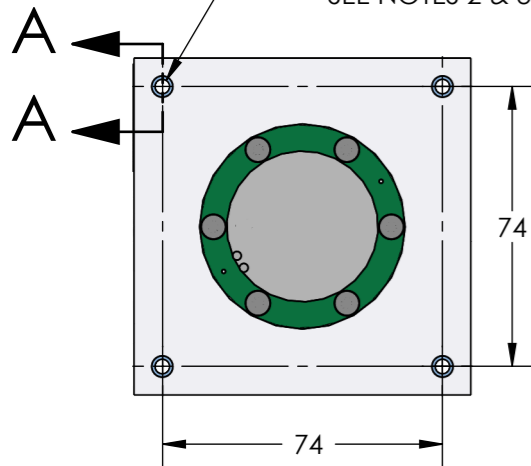
DETAIL B
SCALE 1:1

2X 1/8 NPT 11
(COMPRESSION
FITTING REMOVED)

ML 2024-04-24 BT 2024-04-17 2024-04-11
ST 2024-04-09 MAS

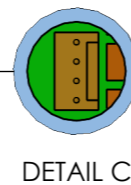
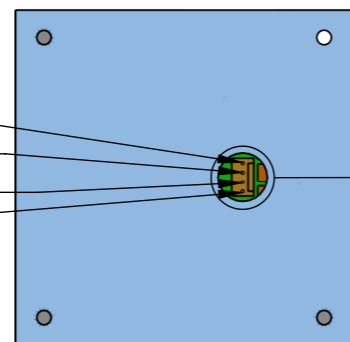
- NOTES:
1- DIMENSIONS IN mm
2- FASTENER LENGTH = 27mm + THICKNESS OF CUSTOMER SUPPLIED MOUNT
3- WATTMETER MUST BE FASTENED FROM THE FRONT IN ORDER TO SUPPORT THE BODY AND THE REAR COVER OR HEATSINK.

4X 10-24 UNC- 2B 5
SEE NOTES 2 & 3

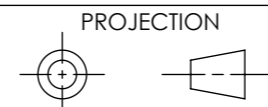


**OPTIONAL UP25N...-MT-B
MOLEX CONNECTOR PIN OUT**

- (1) SIGNAL OUT
- (2) SUPPLY 12 VDC
- (3) GROUND / SHIELD
- (4) N/A

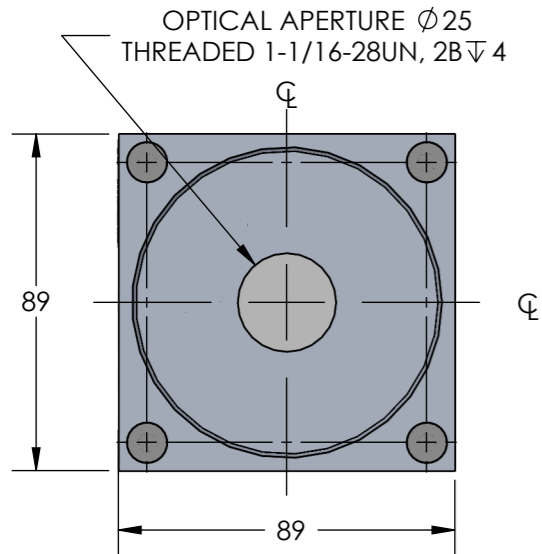


IMPORTANT:
THIS DOCUMENT IS PROPERTY OF GENTEC ELECTRO-OPTICS, IT CANNOT BE DISTRIBUTED, USED OR REPRODUCED IN WHOLE OR IN PART WITHOUT EXPRESS WRITTEN AUTHORIZATION

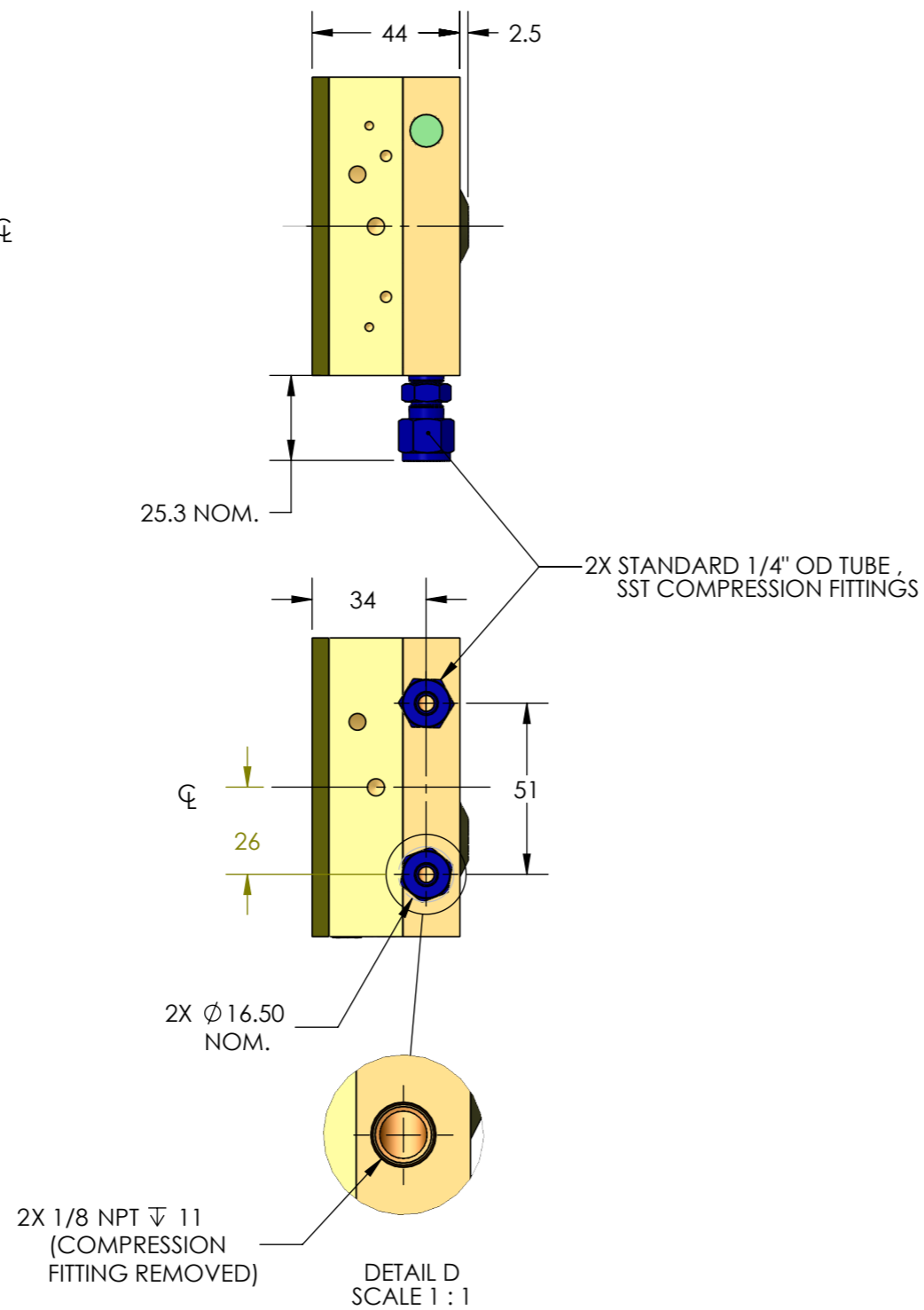


D	SEE PAGE 2 FOR DETAILS				
REF.	REVISION	DATE	VER	APP	
TOLERANCE					
DEC.	±				
FRAC.	±				
ANGLE	±				
APP.					
VER.					
DOMINYK ROY		LAYOUT DRAWING			
DATE	22/10/2003	UP25N...			
1:2		SK-8474		A3	
		1 OF 2			

FRONT VIEW, UP25N...

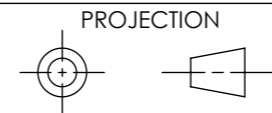


UP25N-xxxDI



NOTES:
 1- DIMENSIONS IN mm
 2- SEE P1 OF 2 FOR OTHER DETAILS

IMPORTANT:
 THIS DOCUMENT
 IS PROPERTY OF
 GENTEC ELECTRO-
 OPTICS, IT CANNOT
 BE DISTRIBUTED, USED
 OR REPRODUCED IN
 WHOLE OR IN PART
 WITHOUT EXPRESS
 WRITTEN AUTHORIZATION



REF.	REVISION	DATE	VER	APP
D	MINOR CORRECTION	2024-02-27	ST	
C	APERTURE THREAD ADDED	11/12/16	RVH	
B	NOMENCLATURE CORR. DI VERSION	11/08/17	RVH	
A	UP2x... DI VERSION ADDED TO P2 OF 2	25082006	RVH	

TOLERANCE	
DEC.	±
FRAC.	±
ANGLE	±
√	
APP.	
VER.	
DATE	22/10/2003
SCALE	1:2

gentec-eo

LAYOUT DRAWING

UP25N...

SK-8474 2 OF 2 **A3**