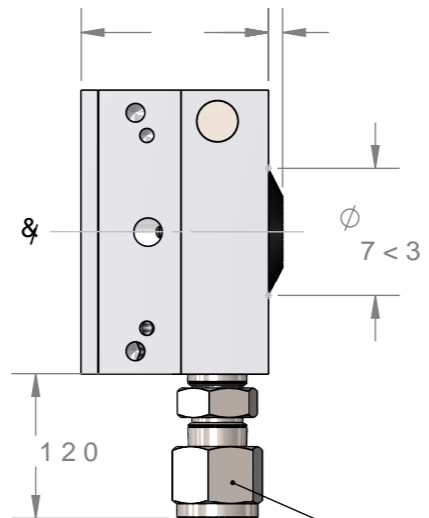
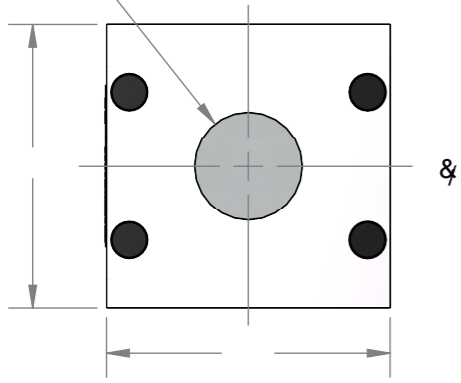


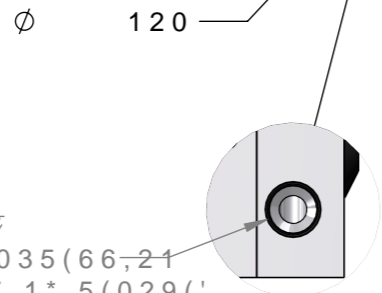
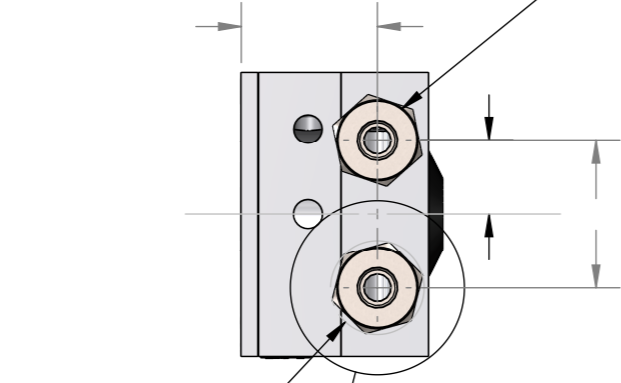
5217 9.(:
83 .

83 .

237, & \$/ \$3(5785(
∅ 83 . [[+[:
∅ 83 . [[90 95



; 67\$1'\$5' 2' 78%(
667 & 2035(66,21),77,1*6



; 13∇
& 2035(66,21
,77,1* 5(029('

'(7\$, / &

127(6
,0(16,216 ,1 PP
6((3 2))25 27+(5 '(7\$, /6 %(' ,675,%87(' 86'

,03257\$17
7+,6 '2&80(17
,6 3523(57< 2)
*(17(& /(&752
237,&6 ,7 &\$1127
25 5(352'8&(' ,1
:+2/(25 ,1 3\$57
:,7+287 (:35(66
:5,77(1 \$87+25,=\$7

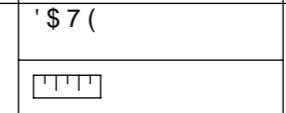
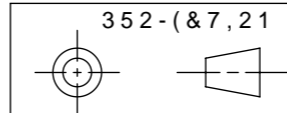
5(9,6,21, 6((3\$*()25 '(7\$, /6

72/(5\$1&(
'(& "
)5\$& "
\$1*/("
√



6((3\$*(
)25
\$33529\$/6
21 5RQDOG 9+

/\$<287 '5\$:,1*
83 . : ,7+287 3&%



6 . 2) \$

,03257\$17
 7+,6 '2&80(17
 ,6 3523(57< 2)
 *(17(& (/(&752
 237,&6 ,7 &\$1127
 %(' ,675,%87(' 86(
 25 5(352'8&(' ,1
 :+2/(25 ,1 3\$57
 : ,7+287 (;35(66
 :5,77(1 \$87+25,=\$7

,	' ,0(16,21 \$'-867(0(17			
+	0,125 &255(&7,21			
*	83 .)) 02'(/ 83'\$7(
)	7+5(\$' 83'\$7(
(83 .) 02'(/ 83'\$7(
'	83 . ;;; : \$3(5785(+\$9(&+\$1*('			
&	95 ,1)250\$7,21 \$''('			
%	127(\$''(' 5(/\$7,9(72 83 . [[[:			
\$	83 . ' , 9(56,21 \$''(' 72 3 2)			
5()	5(9,6,21	'\$7(9(5 \$33	


72/(5\$1&(

'(&	"
)5\$&	"
\$1*/("

\$33

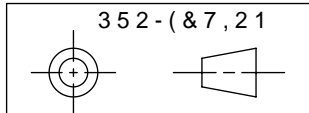
9(5

21 5RQDOG 9+



/\$<287 '5\$:,1*

83 . : ,7+287 3&%



'\$7(

6 .

2)

\$