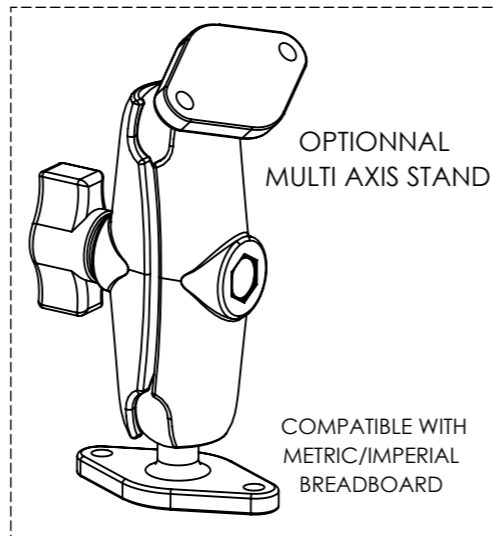
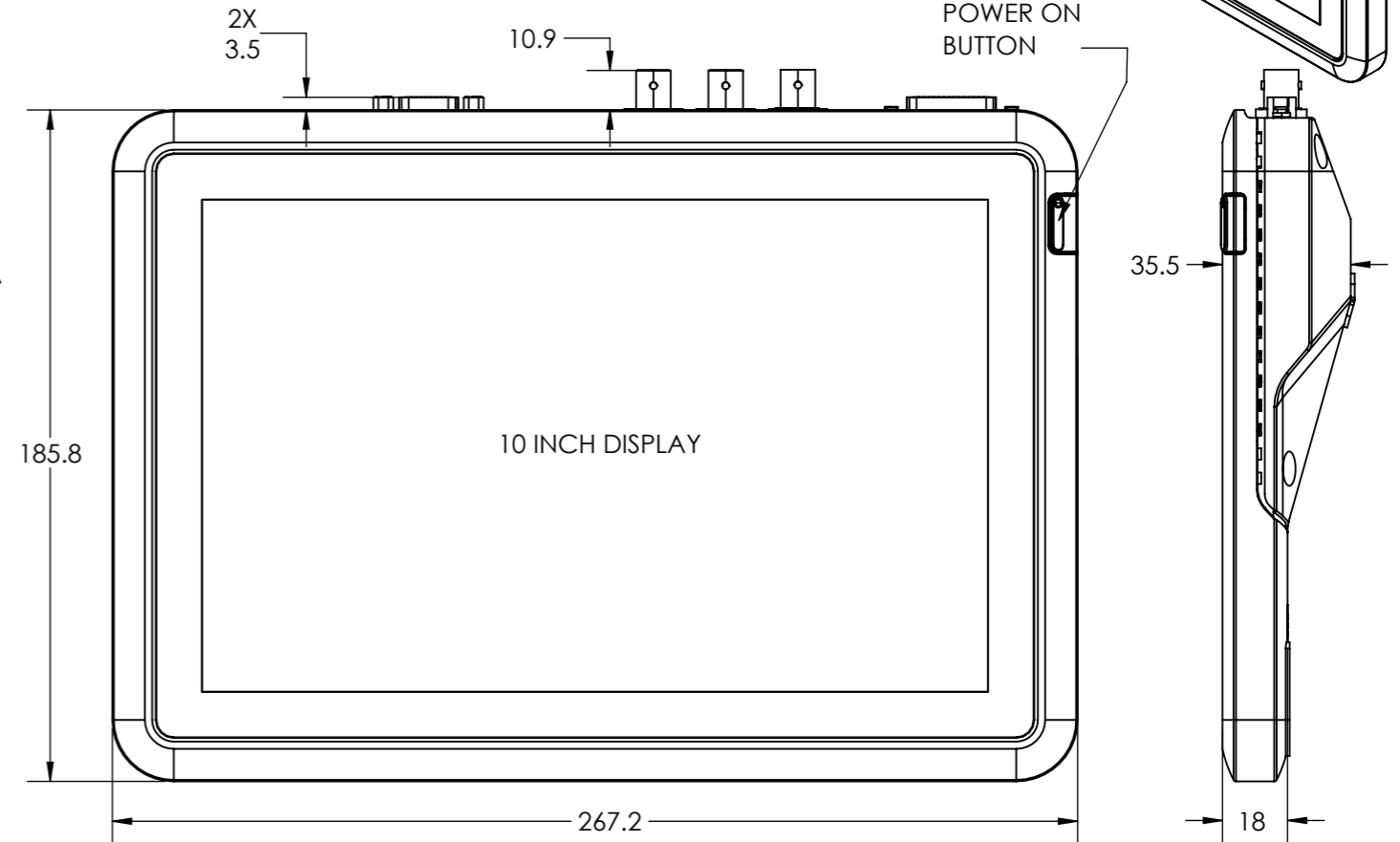
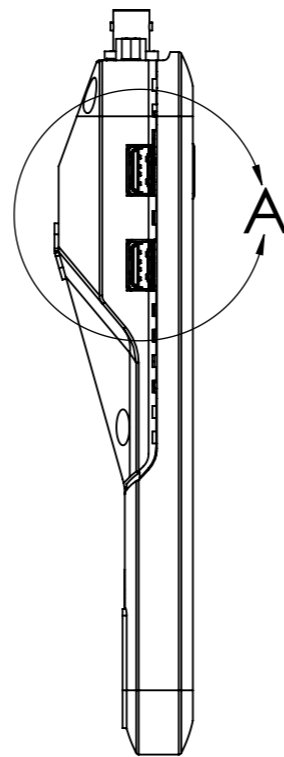


2X  
10-32 ∇ 6mm  
STAND HOLES

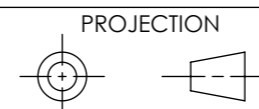
1/4-20 ∇ 8mm  
MOUNTING HOLE

BUMPERS



NOTES:  
1- DIMENSION IN mm  
2- BODY MATERIAL: ALUMINIUM  
3- WEIGHT: 1.56 KG

**IMPORTANT:**  
THIS DOCUMENT IS PROPERTY OF GENTEC ELECTRO-OPTICS, IT CANNOT BE DISTRIBUTED, USED OR REPRODUCED IN WHOLE OR IN PART WITHOUT EXPRESS WRITTEN AUTHORIZATION



REF.	REVISION	DATE	VER	APP
		2021-10-26		
		2021-10-22		
APP. <i>S.K.</i> Stéphane Kirouac		LAYOUT DRAWING		
VER. <i>S.B.</i> S. BOUCHARD		MIRO MONITOR		
DATE 2021-10-22		SK-10252		A3
1:2				