

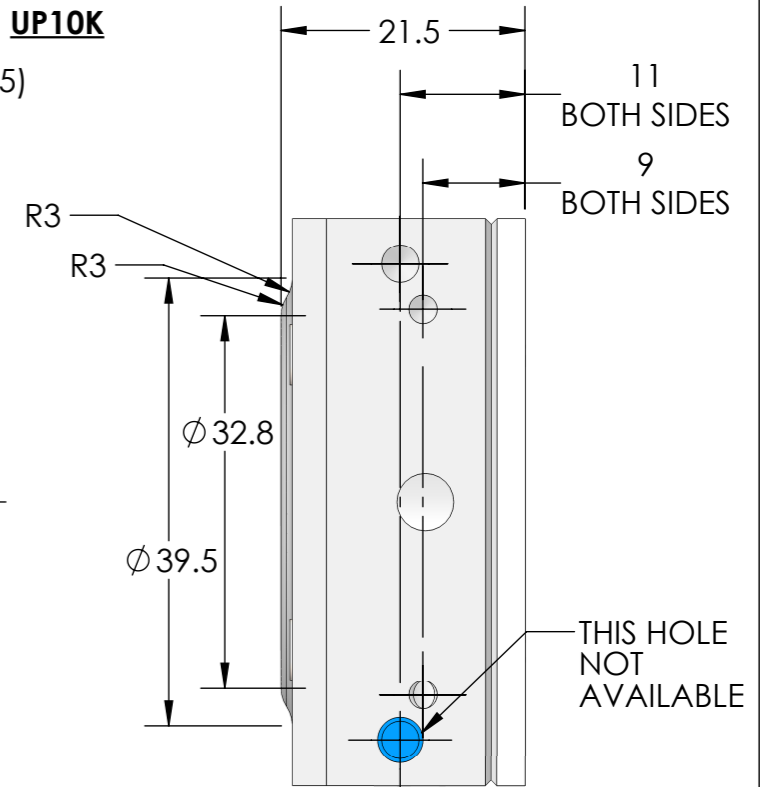
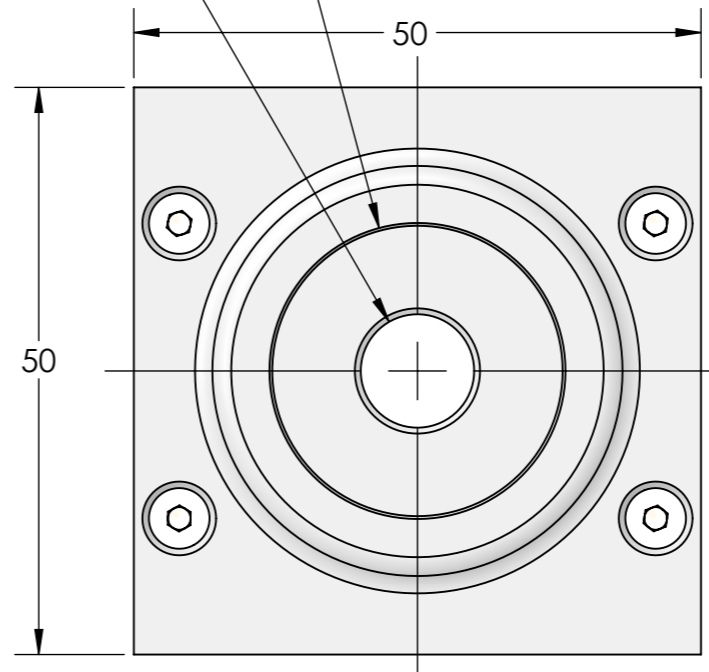
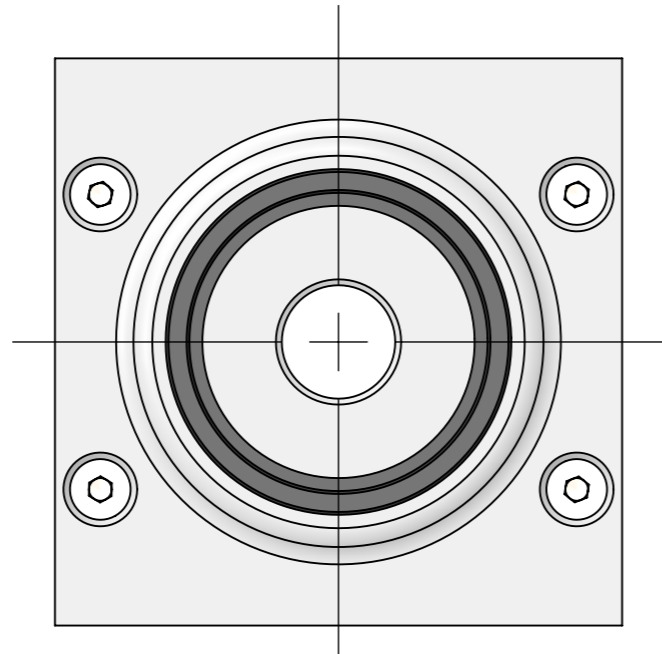
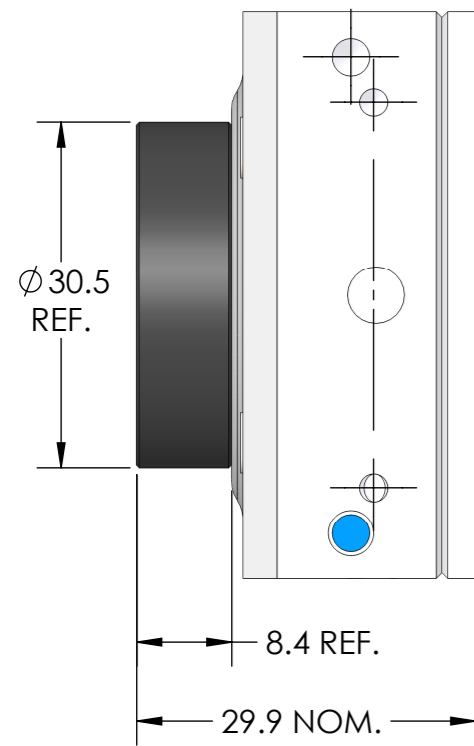
**UPF10K
(WITH SM1 RING AND FILTER ADDED)**

$\phi 10$
OPTICAL APERTURE

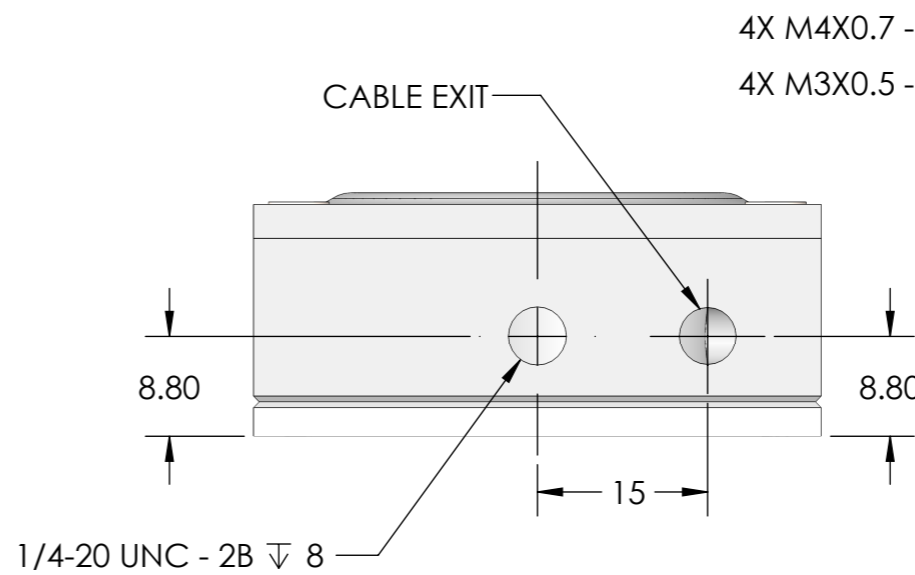
SM1
(1.035"-40.0, UNS-2B ∇ 2.5)

UP10K

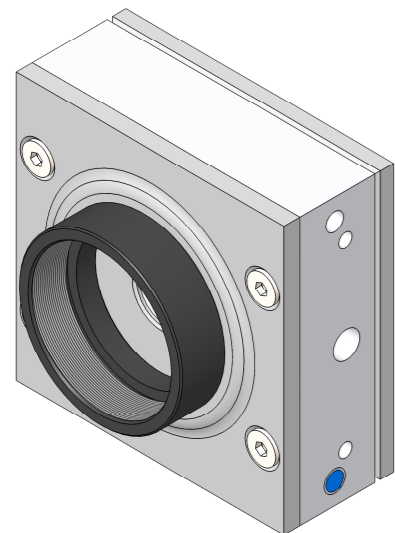
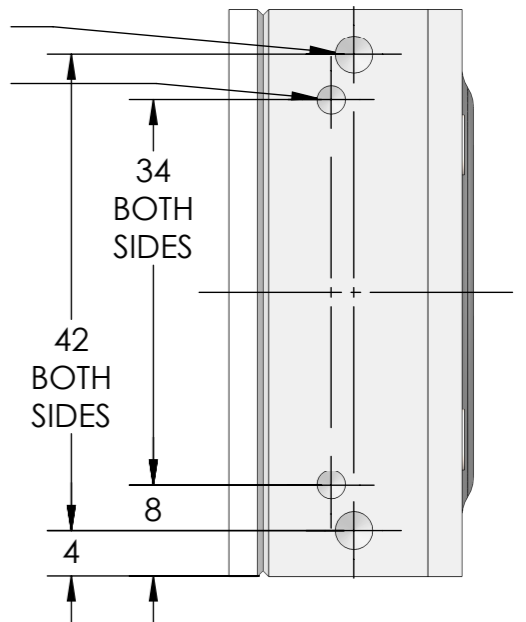
RIGHT SIDE VIEW



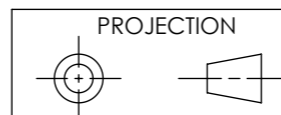
LEFT SIDE VIEW



4X M4X0.7 - 6H ∇ 8
4X M3X0.5 - 6H ∇ 5



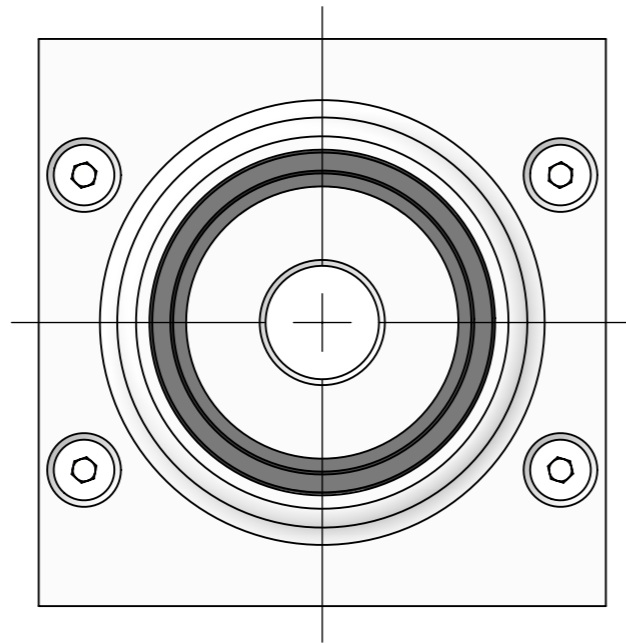
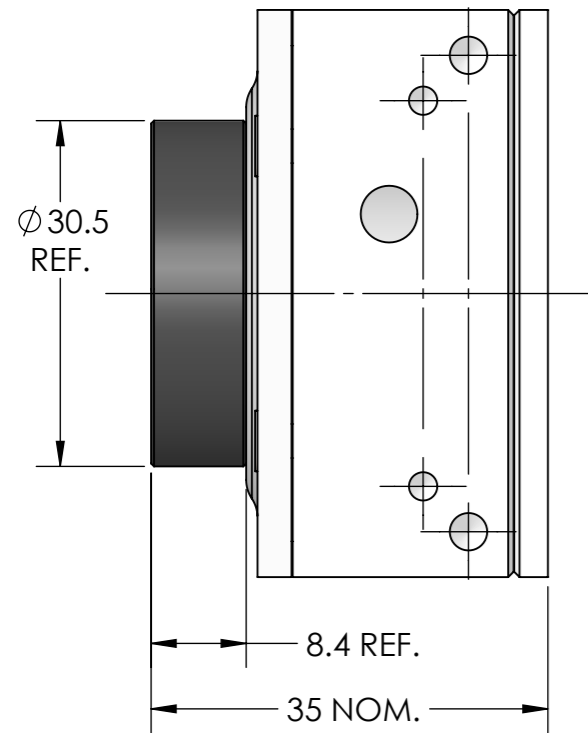
IMPORTANT:
THIS DOCUMENT
IS PROPERTY OF
GENTEC ELECTRO-
OPTICS, IT CANNOT
BE DISTRIBUTED, USED
OR REPRODUCED IN
WHOLE OR IN PART
WITHOUT EXPRESS
WRITTEN AUTHORIZATION



REF.	REVISION	DATE	VER	APP
gentec-eo				
LAYOUT DRAWING				
UP10K/UPF10K				
DATE		2015/08/31		SK-9529 P 1 OF 2
TOLERANCE		1.5:1		
				A3

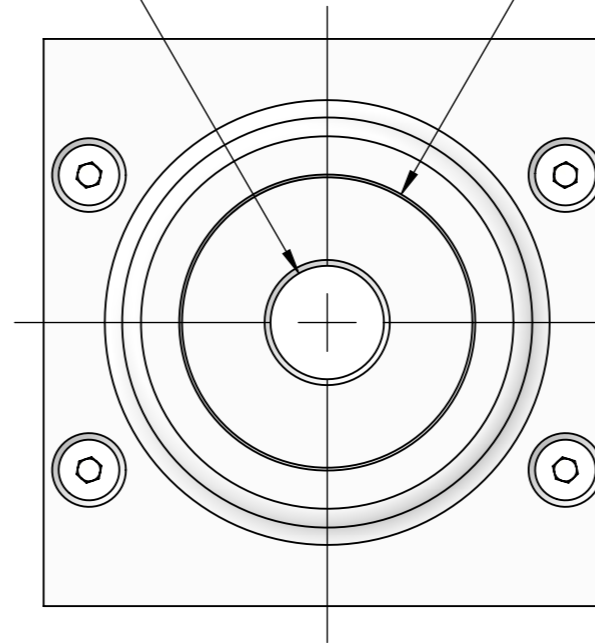
**UPF10K-PCB
(WITH SM1 RING AND FILTER ADDED)**

RIGHT SIDE VIEW

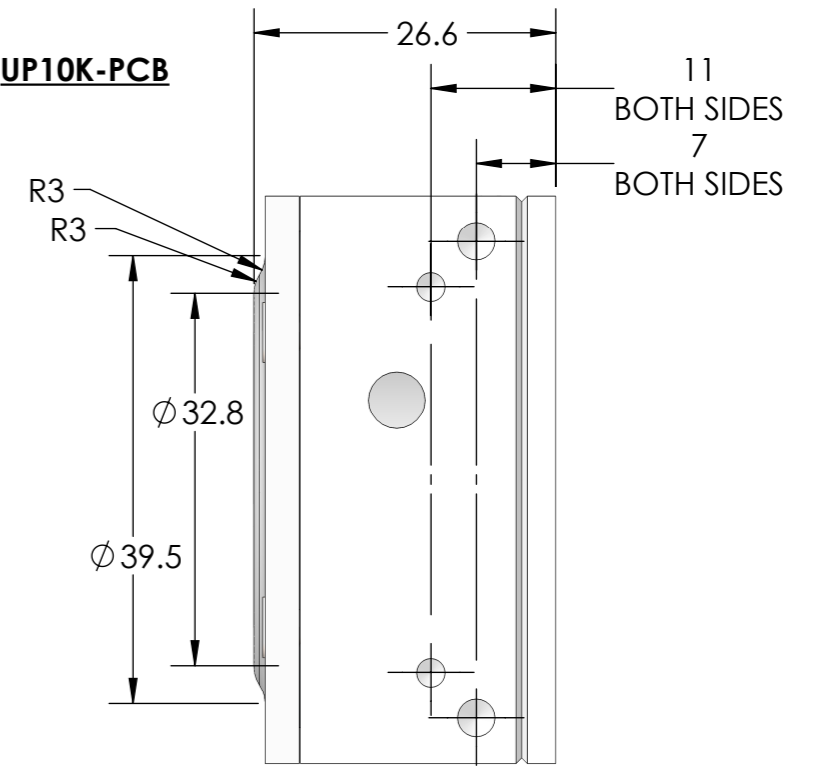


Ø 10
OPTICAL APERTURE

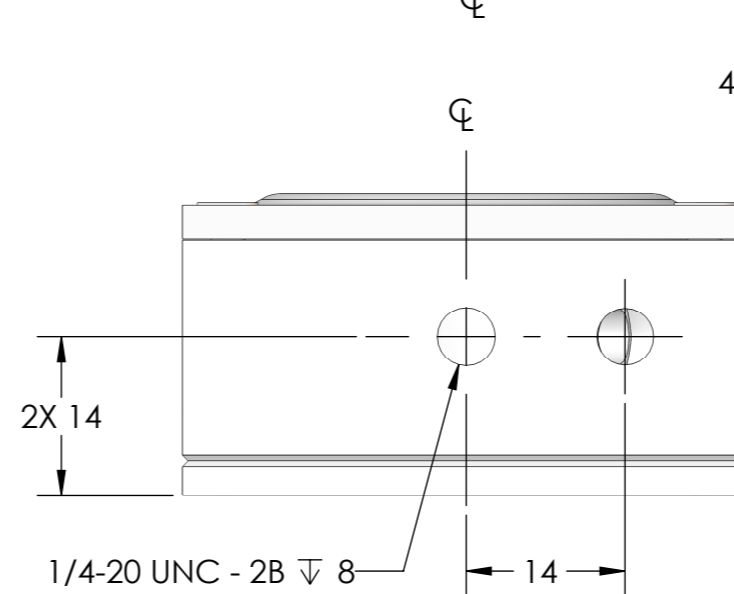
SM1
(1.035"-40.0, UNS-2B ∇ 2.5)



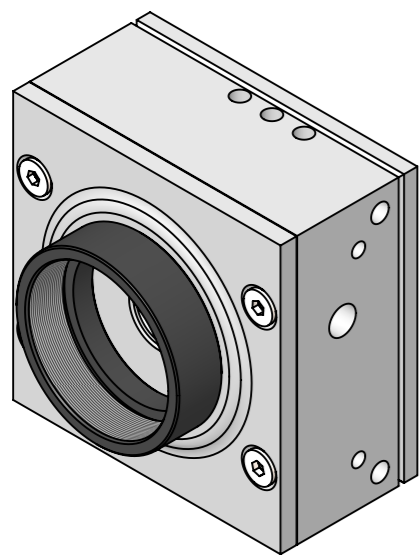
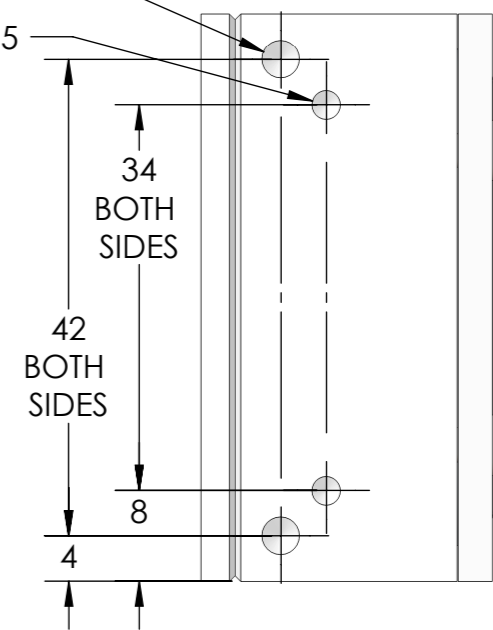
UP10K-PCB



LEFT SIDE VIEW

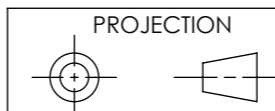


4X M4X0.7 - 6H ∇ 8
4X M3X0.5 - 6H ∇ 5



IMPORTANT:

THIS DOCUMENT IS PROPERTY OF GENTEC ELECTRO-OPTICS, IT CANNOT BE DISTRIBUTED, USED OR REPRODUCED IN WHOLE OR IN PART WITHOUT EXPRESS WRITTEN AUTHORIZATION



REVISION	-	SEE PAGE 1 FOR DETAILS
----------	---	------------------------

TOLERANCE	
DÉC.	±
FRAC.	±
ANGLE	±
	√

SEE PAGE 1 FOR APPROVALS
Ronald vh

DATE	2015/08/31
	1.5:1



LAYOUT DRAWING
UP10K-PCB/UPF10K-PCB

SK-9529	P 2 OF 2	A3
---------	----------	----