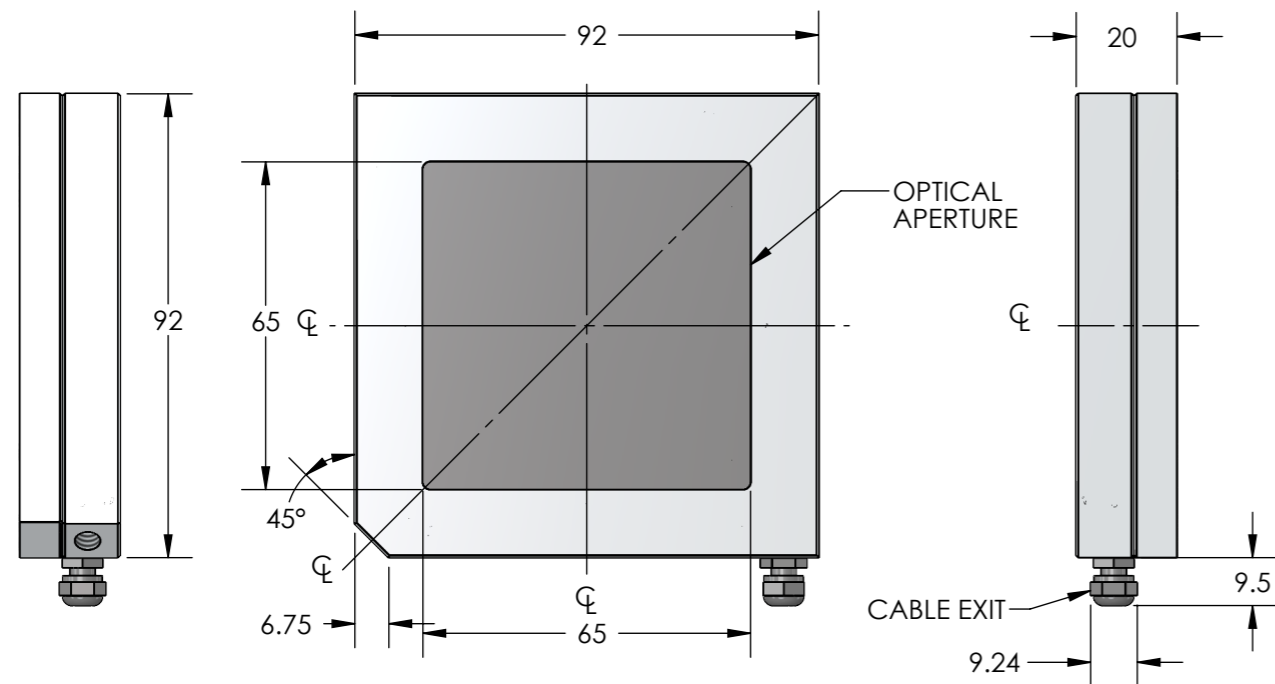
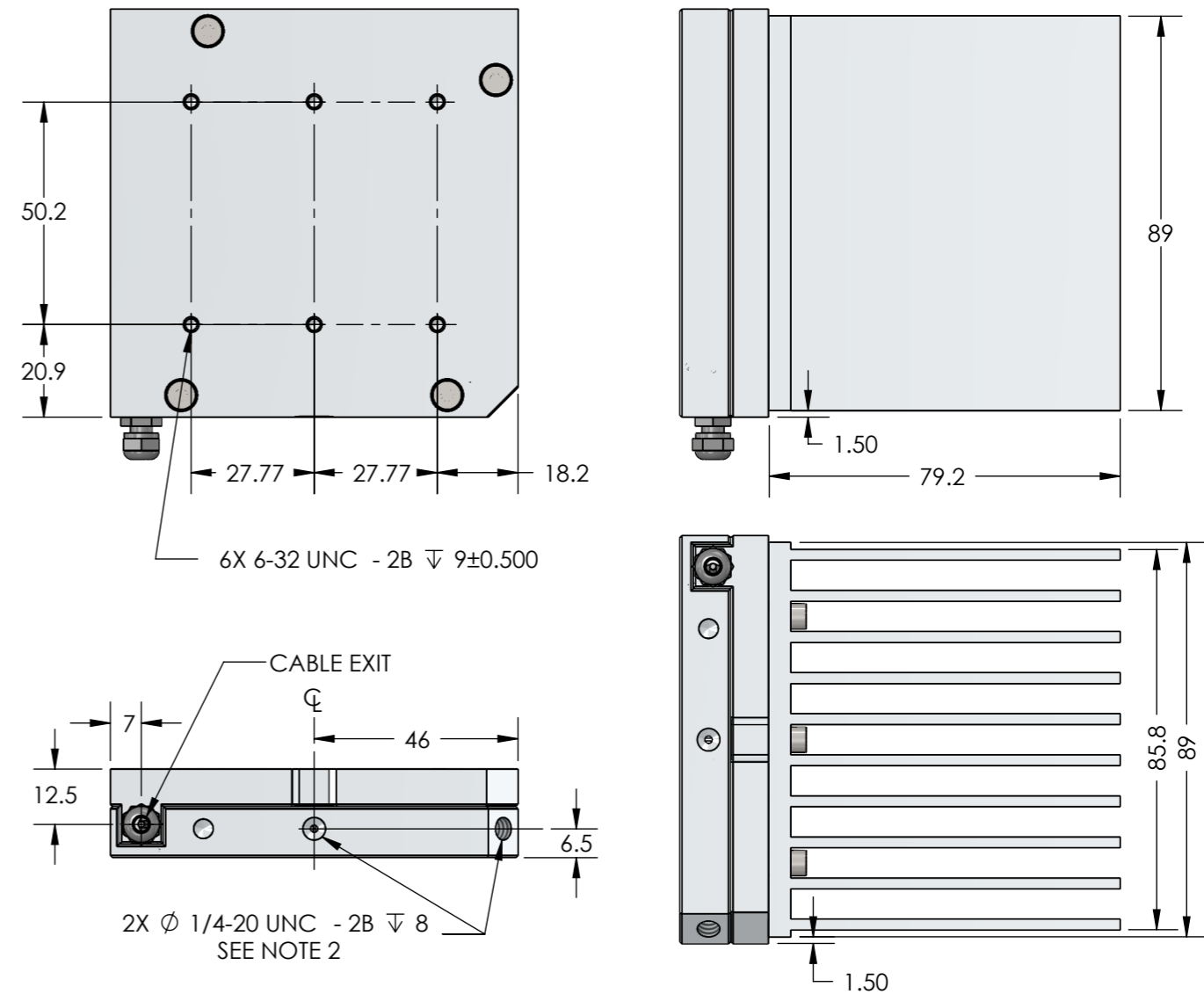


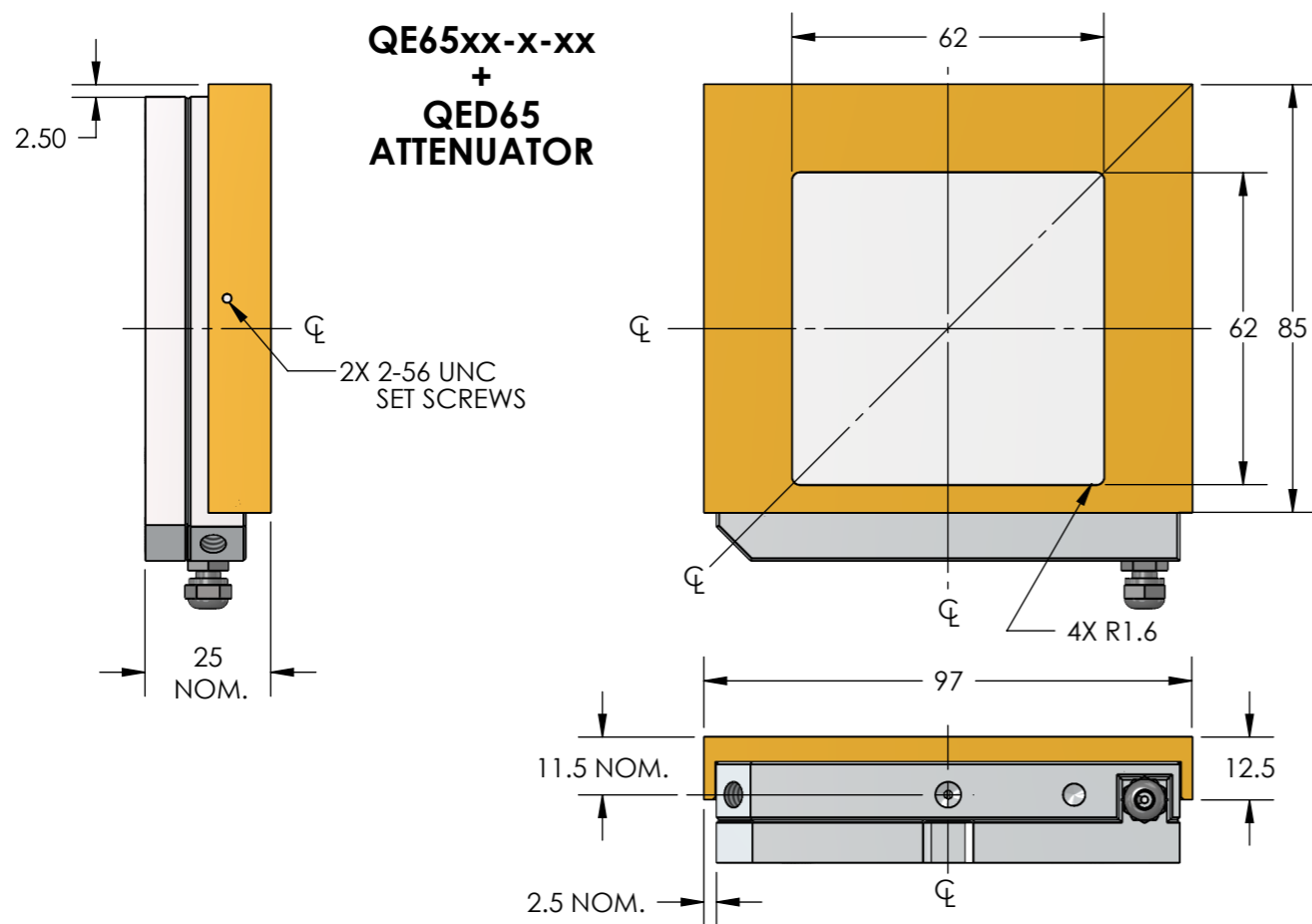
QE65xx-S-xx



QE65xx-H-xx



QE65xx-x-xx
+
QED65
ATTENUATOR



NOTES:
1- DIMENSIONS IN mm
2- FOR MOUNTING POST

ST 2021/12/10

IMPORTANT:
THIS DOCUMENT
IS PROPERTY OF
GENTEC ELECTRO-
OPTICS, IT CANNOT
BE DISTRIBUTED, USED
OR REPRODUCED IN
WHOLE OR IN PART
WITHOUT EXPRESS
WRITTEN AUTHORIZATION



A	SELON DCI-ACI-3848	2021/12/10	ST	J.P.
REF.	REVISION	DATE	VER	APP
TOLERANCE		2021-12-10		
DEC.	±			
FRAC.	±			
ANGLE	±			
APP.	√	LAYOUT DRAWING JOULEMETER AND ATTENUATOR QE65 SERIES		
VER.				
	Ronald VH			
DATE	2010/02/23	SK-9009		A3
	2:3			