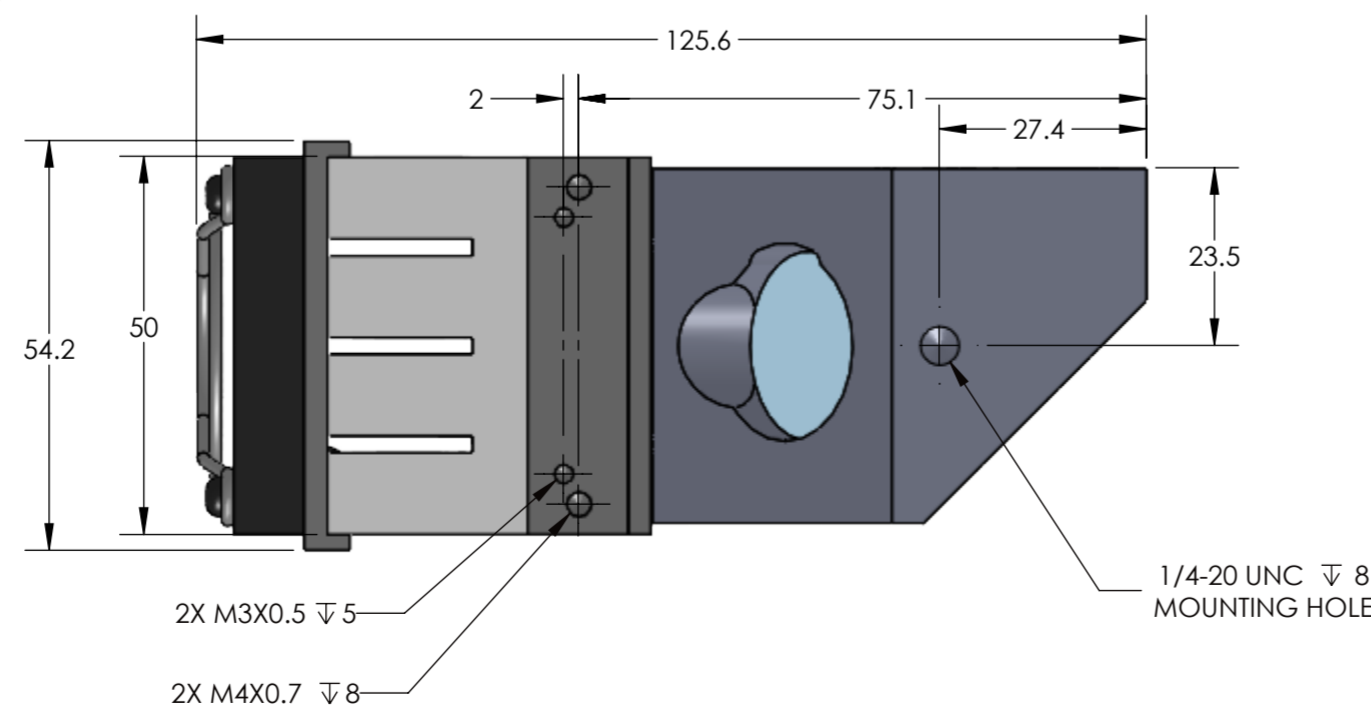
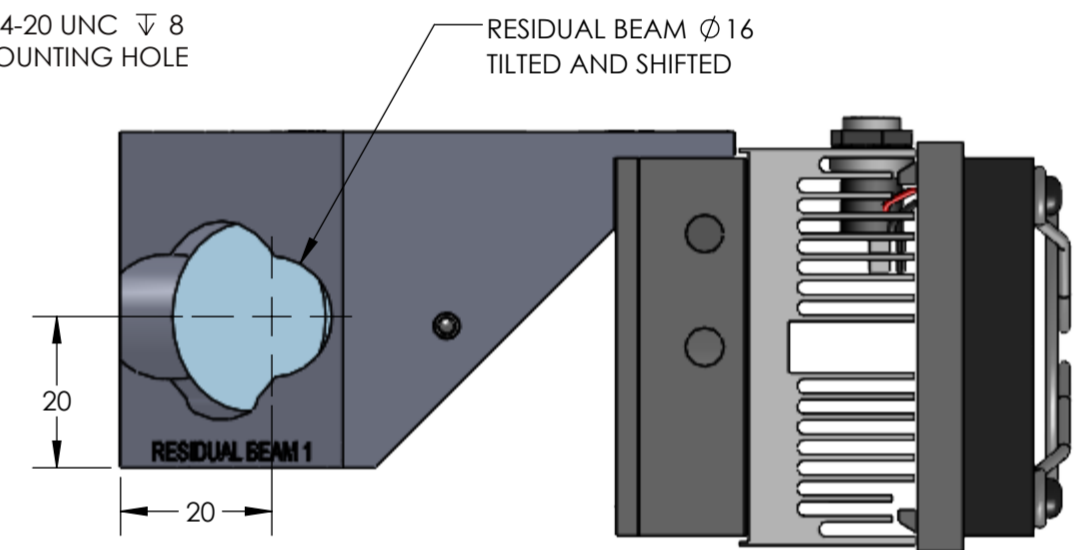
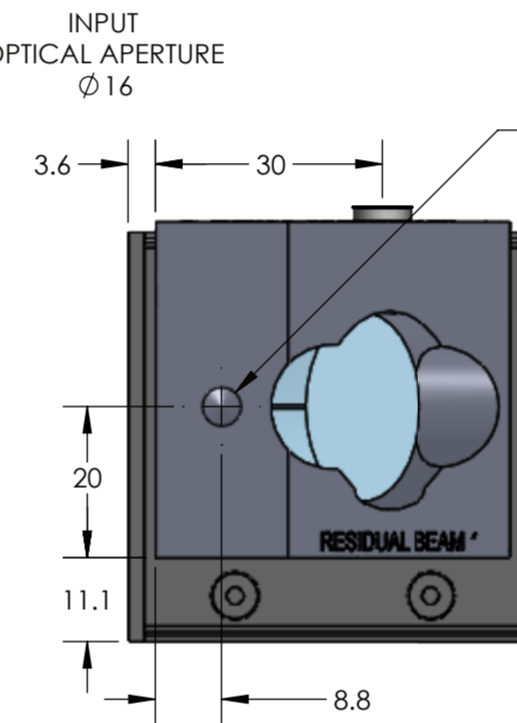
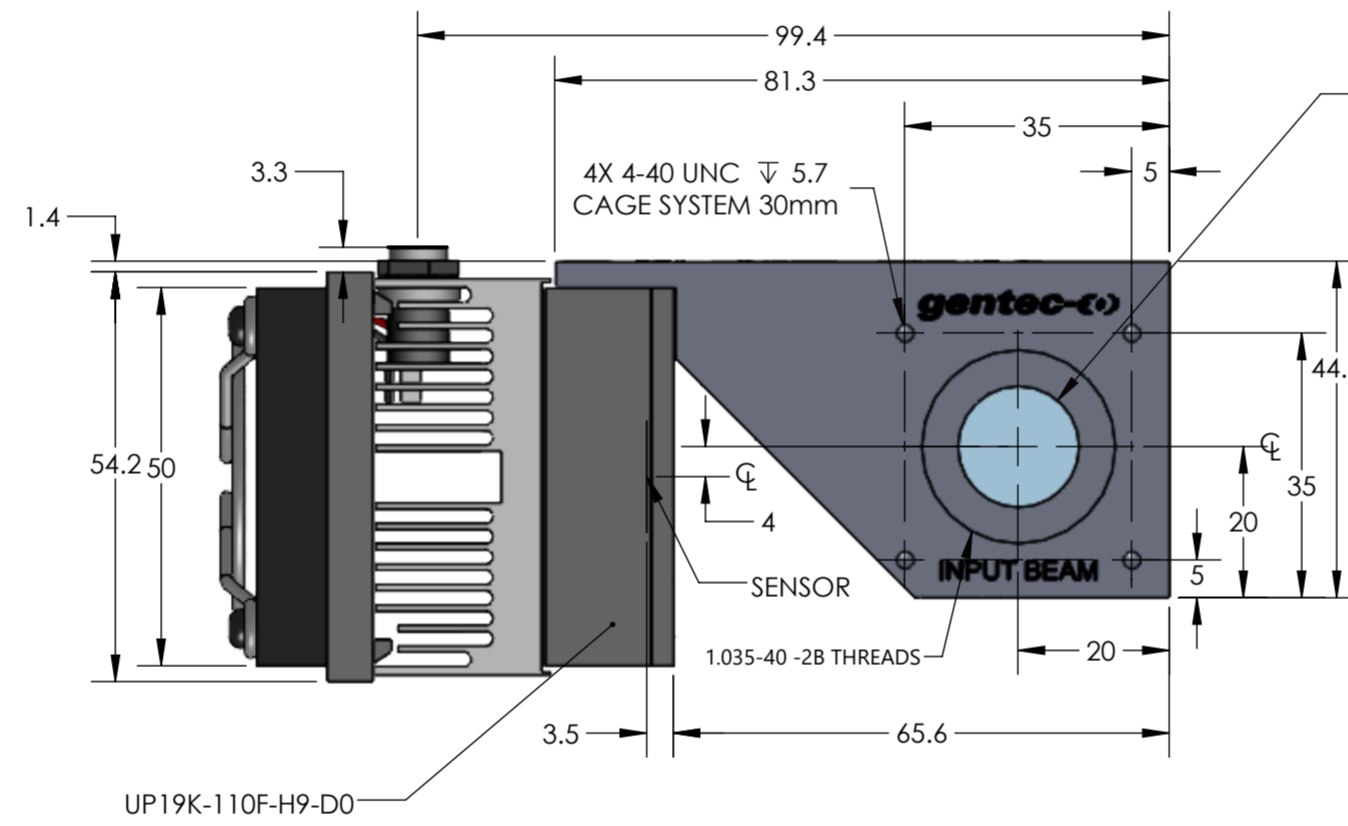
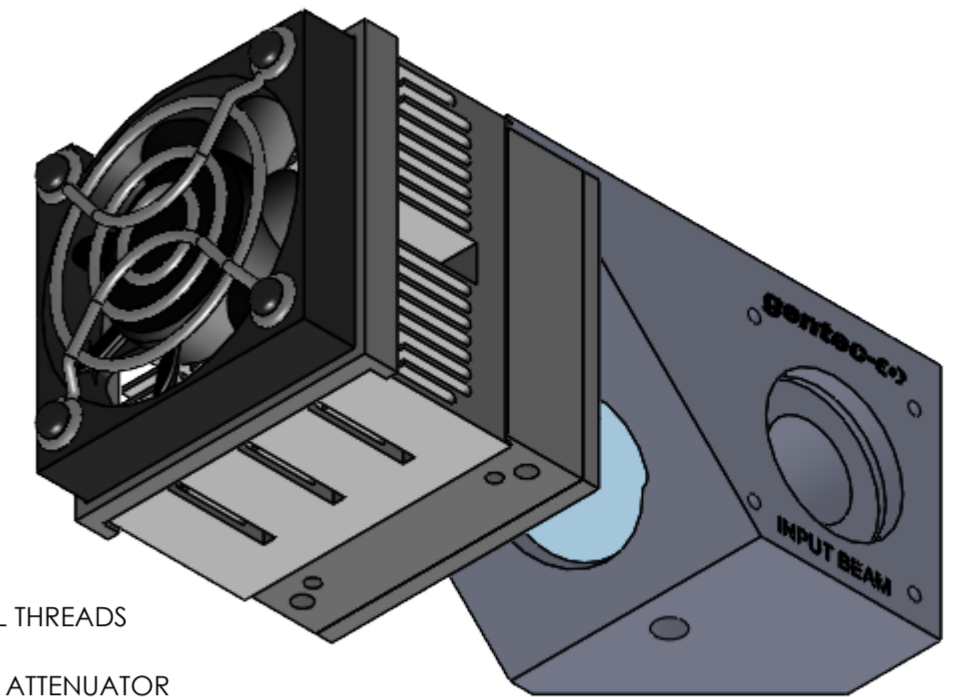


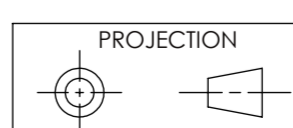
1.035-40 EXTERNAL THREADS  
TUBE ADAPTOR  
LINK BETWEEN THE ATTENUATOR  
AND THE BEAMAGE



NOTES:  
1- DIMENSION IN mm.  
2- THIS IS ONLY AN EXAMPLE. THE COMPLETE ASSEMBLY MAY CHANGE DUE TO SPECIFIC LASER PARAMETERS.  
3- REFER TO SPECIFIC MANUAL FOR DETECTOR AND BEAMAGE-4M CABLES LENGTH.

ML 2024-04-24  
GT 2024-04-17  
ST 2024-03-26  
MAS 2024-02-28  
ST 2024-02-26

**IMPORTANT:**  
THIS DOCUMENT IS PROPERTY OF GENTEC ELECTRO-OPTICS, IT CANNOT BE DISTRIBUTED, USED OR REPRODUCED IN WHOLE OR IN PART WITHOUT EXPRESS WRITTEN AUTHORIZATION

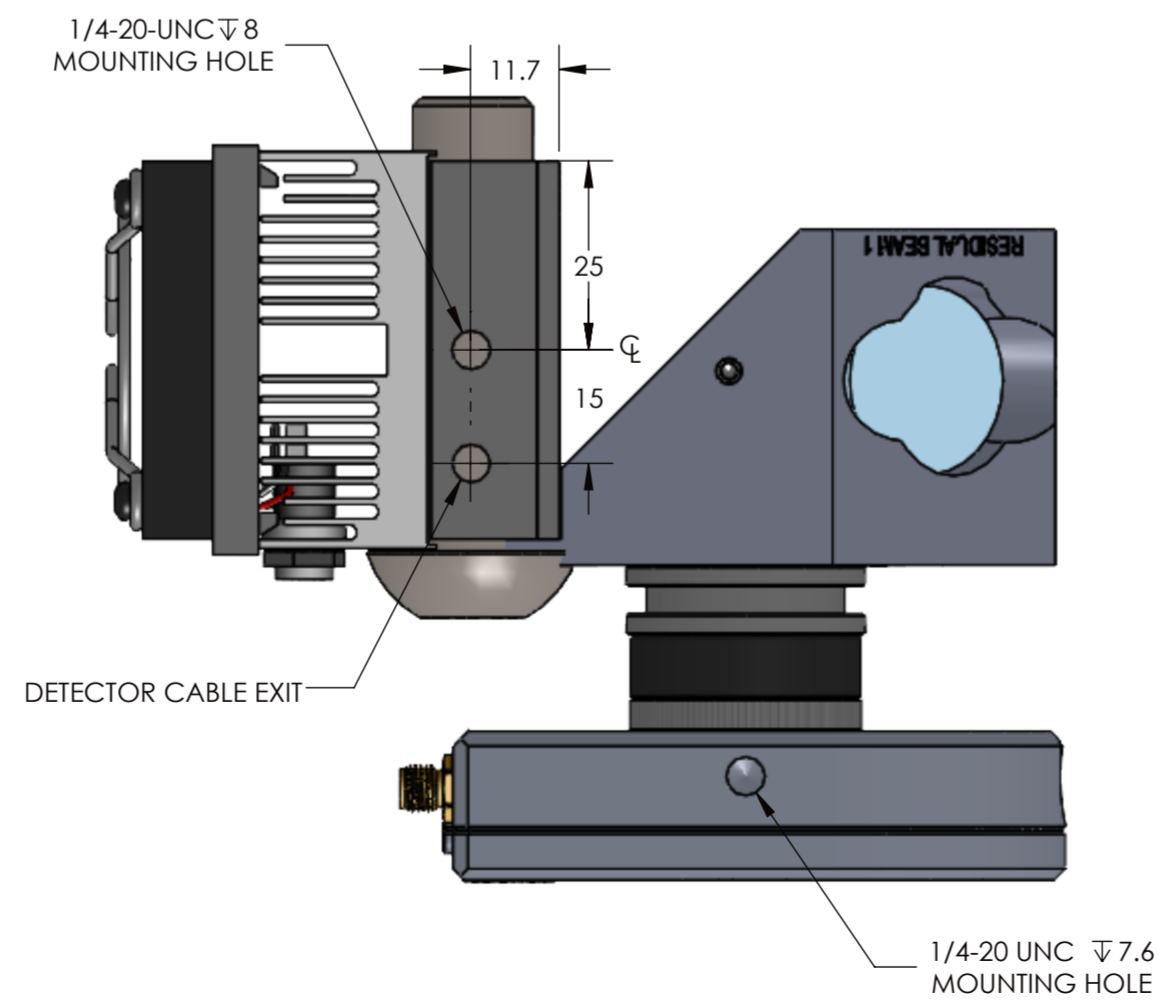
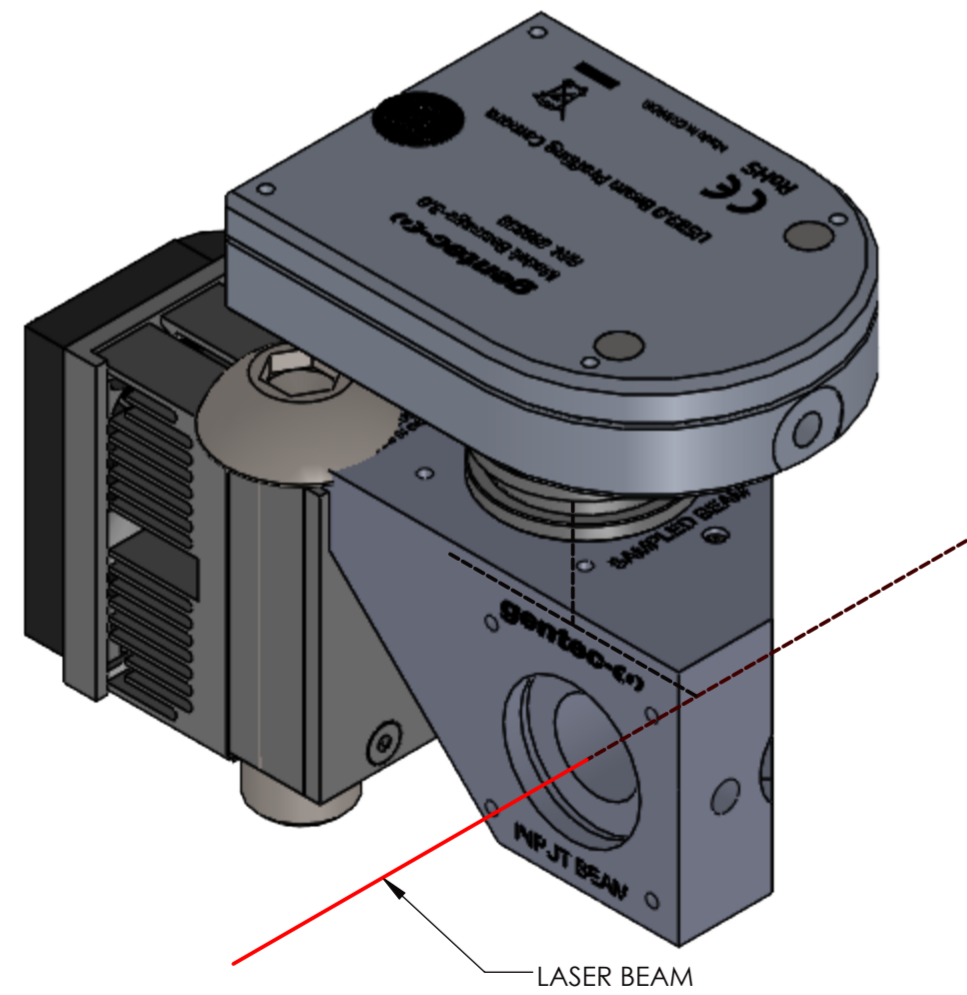
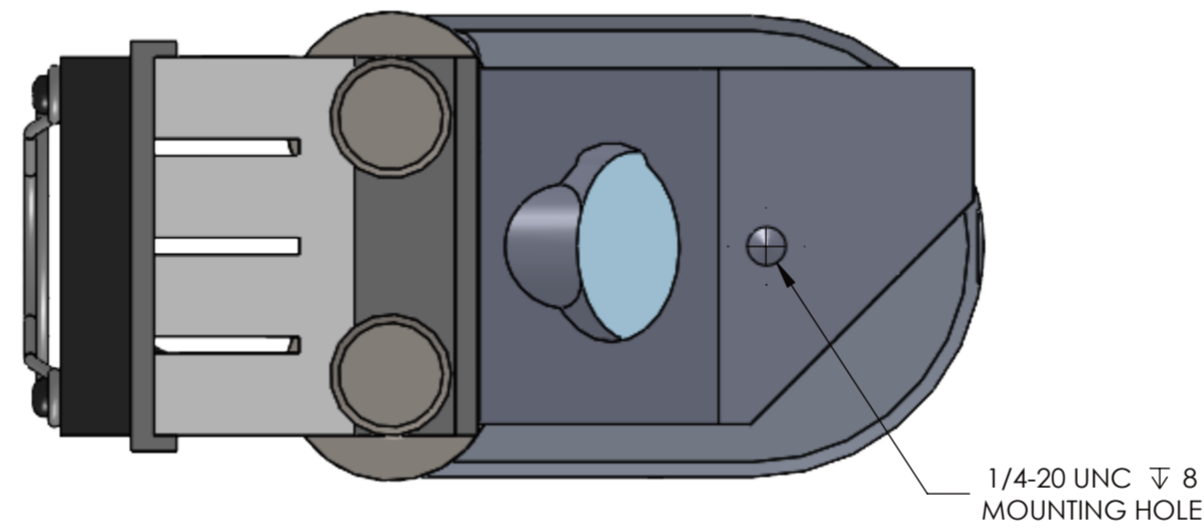
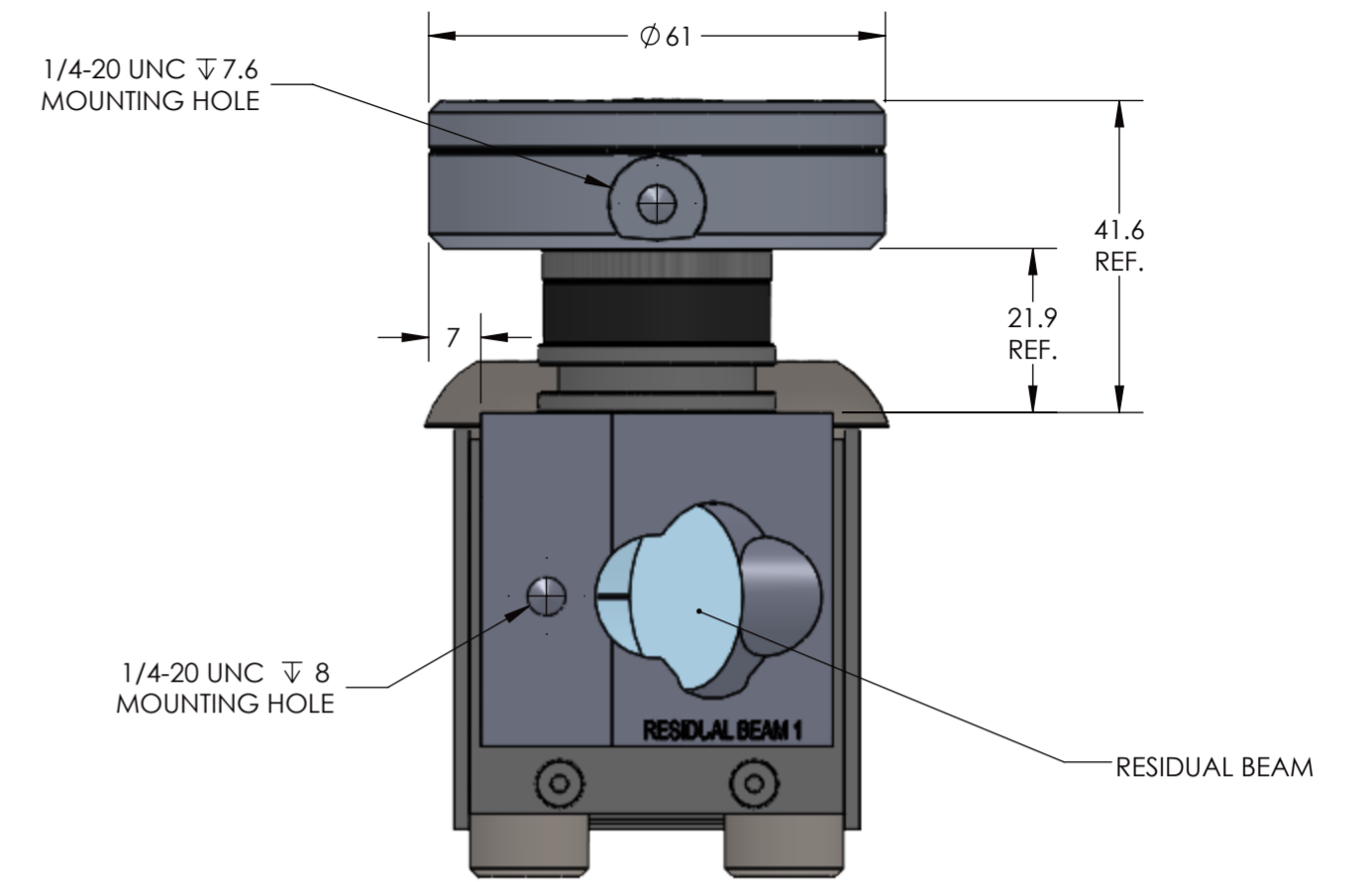
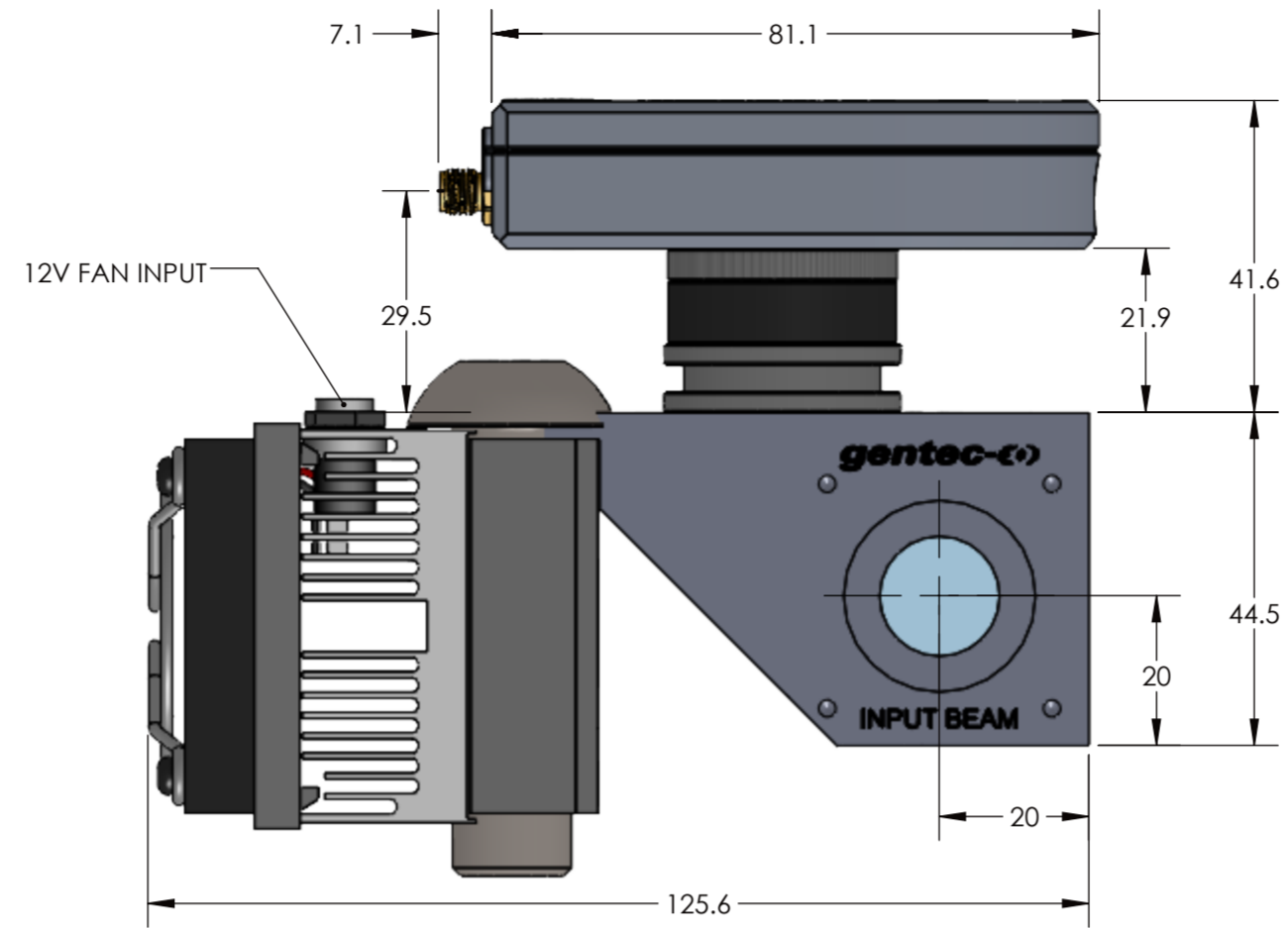
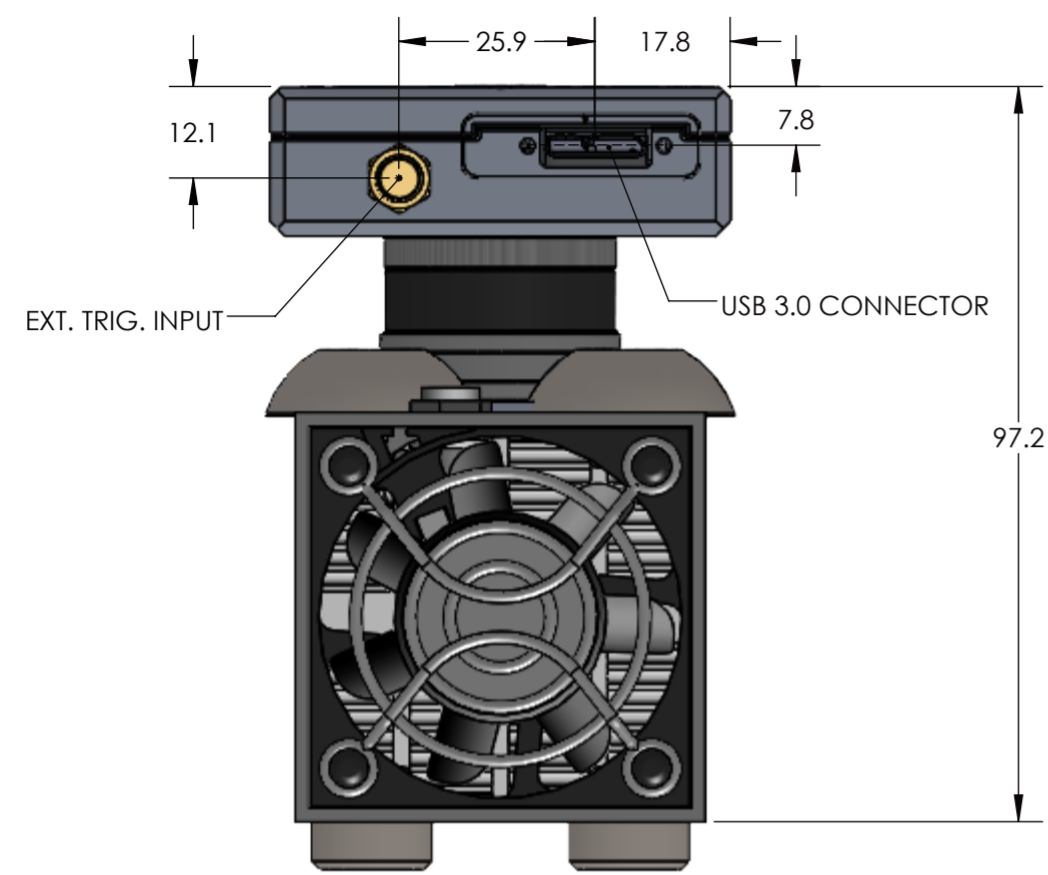


REF.	REVISION	DATE	VER	APP
C	MINOR CORRECTION	2024/02/26	ST	MAS
B	SELON DCI-ACI-3459	2022/03/04	ST	
A	SPECIFICATION WITH BEAMAGE-4M ADDED	2018/02/26	SB	



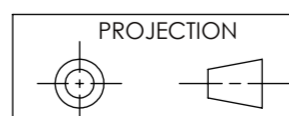
APP.  
VER.  
S. BOUCHARD  
LAYOUT DRAWING  
BA16K-500F-H9-D0  
BA ATTENUATOR SERIES

DATE 2018/01/12  
1:1  
SK-9789 P 1 OF 2 A2



NOTES:  
 1- DIMENSION IN mm.  
 2- THIS IS ONLY AN EXAMPLE. THE COMPLETE ASSEMBLY MAY CHANGE DUE TO SPECIFIC LASER PARAMETERS.  
 3- REFER TO SPECIFIC MANUAL FOR DETECTOR AND BEAMAGE-4M CABLES LENGTH.

**IMPORTANT:**  
 THIS DOCUMENT IS PROPERTY OF GENTEC ELECTRO-OPTICS, IT CANNOT BE DISTRIBUTED, USED OR REPRODUCED IN WHOLE OR IN PART WITHOUT EXPRESS WRITTEN AUTHORIZATION



REV.	C	SEE PAGE 1 FOR DETAILS
<b>gentec-ε</b>		
APP.	LAYOUT DRAWING	
VER.	BA16K-500F-H9-D0 + BEAMAGE 4M	
	BA ATTENUATOR SERIES	
	S. BOUCHARD	
DATE	2018/01/12	
	1:1	
<b>SK-9789</b>		<b>A2</b>
P 2 OF 2		