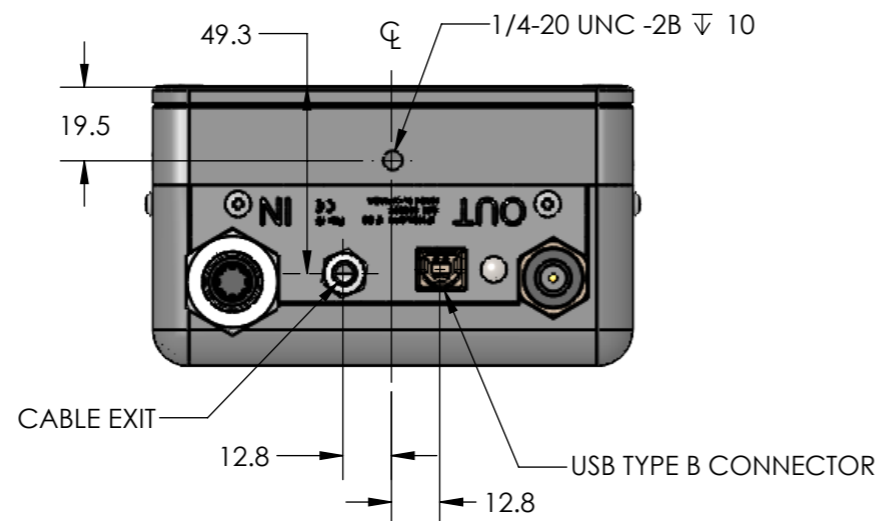
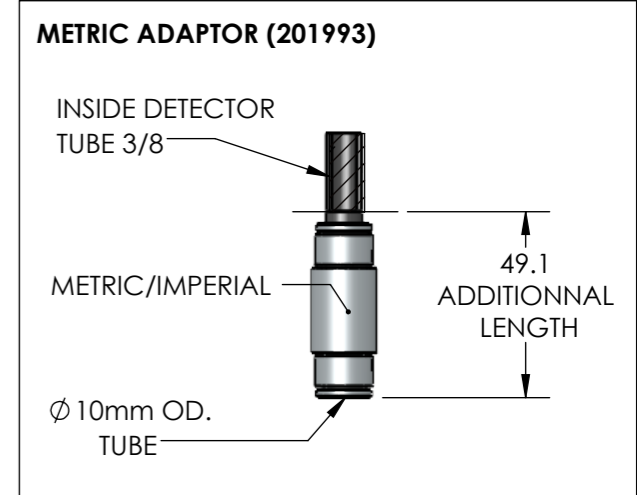


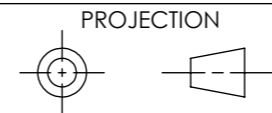
PUSH TO CONNECT FITTINGS FOR  $\phi 0.375$ " [9.53mm] OD TUBING



NOTE: DIMENSIONS IN mm

ML 2024-04-24  
 BT 2024-04-17  
 MAS 2024-02-28  
 J.P. 2024-03-26  
 ST 2024-02-27

**IMPORTANT:**  
 THIS DOCUMENT IS PROPERTY OF GENTEC ELECTRO-OPTICS, IT CANNOT BE DISTRIBUTED, USED OR REPRODUCED IN WHOLE OR IN PART WITHOUT EXPRESS WRITTEN AUTHORIZATION

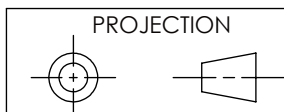


				LR
G	MINOR CORRECTION	2024/02/26	ST	MAS
REF.	REVISION	DATE	VER	APP
APP.				
VER.				
	LAYOUT DRAWING			
	HP100A-4KW-HE-D0			
	SK-8773			
	P1 OF 2			
	A3			

Ronald VH  
 DATE 2008/09/09  
 1:2


IMPORTANT:

CE DOCUMENT EST LA PROPRIETE DE GENTEC ELECTRO-OPTIQUE. IL NE DOIT PAS ETRE DEVOILE, UTILISE OU REPRODUIT EN TOUT OU EN PARTIE, SANS AUTORISATION ECRITE.



G	MINOR CORRECTION	2024/02/26	ST		
F	LOGO VIEW ADDED	2019/09/17	SB		
E	USB LABEL MODIFIED	2019/07/22	SB		
D	METRIC VERSION ADDED, 3KW BECOME 4KW	2017/07/12	SB		
C	OPTICAL APERTURE INCREASED TO 100mm	2011/07/12	RVH		
B	SIDE FASTENERS ADDED	2011/06/23	RVH		
A	GENERAL UPDATE	2009/11/18	RVH		
REF.	REVISION	DATE	VER	APP	

TOLERANCE	
DEC.	±
FRAC.	±
ANGLE	±
√	
APP.	
VER.	
RONALD V.H.	
DATE	2008/09/09
	N/A



REVISION HISTORY

HP100A-4KW-HE-D0

**SK-8773**

P2 OF 2

**A4**