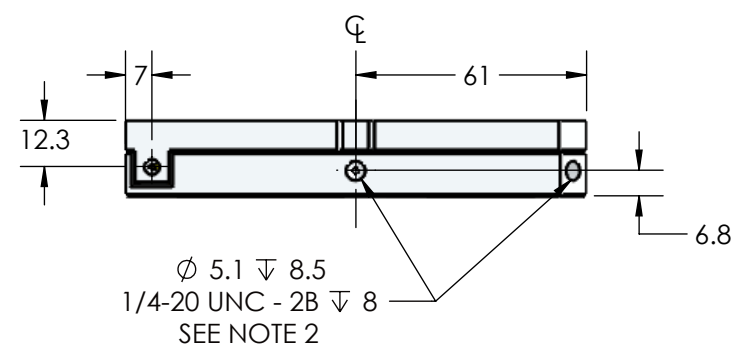
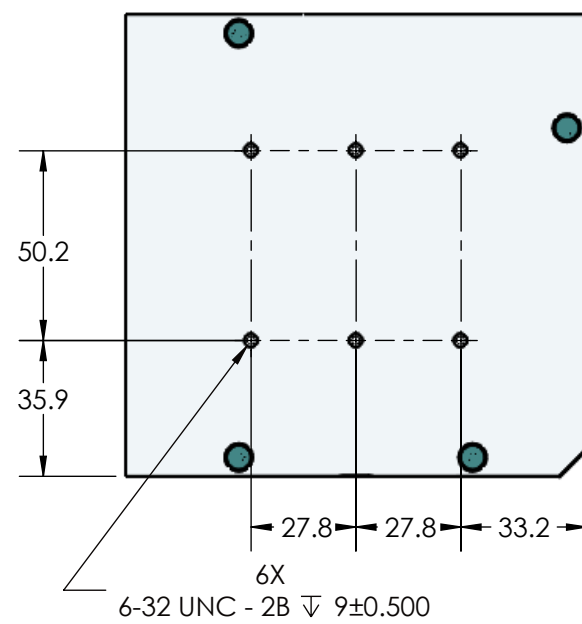
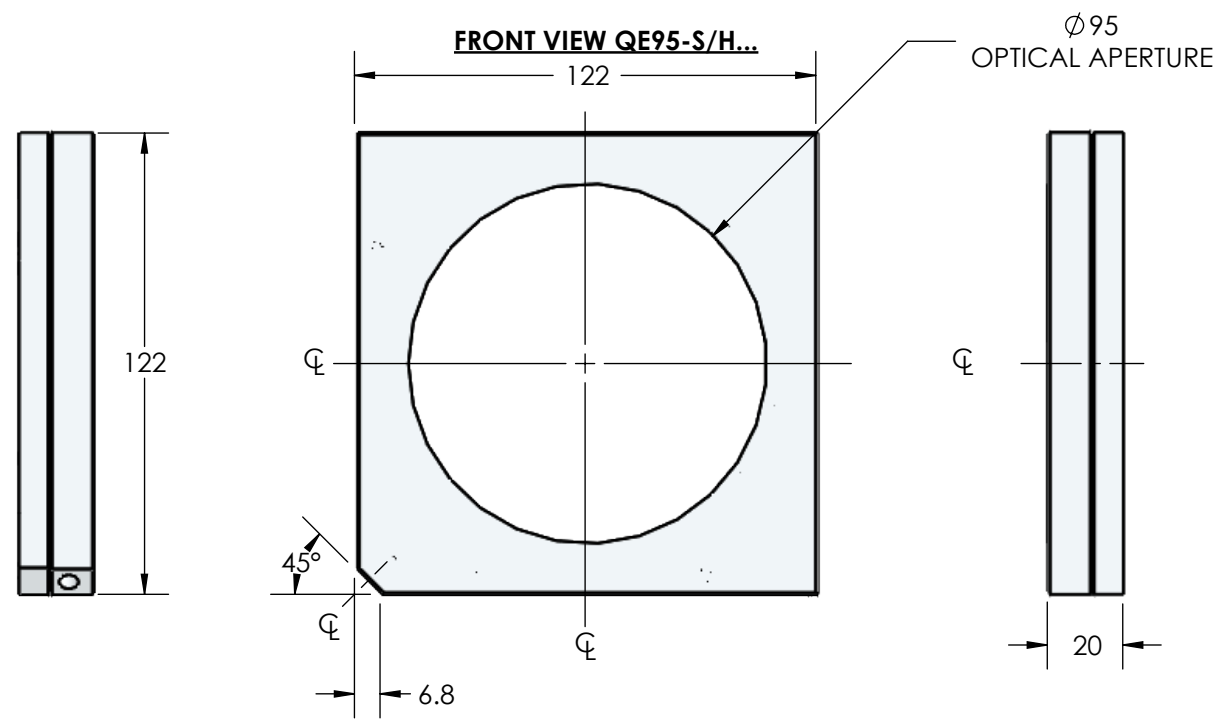
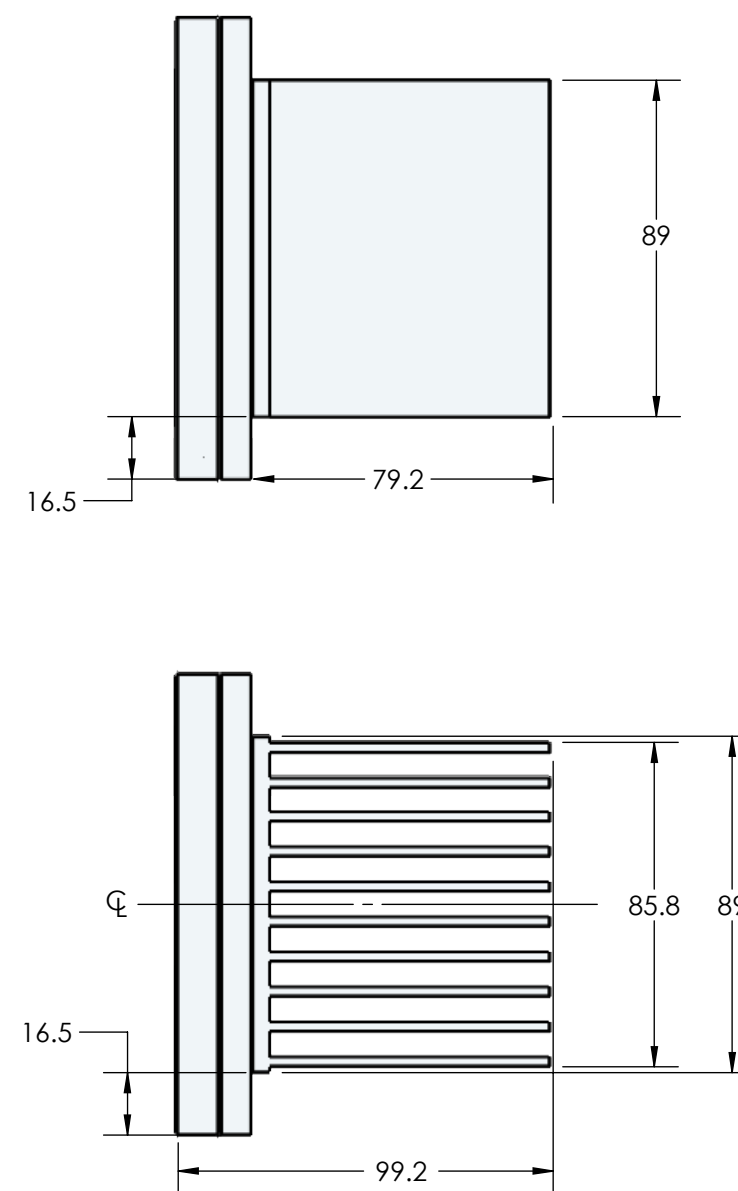


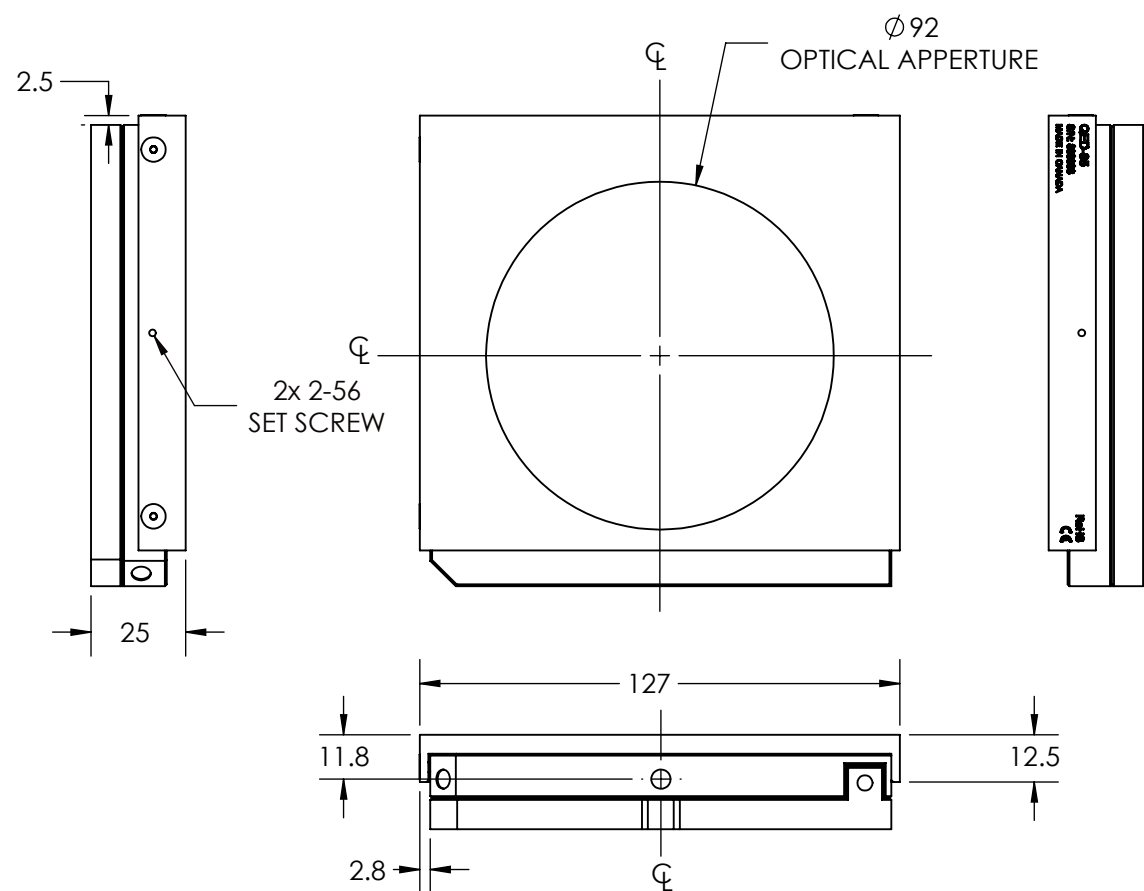
-----QE95xx-S-xx-----



QE95xx-H-xx

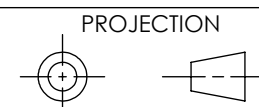


QE95xx-x-xx
+
QED95
ATTENUATOR



NOTE:
1- DIMENSIONS IN mm
2- FOR MOUNTING POST

IMPORTANT:
THIS DOCUMENT
IS PROPERTY OF
GENTEC ELECTRO-
OPTICS, IT CANNOT
BE DISTRIBUTED, USED
OR REPRODUCED IN
WHOLE OR IN PART
WITHOUT EXPRESS
WRITTEN AUTHORIZATION



PRB 2020-05-19 SB

| C | QED MODEL ADDED | 2020/05/13 | SB | | JA |
|------|-------------------------------|------------|-----|-----|----|
| B | CABLE REMOVED | 2018/08/03 | SB | | |
| A | DETAILS AND BOTTOM VIEW ADDED | 2010/02/16 | RVH | | |
| REF. | REVISION | DATE | VER | APP | |

gentec-EO

| | |
|-------|------------|
| APP. | |
| VER. | |
| DATE | 2010/06/16 |
| SCALE | 1:2 |

LAYOUT DRAWING
JOULEMETER AND ATTENUATOR
QE95 SERIES

SK-9076

A3