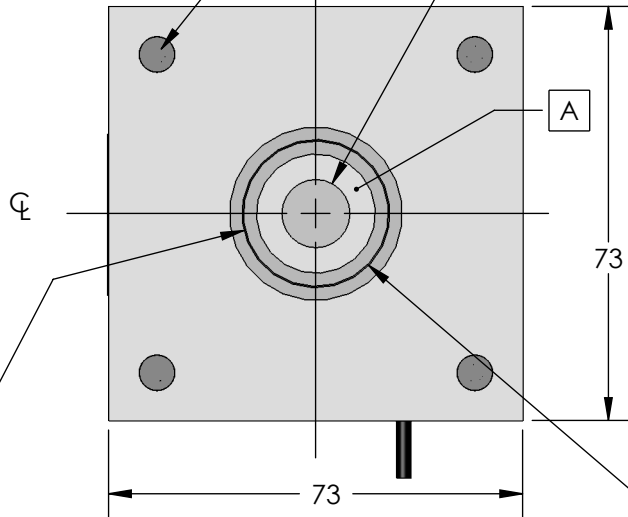


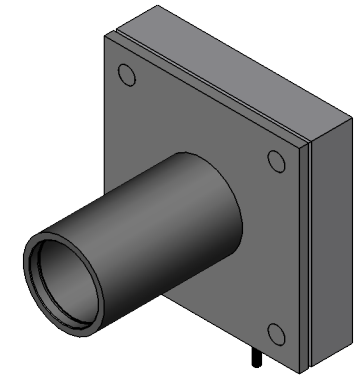
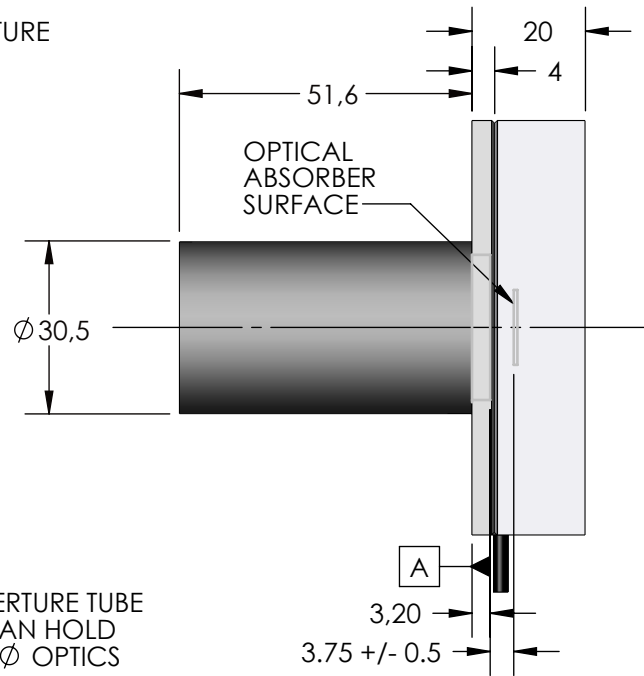
4X M3X0.5 - 6H ∇ 11.5 MAX.
(DO NOT REMOVE COVER)

OPTICAL APERTURE
 \varnothing 12

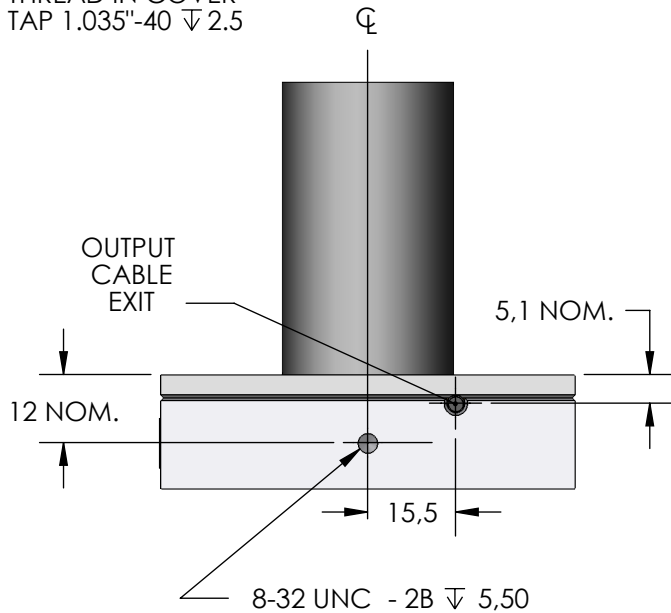


THREAD IN COVER
TAP 1.035"-40 ∇ 2.5

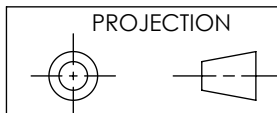
APERTURE TUBE
CAN HOLD
1" \varnothing OPTICS



NOTE: DIMENSIONS IN mm



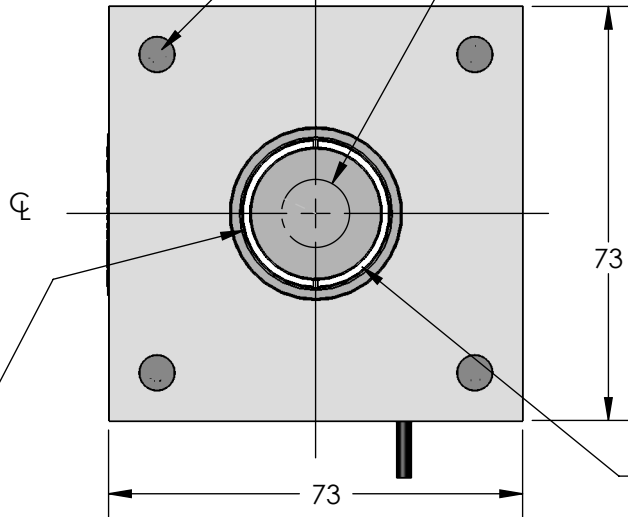
IMPORTANT:
THIS DOCUMENT
IS PROPERTY OF
GENTEC ELECTRO-
OPTICS, IT CANNOT
BE DISTRIBUTED, USED
OR REPRODUCED IN
WHOLE OR IN PART
WITHOUT EXPRESS
WRITTEN AUTHORIZATION



E	BECOMES XLP12-3S-H2; XLPF12-3S-H2 ADDED	2016/03/23	RVH		
REF.	REVISION	DATE	VER	APP	
TOLERANCE					
DEC.	\pm				
FRAC.	\pm				
ANGLE	\pm	LAYOUT DRAWING			
APP.		XLP12-3S-H2			
VER.					
	Ronald VH				
DATE	13/03/2007	SK-8698		A4	
	1:1	P1 OF 3			

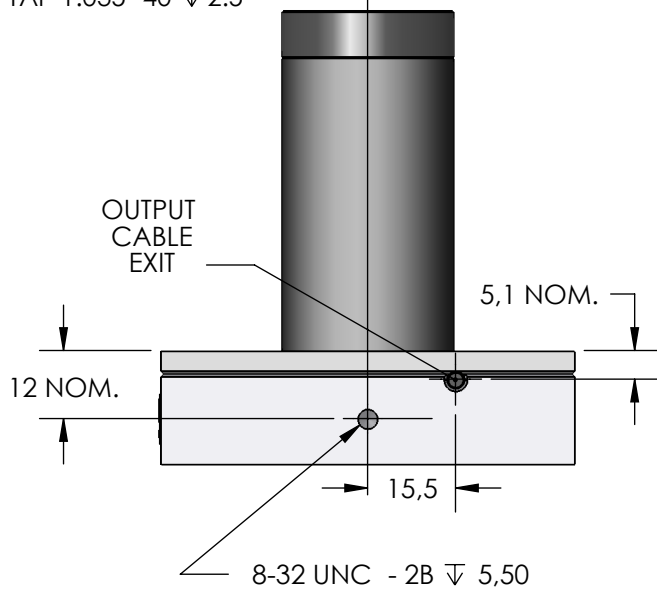
4X M3X0.5 - 6H ∇ 11.5 MAX.
(DO NOT REMOVE COVER)

OPTICAL APERTURE
 $\varnothing 12$



1" \varnothing FILTER
IN HOLDER

THREAD IN COVER
TAP 1.035"-40 ∇ 2.5



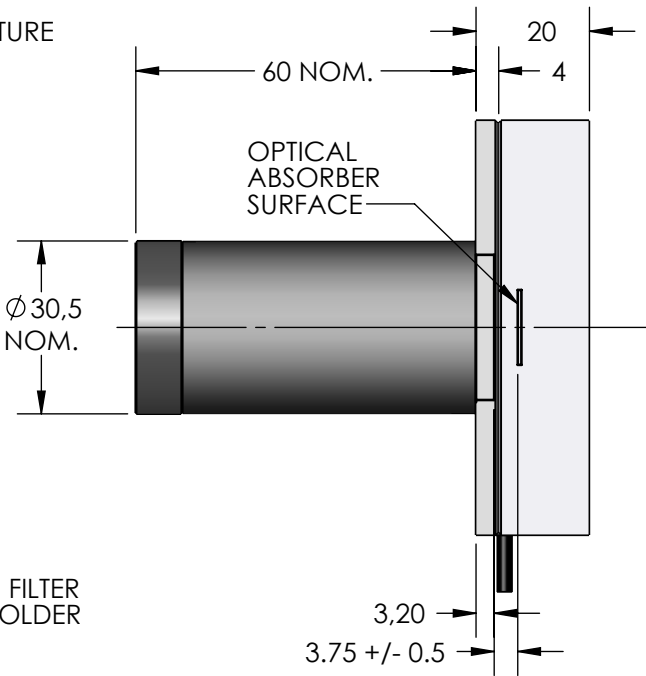
OUTPUT
CABLE
EXIT

5,1 NOM.

12 NOM.

15,5

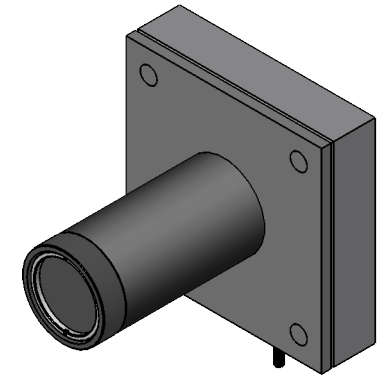
8-32 UNC - 2B ∇ 5,50



OPTICAL
ABSORBER
SURFACE

$\varnothing 30,5$
NOM.

3,20
3,75 +/- 0,5

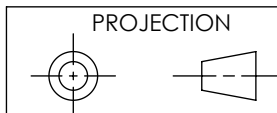


NOTE: DIMENSIONS IN mm

IMPORTANT:

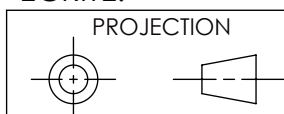
**THIS DOCUMENT
IS PROPERTY OF
GENTEC ELECTRO-
OPTICS, IT CANNOT
BE DISTRIBUTED, USED
OR REPRODUCED IN
WHOLE OR IN PART
WITHOUT EXPRESS
WRITTEN AUTHORIZATION**


REVISION	E	SEE PAGE 1 FOR DETAILS
TOLERANCE		gentec-EO
DEC.	\pm	
FRAC.	\pm	
ANGLE	\pm	
SEE PAGE 1 FOR APPROVALS		LAYOUT DRAWING
RonaldVH		XLPF12-3S-H2
DATE	13/03/2007	SK-8698
1:1		
PROJECTION		P2 OF 3
		A4



IMPORTANT:

CE DOCUMENT EST LA PROPRIETE DE GENTEC ELECTRO-OPTIQUE. IL NE DOIT PAS ETRE DEVOILE, UTILISE OU REPRODUIT EN TOUT OU EN PARTIE, SANS AUTORISATION ECRITE.



E	BECOMES XLP12-3S-H2; XLPF12-3S-H2 ADDED	2016/03/23	RVH		
D	DEPTH OF ABSORBER SURFACE ADDED	2009/05/22	RVH		
C	THREAD INFORMATION ADDED	2009/01/22	RVH		
B	APERTURE TUBE MODIFIED	2007/07/05	RVH		
A	THICK. INCR. BY 2mm, NON EXITING THREADS	2007/03/14	RVH		
REF.	REVISION	DATE	VER	APP	
TOLERANCE		 <p>LAYOUT DRAWING</p> <p>XLP12-3S-H2 / XLPF-3S-H2</p>			
DEC.	±				
FRAC.	±				
ANGLE	±				
√					
APP.					
VER.					
	— Ronald VH				
DATE	13/03/2007	SK-8698		P3 OF 3	A4
	N/A				