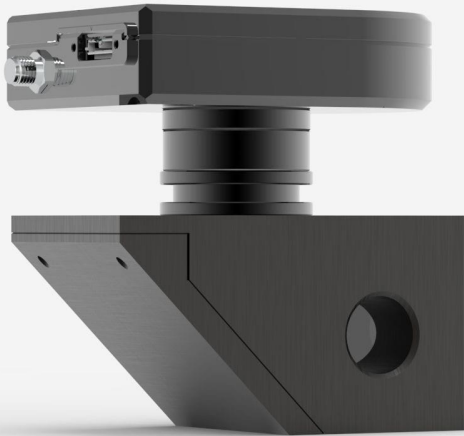


BA16-60S

Optical attenuator, 16 mm Ø, up to 60W.



주요 특징

MANAGE THE LASER POWER

CMOS sensors have low saturation levels as well as low damage thresholds. It is thus very important that you control your laser power to get the best measurement possible and avoid damaging the BEAMAGE camera.

SAMPLE YOUR LASER BEAM

The BA series optical attenuators use Fresnel reflection on two orthogonal wedges to pick off a small fraction of the input beam. The incoming beam polarization state and irradiance are preserved.

MANY POSSIBLE USES

- Monitor power and beam profile simultaneously
- Polarization insensitive beam-splitter with no back-reflections
- Optical pick-off for use with our energy or power detectors
- Attenuator for our high sensitivity detectors like M6 series and PH series

호환 스탠드

[STAND-S-233](#)

사양

계측 성능	
스펙트럼 범위	200 - 2100 nm
등가 감쇠	1/1700
내장 파워 검출기	N/A
광학 웨지 소재	UV 용융 실리카(비 코팅)
잔여 빔 편차	5.6°
편광 보정	있음(직각 웨지 쌍)
손상 한계	
최대 파워	60 W
물리적 특성	
구경 지름	16 mm
치수	45H x 47W x 81D mm
중량	0.26 kg
마운트 스탠드	SM1
어댑터 포함	SM1 외부 나사 튜브
ORDERING INFORMATION	
BA16-60S	203791

INTERESTED IN THIS PRODUCT?

견적받기

Find your local sales representative at gentec-eo.com/contact-us