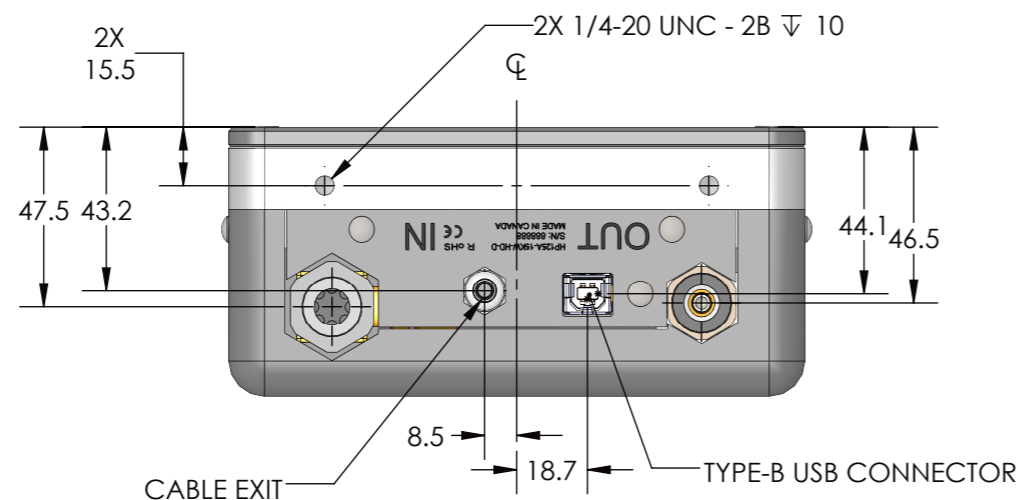
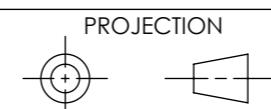


PUSH TO CONNECT FITTING FOR  $\varnothing 0.375$ " [9.53mm] OD TUBING



NOTE: DIMENSION IN mm

**IMPORTANT:**  
THIS DOCUMENT IS PROPERTY OF GENTEC ELECTRO-OPTICS, IT CANNOT BE DISTRIBUTED, USED OR REPRODUCED IN WHOLE OR IN PART WITHOUT EXPRESS WRITTEN AUTHORIZATION



B	LOGO VIEW ADDED	2019/09/17	SB		
A	GENERAL UPDATE	2016/04/22	SB		
REF.	REVISION	DATE	VER	APP	



APP.	LAYOUT DRAWING	HP125A-15KW-HD	SK-9331	A3
VER.				
DATE	RONALD V.H.	2012/12/19	1:2	