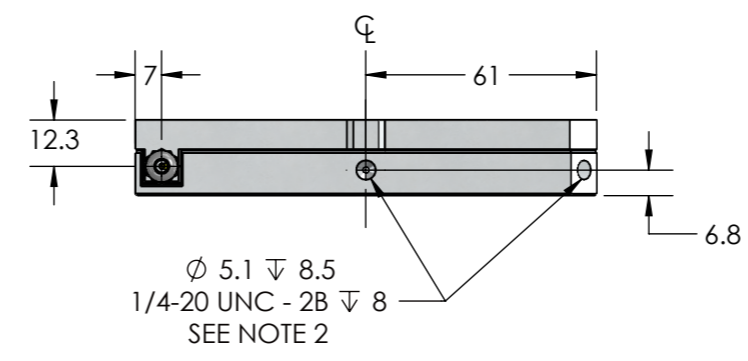
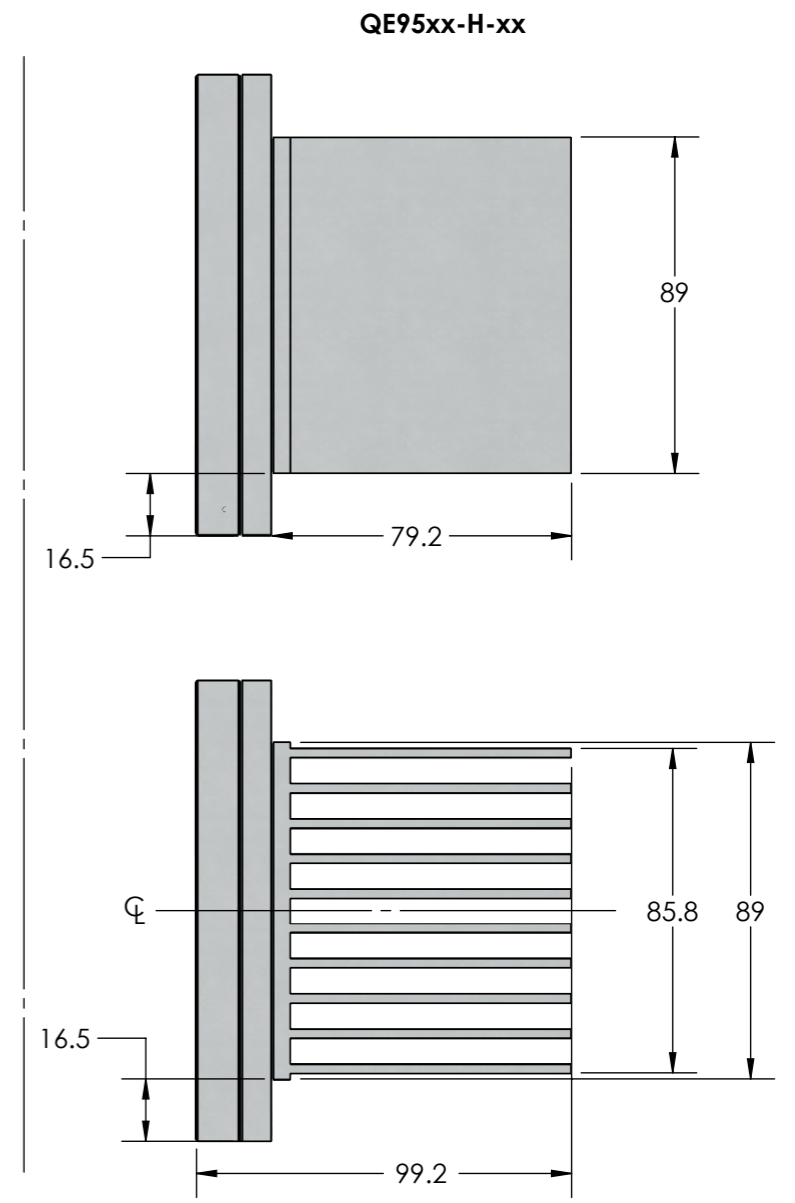
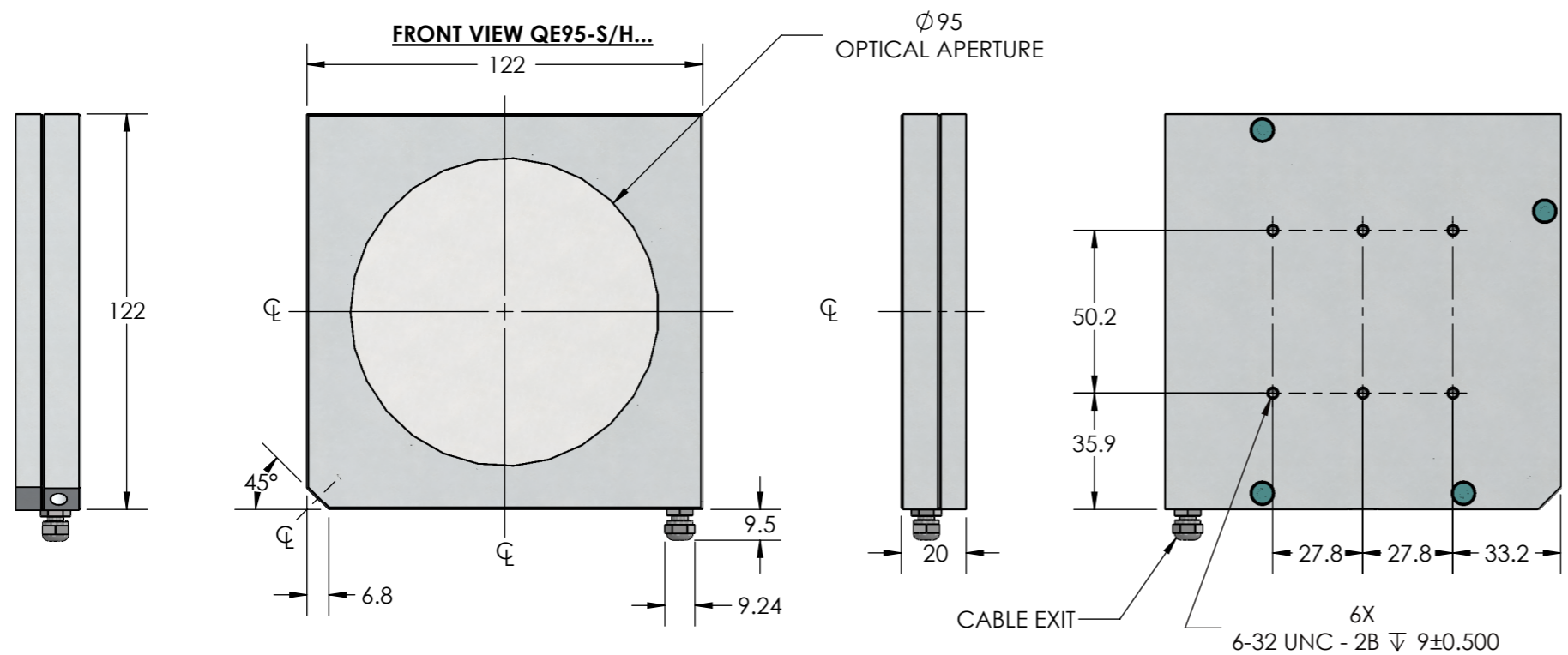
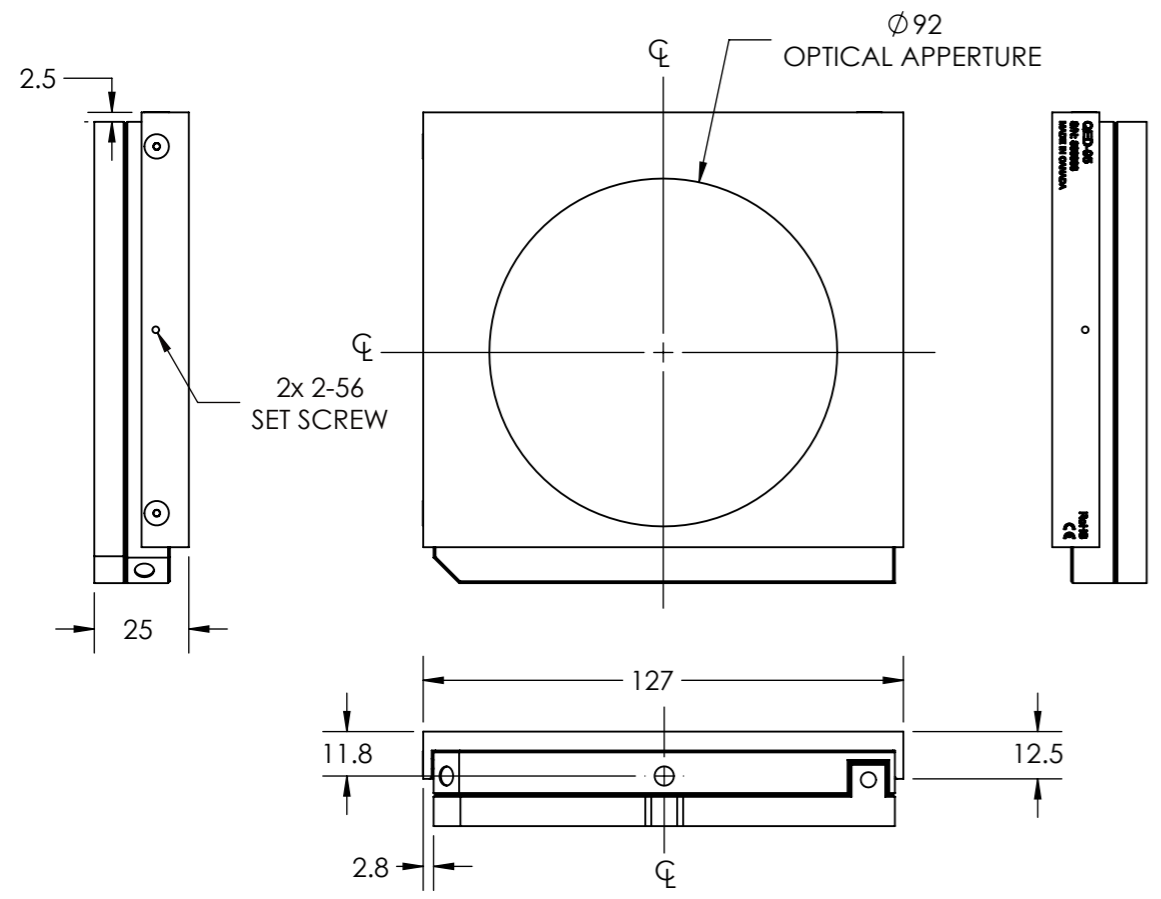


-----QE95xx-S-xx-----

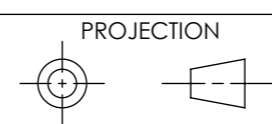


**QE95xx-x-xx  
+  
QED95  
ATTENUATOR**



**IMPORTANT:**  
THIS DOCUMENT IS PROPERTY OF GENTEC ELECTRO-OPTICS, IT CANNOT BE DISTRIBUTED, USED OR REPRODUCED IN WHOLE OR IN PART WITHOUT EXPRESS WRITTEN AUTHORIZATION

NOTE:  
1- DIMENSIONS IN mm  
2- FOR MOUNTING POST



J.P. 2021-12-20

ST 2021/12/15

REF.	REVISION	DATE	VER	APP
D	STRAIN RELIEF ADDED	2021/12/15	ST	J.P.
C	QED MODEL ADDED	2020/05/13	SB	
B	CABLE REMOVED	2018/08/03	SB	
A	DETAILS AND BOTTOM VIEW ADDED	2010/02/16	RVH	



APP.  
VER.  
Ronald VH  
DATE 2010/06/16  
1:2

LAYOUT DRAWING  
JouleMeter and Attenuator  
QE95 SERIES

SK-9076

A3