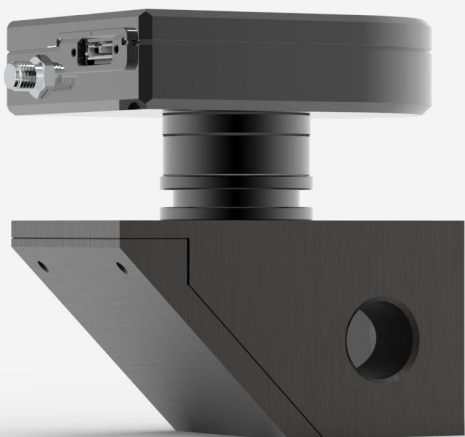


BA16-60S

Optical attenuator, 16 mm Ø, up to 60W.



PRODUCT FAMILY KEY FEATURES

MANAGE THE LASER POWER

CMOS sensors have low saturation levels as well as low damage thresholds. It is thus very important that you control your laser power to get the best measurement possible and avoid damaging the BEAMAGE camera.

SAMPLE YOUR LASER BEAM

The BA series optical attenuators use Fresnel reflection on two orthogonal wedges to pick off a small fraction of the input beam. The incoming beam polarization state and irradiance are preserved.

MANY POSSIBLE USES

- Monitor power and beam profile simultaneously
- Polarization insensitive beam-splitter with no back-reflections
- Optical pick-off for use with our energy or power detectors
- Attenuator for our high sensitivity detectors like M6 series and PH series

COMPATIBLE STAND

[STAND-S-233](#)

SPECIFICATIONS

MEASUREMENT CAPABILITIES

Spectral range	200 - 2100 nm
Equivalent attenuation	1/1700
Integrated power detector	N/A
Optical wedges material	UV Fused Silica (uncoated)
Residual beam deviation	5,6°
Polarization correction	Yes (pair of orthogonal wedges)

DAMAGE THRESHOLDS

Maximum average power density	10 MW/cm ²
Maximum energy density	10 J/cm ²
Maximum power	60 W

PHYSICAL CHARACTERISTICS

Aperture diameter	16 mm
Dimensions	45H x 47W x 81D mm
Weight	0.26 kg
Mounting thread	SM1
Adaptor included	SM1 external threaded tube

ORDERING INFORMATION

BA16-60S	203791
----------	--------

INTERESTED IN THIS PRODUCT?

GET A QUOTE

