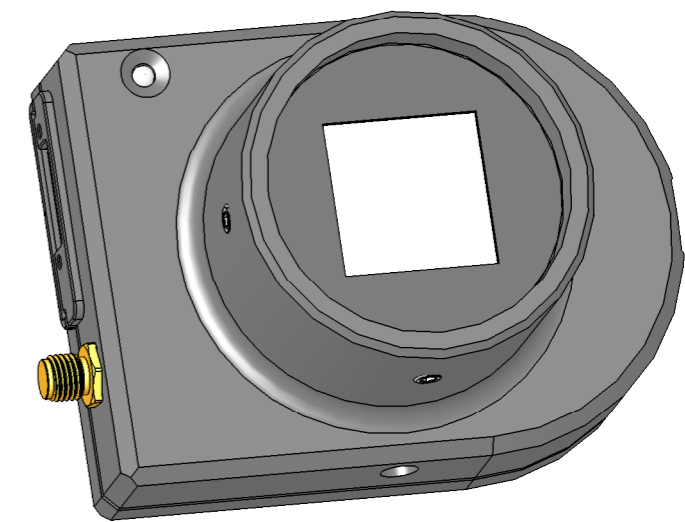
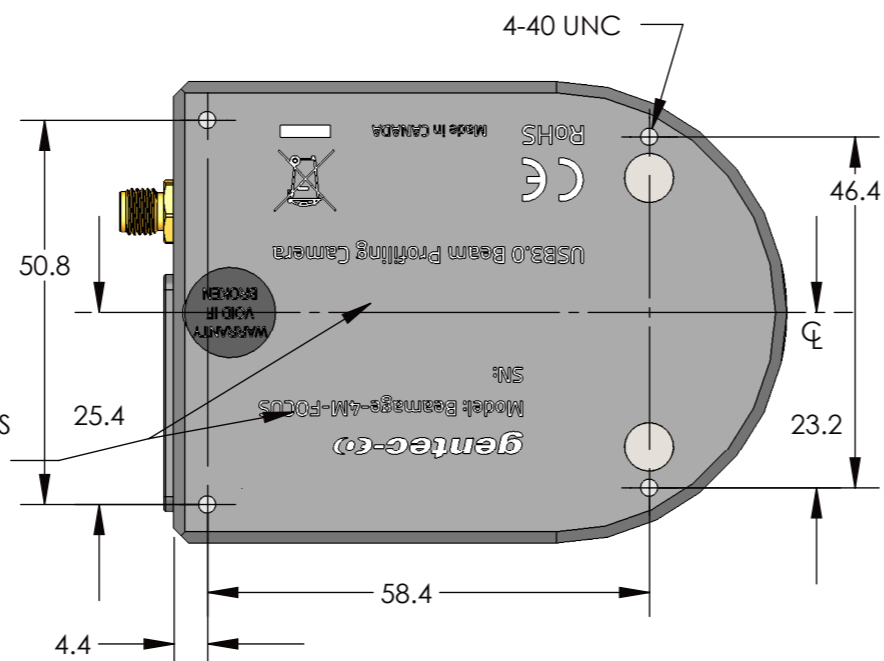
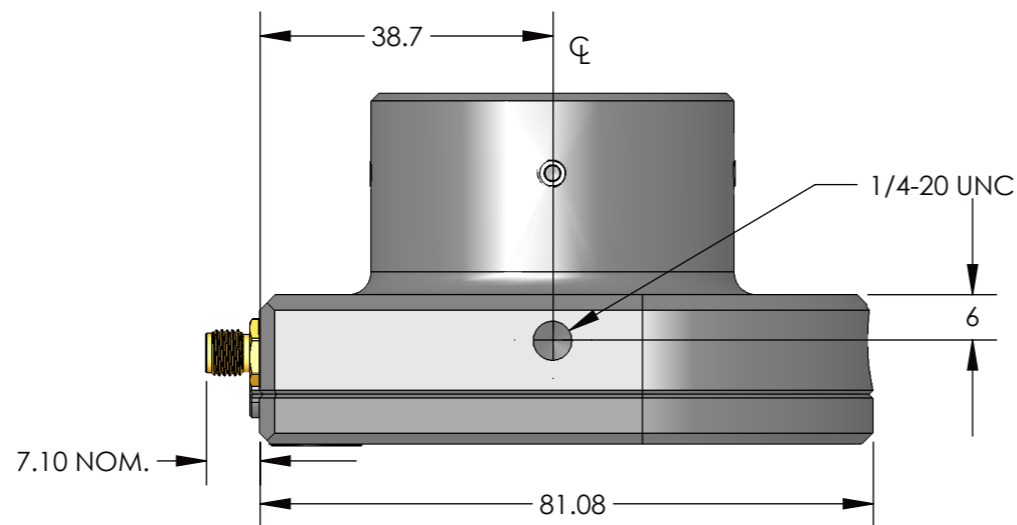


ENGRAVING FOR:
BEAMAGE_4M-FOCUS
AS REQUIRED

DÉTAIL A
ECHELLE 3 : 1



NOTE: DIMENSION IN mm

IMPORTANT:
THIS DOCUMENT
IS PROPERTY OF
GENTEC ELECTRO-
OPTICS, IT CANNOT
BE DISTRIBUTED, USED
OR REPRODUCED IN
WHOLE OR IN PART
WITHOUT EXPRESS
WRITTEN AUTHORIZATION



REF.	REVISION	DATE	VER	APP
gentec-EO				
LAYOUT DRAWING				
BEAMAGE-4M-FOCUS				
TOLERANCE				
DEC.	±			
FRAC.	±			
ANGLE	±			
APP.				
VER.				
S. BOUCHARD				
DATE	2016/04/20			
1:1				
SK-9577				A3