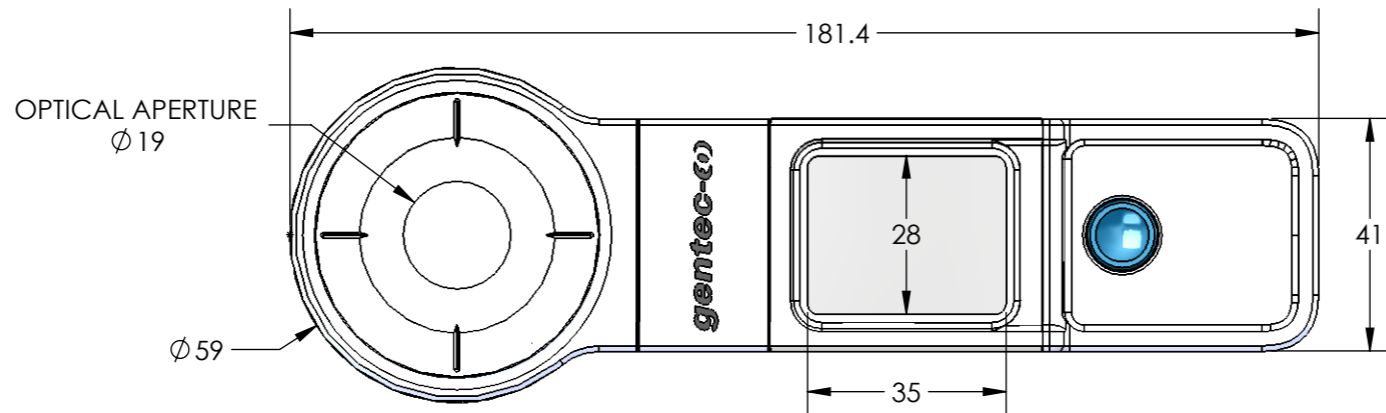
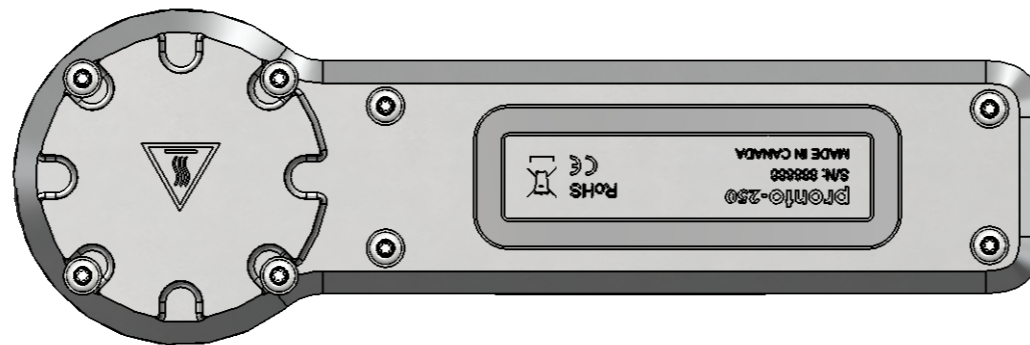
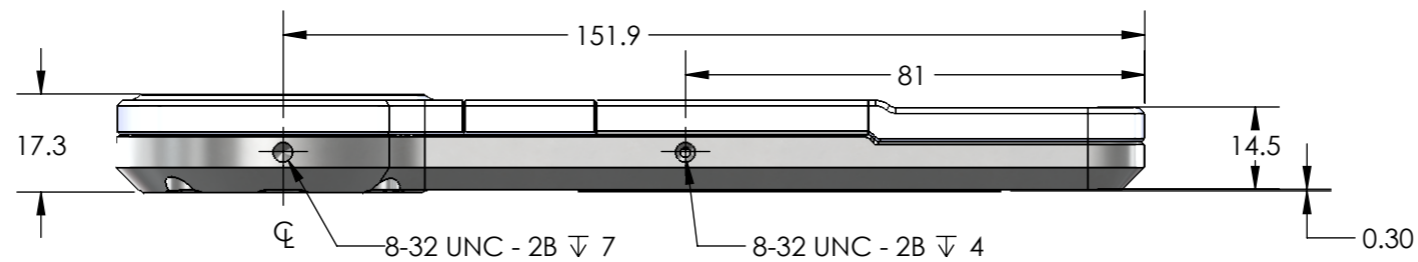
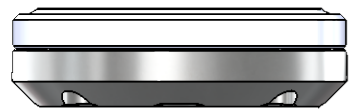


**PRONTO-250-PLUS TOP VIEW**

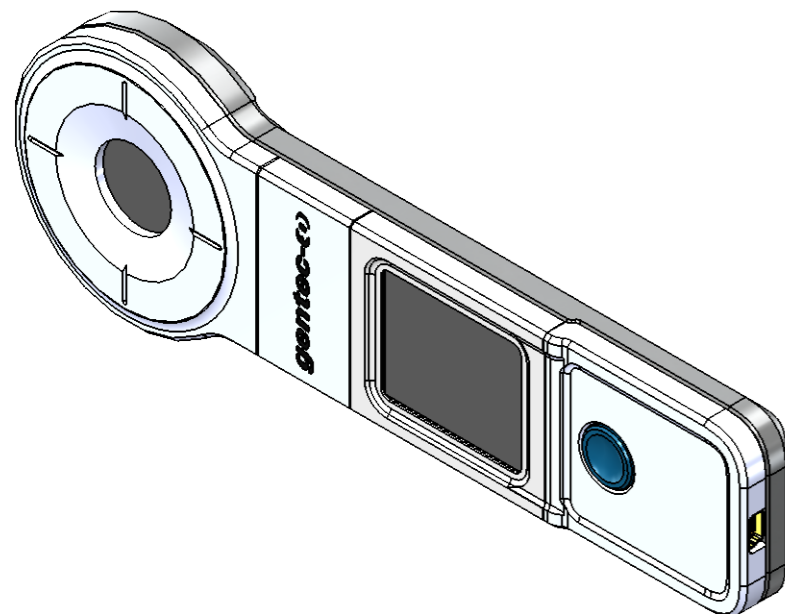


**PRONTO-250 TOP VIEW / 50-W5**

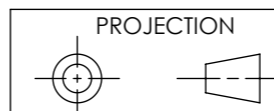



NOTE: DIMENSIONS IN mm

REF.	REVISION	DATE	VER	APP
D	ACCORDING TO ACI-DCI-2814	2018/08/28	SB	
C	ACCORDING TO ACI-DCI-2337	2016/05/25	RVH	
B	ACCORDING TO ACI-DCI-2218	2015/06/22	RVH	
A	ACCORDING TO ACI-DCI-2119	2015/06/22	RVH	



**IMPORTANT:**  
THIS DOCUMENT IS PROPERTY OF GENTEC ELECTRO-OPTICS, IT CANNOT BE DISTRIBUTED, USED OR REPRODUCED IN WHOLE OR IN PART WITHOUT EXPRESS WRITTEN AUTHORIZATION



APP. VER.				
				LAYOUT DRAWING PRONTO-250 / PRONTO-50-W5 PRONTO-250-PLUS
APP.	VER.	DATE	SK-9515	A3
— Ronald VH		2015/06/22		
		1:1		