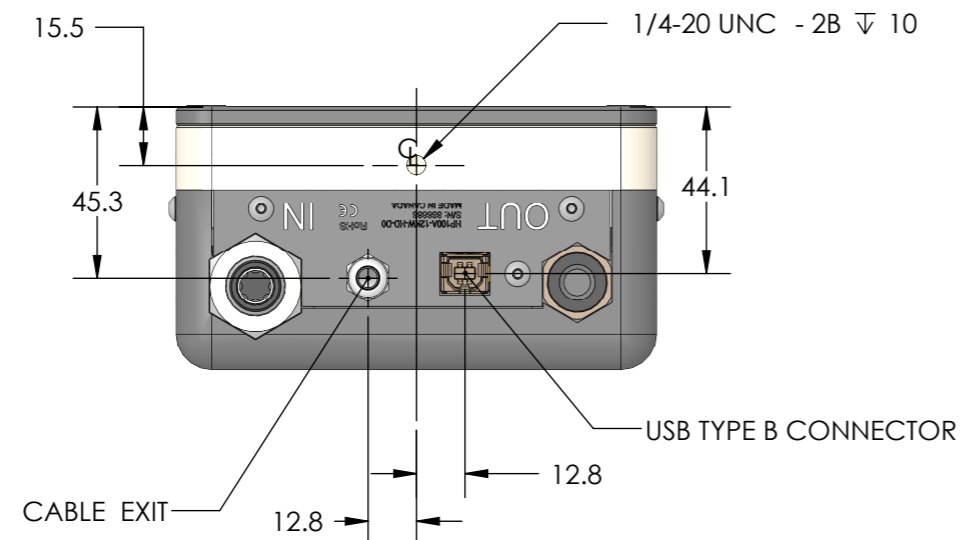
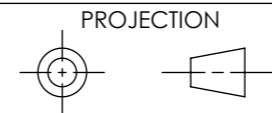


PUSH TO CONNECT FITTINGS FOR Ø0.375" [9.53mm] OD TUBING



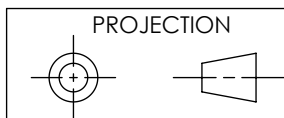
NOTE:  
1- DIMENSIONS IN mm

**IMPORTANT:**  
THIS DOCUMENT IS PROPERTY OF GENTEC ELECTRO-OPTICS, IT CANNOT BE DISTRIBUTED, USED OR REPRODUCED IN WHOLE OR IN PART WITHOUT EXPRESS WRITTEN AUTHORIZATION



G	LOGO VIEW ADDED	2019/09/17	SB		
REF.	REVISION	DATE	VER	APP	
		<b>gentec-eo</b>			
APP.	LAYOUT DRAWING				
VER.	HP100A-12KW-HD-D0				
	Ronald VH				
DATE	2010/12/14				
	1:2	<b>SK-9077</b>		<b>A3</b>	
				P 1 OF 2	

**IMPORTANT:**  
**THIS DOCUMENT**  
**IS PROPERTY OF**  
**GENTEC ELECTRO-**  
**OPTICS, IT CANNOT**  
**BE DISTRIBUTED, USED**  
**OR REPRODUCED IN**  
**WHOLE OR IN PART**  
**WITHOUT EXPRESS**  
**WRITTEN AUTHORIZATION**



REF.	REVISION	DATE	VER	APP
G	LOGO VIEW ADDED	2019/09/17	SB	
F	USB LABEL MODIFIED	2019/07/22	SB	
E	REF. TO DB-15 REMOVED	2013/03/14	RVH	
D	METRIC ADAPTERS ADDED P2	2012/10/16	RVH	
C	SIDE FASTENERS ADDED	2011/06/23	RVH	
B	MODIFIED ACCORDING TO DCI-1326	2011/04/13	RVH	
A	BOTTOM VIEW ADDED	2010/15/12	RVH	



APP.	<p>REVISION HISTORY</p> <p>HP-100A-12KW-HD-D0</p>
VER.	
2010/12/14	

DATE	2019/07/22
7:8	

**SK-9077**