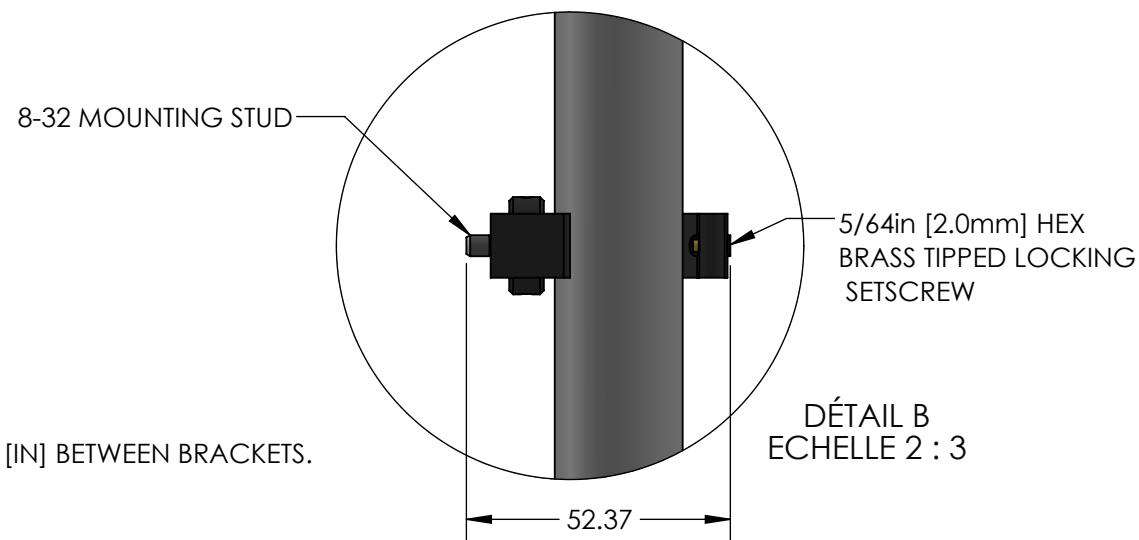
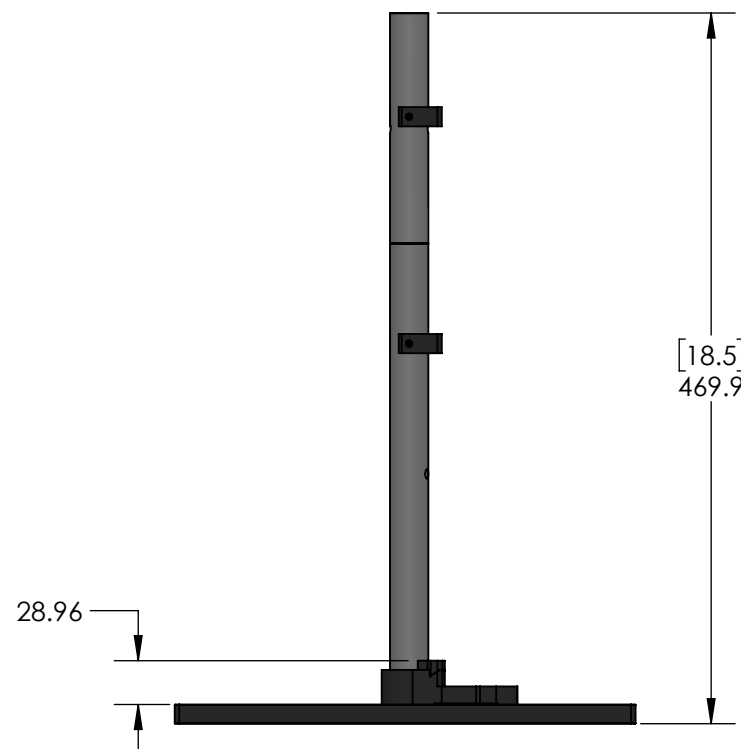
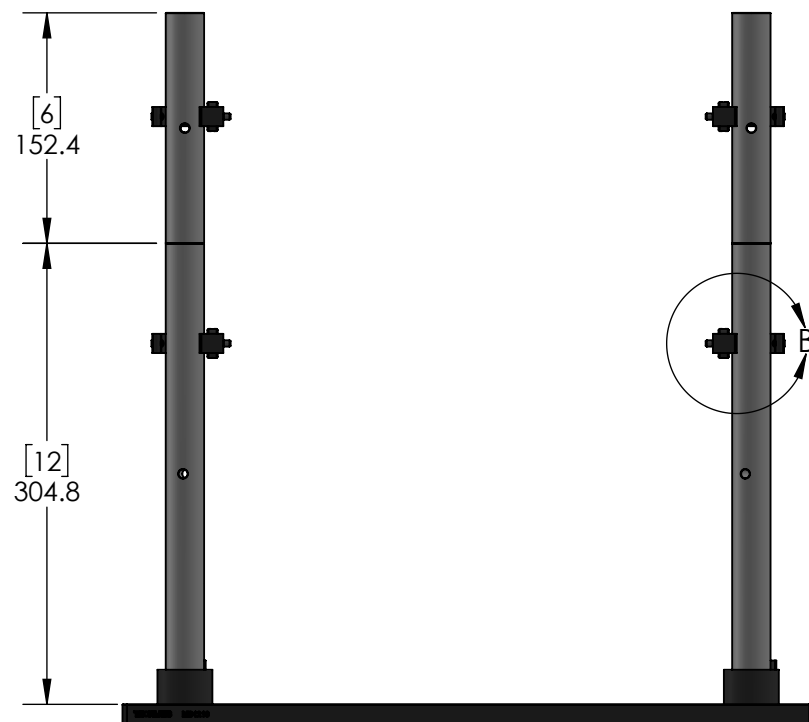
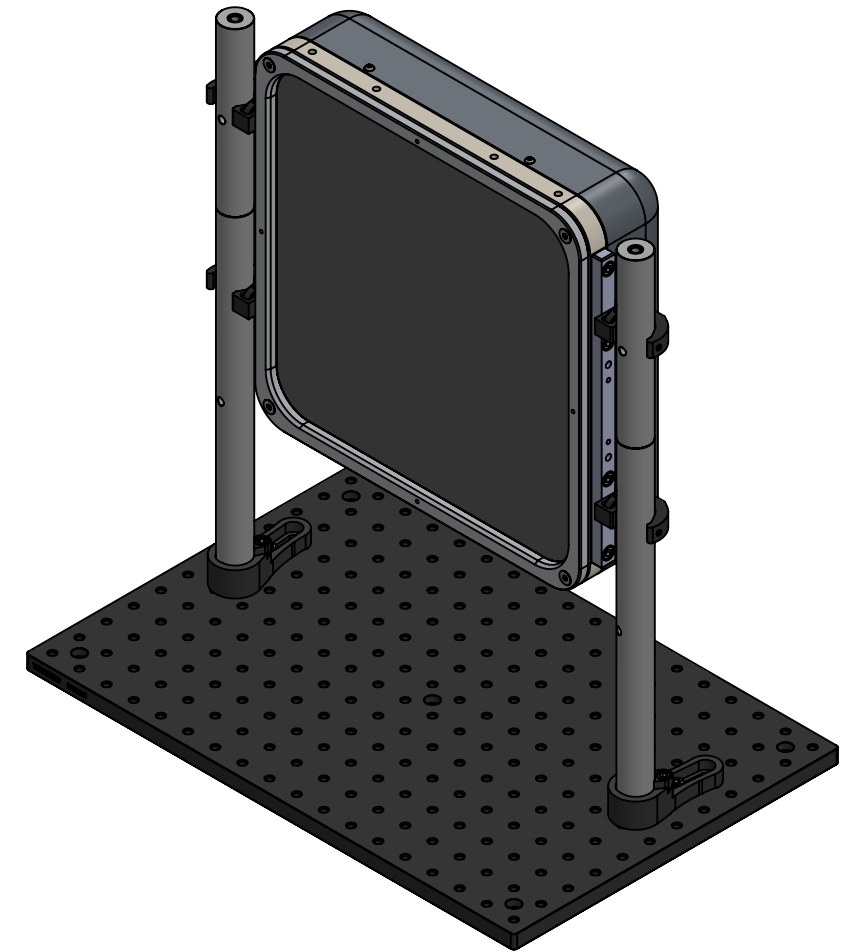


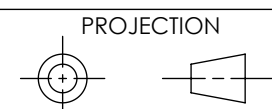
DÉTAIL A
ECHELLE 1 : 2



DÉTAIL B
ECHELLE 2 : 3

NOTE:
DIMENSIONS IN mm, INCHES [IN] BETWEEN BRACKETS.

IMPORTANT:
THIS DOCUMENT
IS PROPERTY OF
GENTEC ELECTRO-
OPTICS, IT CANNOT
BE DISTRIBUTED, USED
OR REPRODUCED IN
WHOLE OR IN PART
WITHOUT EXPRESS
WRITTEN AUTHORIZATION



ML 2021-09-23

REF.	REVISION	DATE	VER	APP
TOLERANCE				
DEC.	±			
FRAC.	±			
ANGLE	±			
√ 2021-09-10				
APP.	<i>J.P.</i> <i>RP</i>	LAYOUT DRAWING STAND HP280A-30KW HP SERIES		
VER.	<i>RL</i> <i>PRB</i>			
S.THIVIERGE <i>ST</i>				
DATE	2021/09/07			
1:5		SK-10232		A3