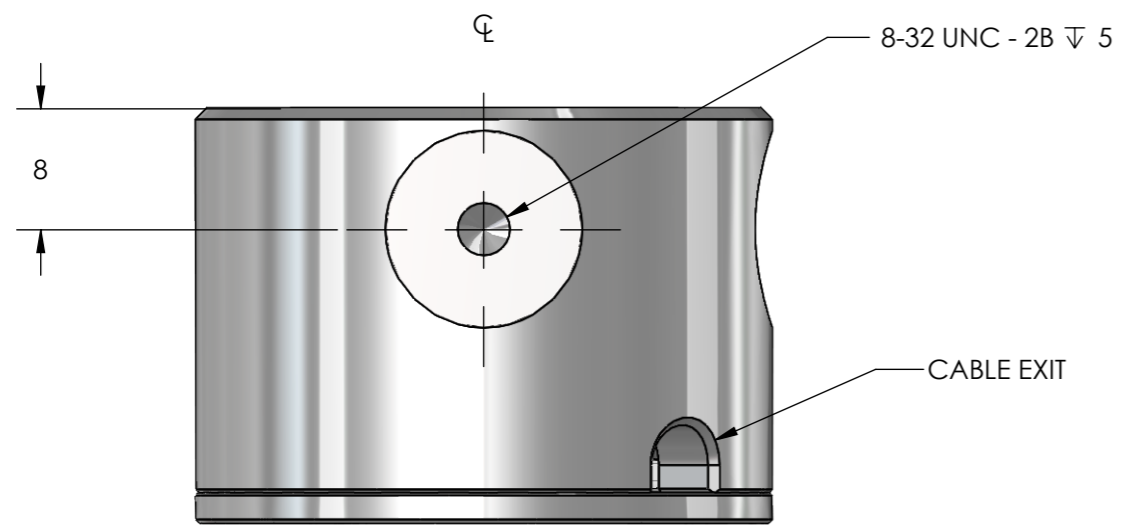


DETECTOR	DISTANCE TO SENSOR FACE
PH10B-Si	13.7
PH100-Si	
PH100-Si UV	
PE10B-Si	10.5
PH5B-Ge	
PH20-Ge	
QE8SP-B-MT	11.6
QE8SP-B-BL	
UM9B-BL	9



NOTE: DIMENSIONS IN mm.

2021-02-25  
 2021/02/12

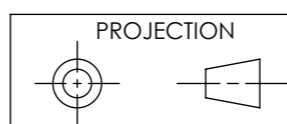
**IMPORTANT:**  
 THIS DOCUMENT  
 IS PROPERTY OF  
 GENTEC ELECTRO-  
 OPTICS, IT CANNOT  
 BE DISTRIBUTED, USED  
 OR REPRODUCED IN  
 WHOLE OR IN PART  
 WITHOUT EXPRESS  
 WRITTEN AUTHORIZATION

REF.	REVISION	DATE	VER	APP
C	METRIC THREAD M4 ADDED	21/02/08	ST	
B	DISTANCE TO SENSOR FACE ADDED	13/05/22	RVH	
A	CASE, CABLE EXIT MODIFIED	13/04/15	RVH	

TOLERANCE	
DEC.	$\pm$
FRAC.	$\pm$
ANGLE	$\pm$
APP.	
VER.	
DATE	Ronald VH
DATE	2012/01/11
	2:1



LAYOUT DRAWING  
 QE8, PHxB, PExB, UMxB  
 QE, PH, PE, UM series



**SK-9254**      **A3**