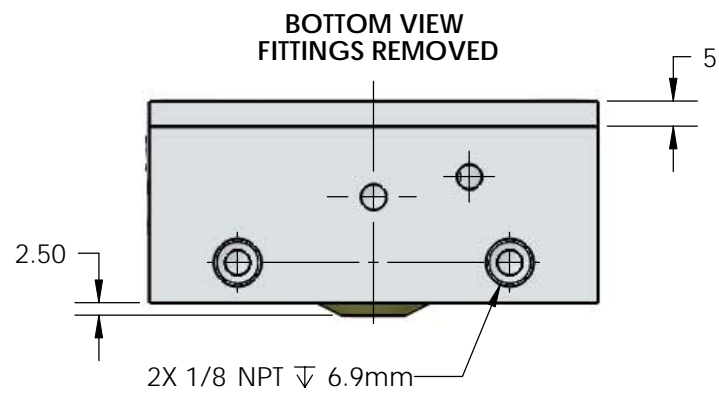
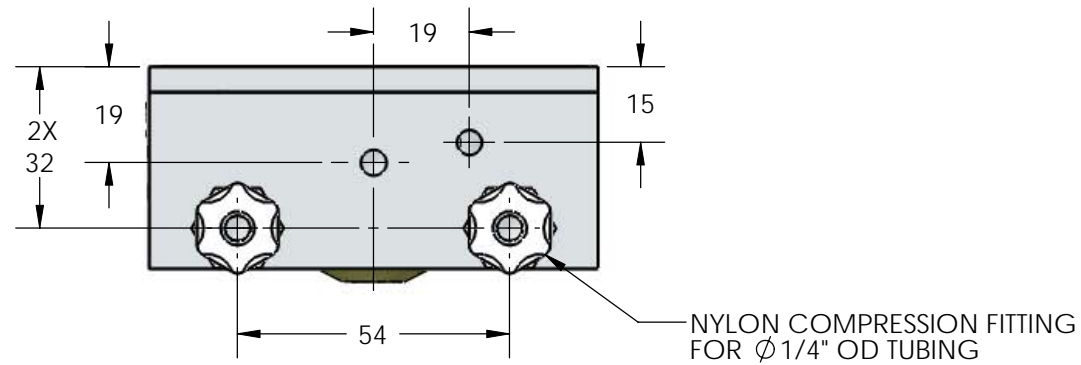
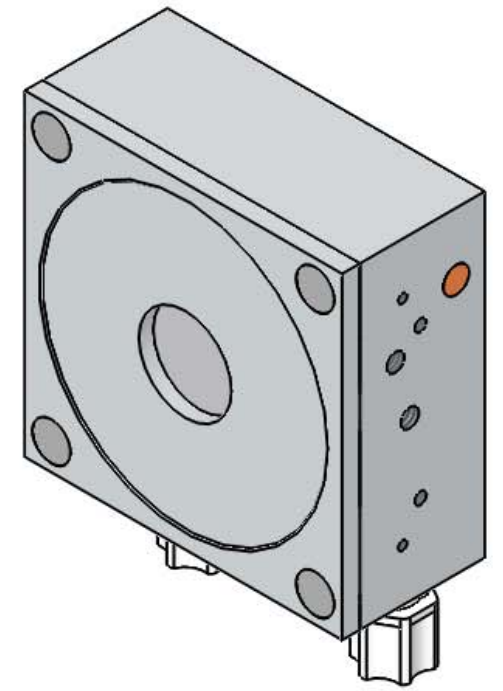
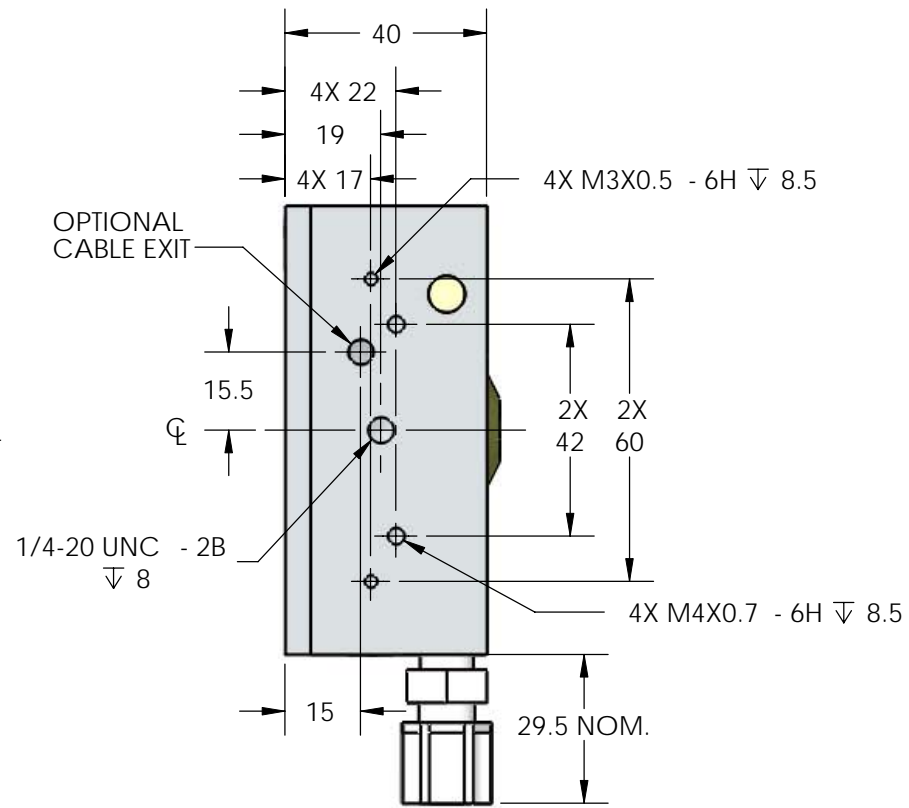
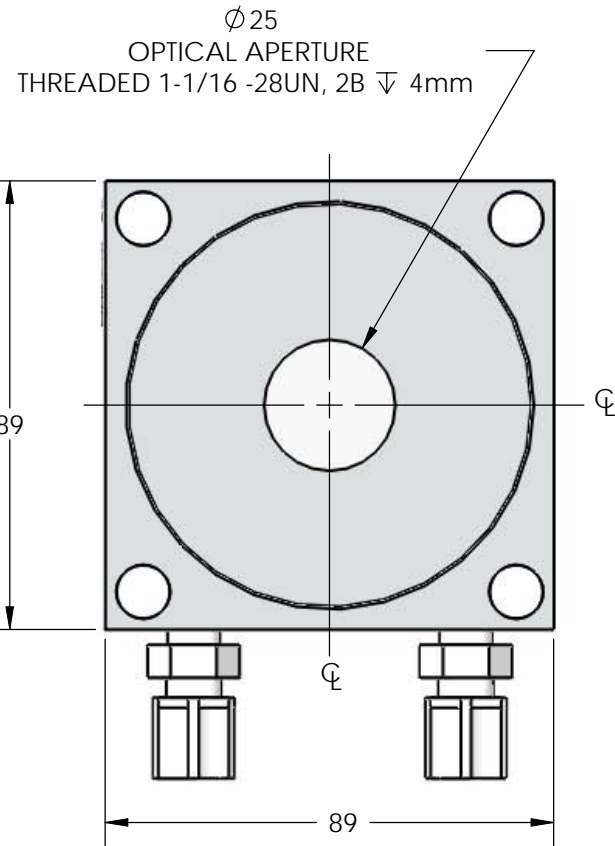
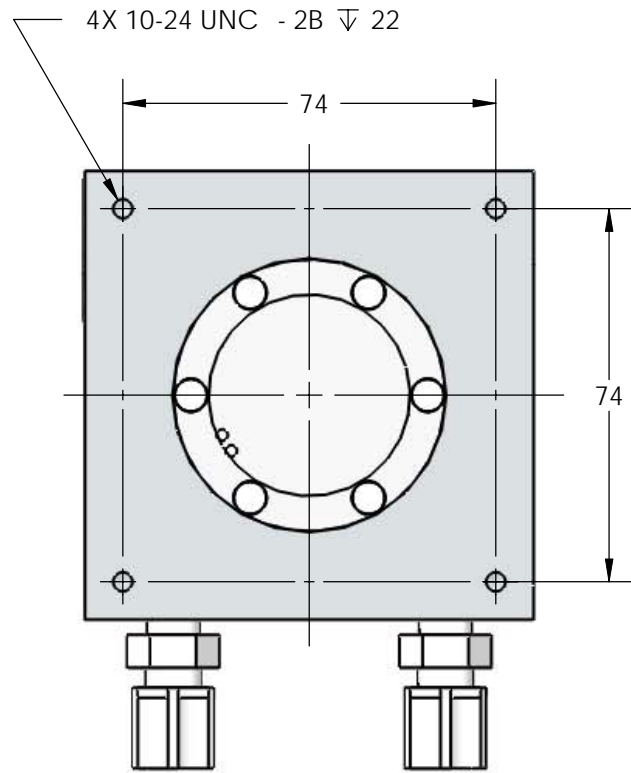
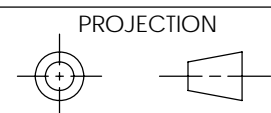


**MOUNTING FROM FRONT WITHOUT COVER**  
SEE NOTE 2



NOTES:  
1- DIMENSIONS IN mm  
2- FOR MOUNTING FROM THE FRONT WITHOUT A FRONT COVER THE WATTMETER MUST BE FASTENED FROM THE FRONT; USE FOUR 10-24 UNC - 2B FASTENERS.

**IMPORTANT:**  
THIS DOCUMENT IS PROPERTY OF GENTEC ELECTRO-OPTICS, IT CANNOT BE DISTRIBUTED, USED OR REPRODUCED IN WHOLE OR IN PART WITHOUT EXPRESS WRITTEN AUTHORIZATION



REF.	REVISION	DATE	VER	APP																																							
<table border="0"> <tr> <td style="border: none;">TOLERANCE</td> <td style="border: none;">±</td> <td colspan="3" rowspan="3" style="text-align: center; vertical-align: middle;"> </td> </tr> <tr> <td style="border: none;">DEC.</td> <td style="border: none;">±</td> </tr> <tr> <td style="border: none;">FRAC.</td> <td style="border: none;">±</td> </tr> <tr> <td style="border: none;">ANGLE</td> <td style="border: none;">±</td> <td colspan="3" style="text-align: center;">LAYOUT DRAWING</td> </tr> <tr> <td style="border: none;">APP.</td> <td colspan="4" style="text-align: center;">UP25M...</td> </tr> <tr> <td style="border: none;">VER.</td> <td colspan="4" style="text-align: center;">SK-9101</td> </tr> <tr> <td style="border: none;">Ronald VH</td> <td colspan="4" style="text-align: center;">A3</td> </tr> <tr> <td style="border: none;">DATE</td> <td colspan="4" style="text-align: center;">2011/02/15</td> </tr> <tr> <td style="border: none;">2:3</td> <td colspan="4"></td> </tr> </table>					TOLERANCE	±				DEC.	±	FRAC.	±	ANGLE	±	LAYOUT DRAWING			APP.	UP25M...				VER.	SK-9101				Ronald VH	A3				DATE	2011/02/15				2:3				
TOLERANCE	±																																										
DEC.	±																																										
FRAC.	±																																										
ANGLE	±	LAYOUT DRAWING																																									
APP.	UP25M...																																										
VER.	SK-9101																																										
Ronald VH	A3																																										
DATE	2011/02/15																																										
2:3																																											